

## Sensor/Actuator cable - SAC-M12MS/A-L-S/0,2PUR/A-L-S - 1500392

Please be informed that the data shown in this PDF Document is generated from our Online Catalog. Please find the complete data in the user's documentation. Our General Terms of Use for Downloads are valid (<http://download.phoenixcontact.com>)



Sensor/Actuator cable, 3-position, PUR/PVC, Black RAL 9005, Plug straight M12, with 1 LED, A-coded, connected with Z diode, on Valve connector A, with 1 LED, connected with Z diode and Valve connector A, with 1 LED, Cable length: 0.2 m

As illustrated but with straight male connector



### Key commercial data

Packing unit	1 1
Minimum order quantity	50 1
Weight per Piece (excluding packing)	88.4 GRM
Custom tariff number	85444290
Country of origin	Czech Republic

### Technical data

#### Dimensions

Length of cable	0.2 m
-----------------	-------

#### Ambient conditions

Degree of protection	IP67
----------------------	------

#### General

Rated current at 40°C	4 A
Rated voltage	24 V
Number of positions	3
Contact resistance	≤ 5 mΩ
Insulation resistance	≥ 100 MΩ
Status display	1 LED
Protective circuit/component	Z diode
Surge voltage category	II
Pollution degree	3

# Sensor/Actuator cable - SAC-M12MS/A-L-S/0,2PUR/A-L-S - 1500392

## Technical data

### General

Insertion/withdrawal cycles	≥ 100
-----------------------------	-------

### Material

Inflammability class according to UL 94	HB
Valve plug contact material	CuSn
Valve plug contact surface material	Ag
Valve plug contact insert material	PBT
Material housing valve plug	PBT
Sealing material	TPU (Flat gasket valve plug)

### Cable

Cable type	PUR/PVC black
Conductor cross section	0.75 mm <sup>2</sup>
Conductor structure signal line	24x 0.20 mm
Wire colors	Black 1, black 2, green/yellow
External sheath, color	Black RAL 9005
External cable diameter	5.90 mm
Outer sheath, material	PUR
Material, inner sheath	PVC

## Classifications

### eCl@ss

eCl@ss 4.0	27060306
eCl@ss 4.1	27060306
eCl@ss 5.0	27061801
eCl@ss 5.1	27061801
eCl@ss 6.0	27061801
eCl@ss 7.0	27061801
eCl@ss 8.0	27061801

### ETIM

ETIM 2.0	EC000830
ETIM 3.0	EC001855
ETIM 4.0	EC001855
ETIM 5.0	EC001855

### UNSPSC

UNSPSC 6.01	31251501
-------------	----------

# Sensor/Actuator cable - SAC-M12MS/A-L-S/0,2PUR/A-L-S - 1500392

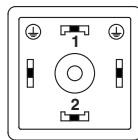
## Classifications

### UNSPSC

UNSPSC 7.0901	31251501
UNSPSC 11	31251501
UNSPSC 12.01	31251501
UNSPSC 13.2	31251501

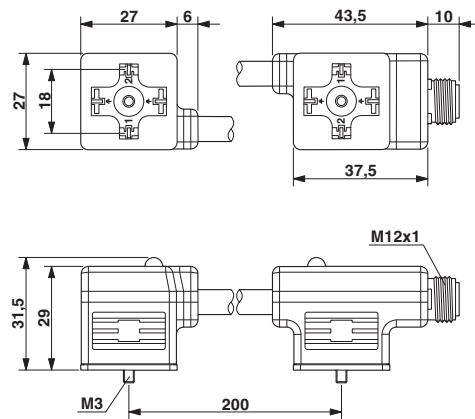
## Drawings

Schematic diagram

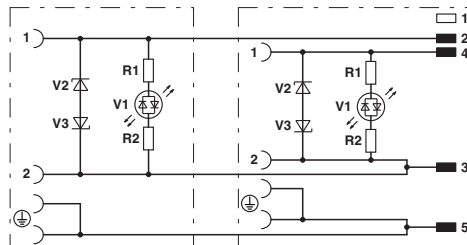


Valve connector pin assignment, type A

Dimensioned drawing



Circuit diagram



Wiring of double valve connector cable