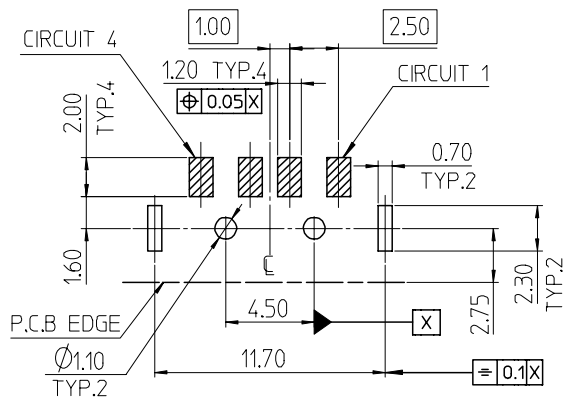
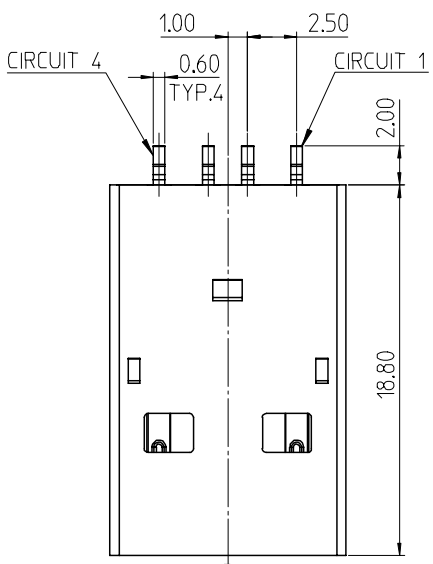
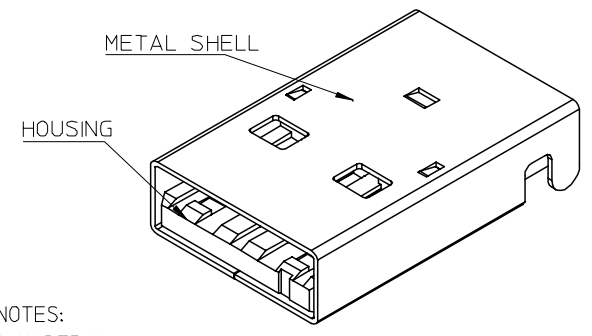
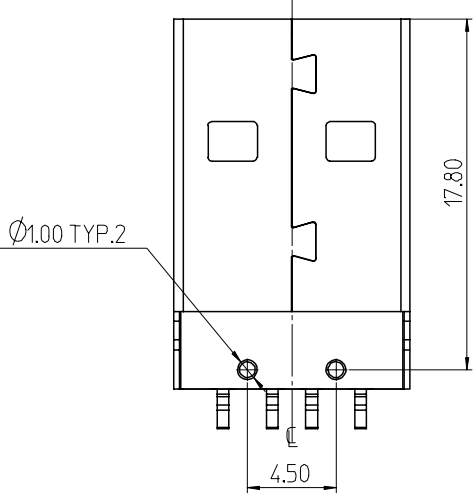
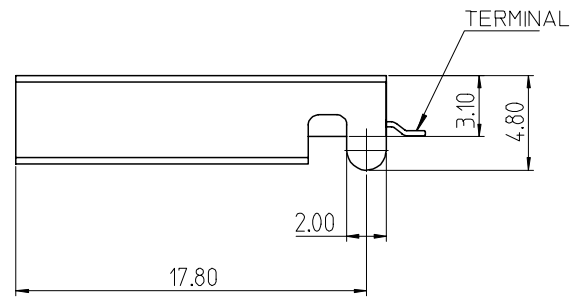
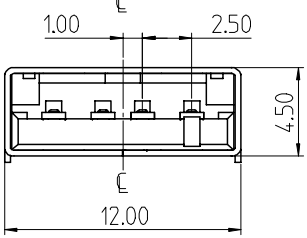


10 9 8 7 6 5 4 3 2 1

F
E
D
C
B
A



RECOMMENDED P.C.B LAYOUT
GENERAL TOLERANCE: ± 0.05



- NOTES:
- MATERIAL:
HOUSING: NYLON 6T, GLASS FIBER FILLED, UL94V-0, COLOR: BLACK.
TERMINAL: BRASS
METAL SHELL: COLD ROLL STEEL
 - FINISH:
TERMINAL:
SELECTIVE GOLD(Au) IN CONTACT AREA
THICKNESS=30 MICRINCH MINIMUM.
SELECTIVE TIN(Sn) ALLOY IN SOLDER TAIL AREA
THICKNESS=120 MICRINCH MINIMUM.
NICKEL(Ni) OVERALL
METAL SHELL:
NICKEL(Ni) OVERALL
UNDER PLATED: COPPER(Cu), OVERALL
THICKNESS=50 MICRINCH MINIMUM.
 - RECOMMENDED PCB THICKNESS: 1.6mm ± 0.05
 - PRODUCT SPECIFICATION REFERS TO PS-48037-001
 - PACKAGE SPECIFICATION REFERS TO PK-48037-210
 - TEST SUMMARY REFERS TO TS-48037-001
 - COPLANARITY TO BE 0.1mm MAX.
 - LEAD FREE AND RoHS COMPLIANCE.
 - DATE CODE:
X X X X X
YEAR WEEK DAY

NEW RELEASE EC NO: SH2006-0042 DRWN: ALLIN 2005/10/26 CHKD: 2005/10/26 APPR: WMSCHANG 2005/11/04	QUALITY SYMBOLS ▽=0 ▽=0	GENERAL TOLERANCES (UNLESS SPECIFIED)		DIMENSION STYLE MM ONLY		SCALE 3:1	DESIGN UNITS METRIC	THIRD ANGLE PROJECTION		
		4 PLACES ± --- ± ---	3 PLACES ± --- ± ---	2 PLACES ± 0.25 ± ---	1 PLACE ± 0.25 ± ---	DRAWN BY CHERRY	DATE 2005/05/25	TITLE USB A TYPE PLUG WITH STR SHELL LEG(4.8MM)SMT (LEAD-FREE VERSION)		
		ANGULAR ± 3 °		APPROVED BY WILSON CHANG		DATE 2005/05/26		MOLEX INCORPORATED		
		DRAFT WHERE APPLICABLE MUST REMAIN WITHIN DIMENSIONS		MATERIAL NO. 48037-2100		DOCUMENT NO. SD-48037-003		SHEET NO. 1 OF 1		

9 8 7 6 5 4 3 2 1