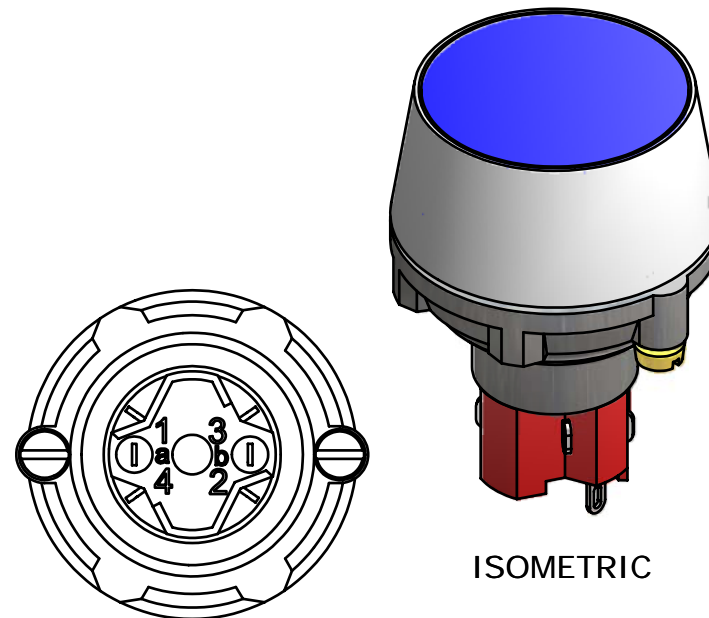


Parts List			
ITEM	QTY	PART NUMBER	DESCRIPTION
1	1	F060610	LASOAU11
2	1	F051701	29MM RING FOR LA
3	1	F050418	6VDC LED YELLOW
4	1	F060297	29mm BLUE LENS



- NOTE:
1. ALL DIMENSIONS IN MM [INCH]
  2. GENERAL TOLERANCE: X.X=±0.4  
X.XX=±0.25
  3. TERMINAL NUMBERS FOR REF ONLY
  4. RATING: 5 AMPS @ 250VAC UL, VDE APPROVED  
6 AMPS @ 24VDC UL, VDE APPROVED
  5. ELECTRIC LIFE: 25,000 MAKE-AND-BREAK CYCLES AT FULL LOAD.
  6. INSULATION RESISTANCE: 1,000 MEGA-OHM MIN.
  7. OPERATING TEMP.: -25°C to 55°C
  - ▲8. LAMP VOLTAGE: 6VDC YELLOW LED
  9. ▲ DENOTES CRITICAL PARAMETER.
  10. 2002/95/EC (ROHS) COMPLIANT
  11. PACKAGE: BOX/20 PIECES PER

**E-SWITCH®**

A	16907	RELEASED FOR PRODUCTION	1/24/07	TN
REV	PCR NO	DESCRIPTION	DATE	BY

TITLE LASOAU11HYELBLU				
SCALE	DATE	DR	DWG	REV
1.5:1	1/24/2007	TN	XF0709P	A

THE INFORMATION CONTAINED IN THIS DOCUMENT IS PROPRIETARY TO E-SWITCH AND IS NOT TO BE COPIED OR TRANSFERRED