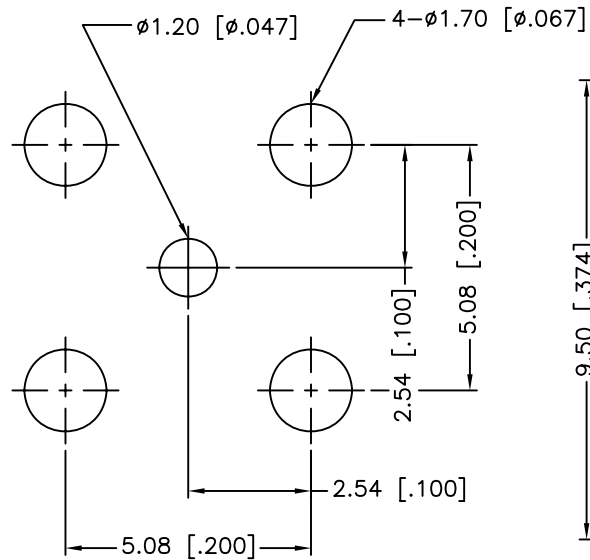
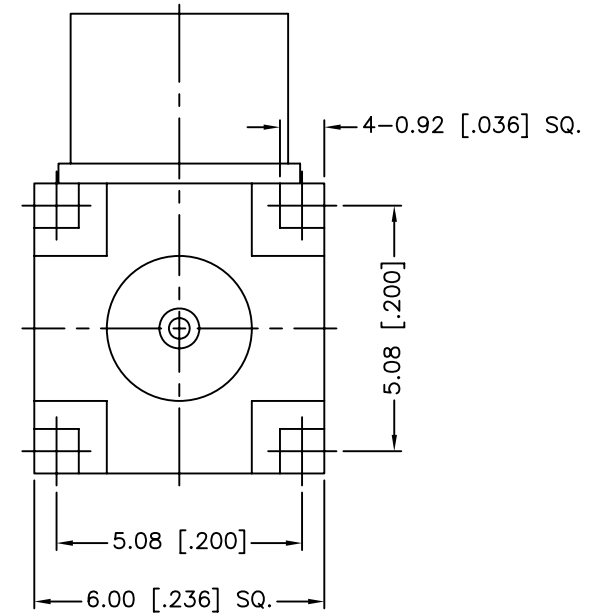
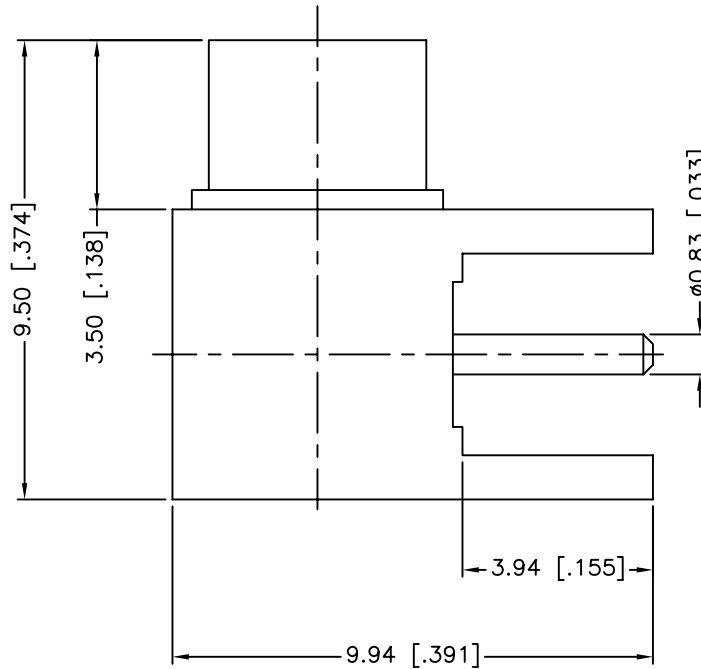


REV.	DATE	ECR NO.	DESCRIPTION
NC	07/18/00	XXXXXX	INITIAL RELEASE
A	06/16/03	XXXXXX	ADD CENTER CONTACT HEIGHT/UPDATE DRAWING FORMAT
B	10/17/11	2240	CHANGE CENTER CONTACT O.D. TO $\phi 0.83\text{MM}$



PCB MOUNTING HOLE



UNLESS OTHERWISE SPECIFIED DIMENSIONS ARE IN MILLIMETERS. DIMENSIONS IN [] ARE IN INCHES AND FOR CUSTOMER REFERENCE ONLY.

UNLESS OTHERWISE SPECIFIED TOLERANCES FOR MILLIMETERS ARE:
0.5 - 8mm $\pm 0.20\text{mm}$
8 - 30mm $\pm 0.40\text{mm}$
30 - 120mm $\pm 0.50\text{mm}$

UNLESS OTHERWISE SPECIFIED TOLERANCES FOR INCHES ARE:
.020 - .315 $\pm 0.007''$
.315 - 1.180 $\pm 0.015''$
1.180 - 4.724 $\pm 0.020''$

DO NOT SCALE DRAWING

APPROVALS		DATE
DRAWN	M.ZHANG	10/17/11
CHECKED		
ISSUED		
SHEET	1 OF 1	
CAD FILE	C:/CONNEX/252129-75.DWG	

Amphenol Connex

PART DESCRIPTION			
MCX R/A P.C. BOARD RECEPT. JACK (3.94MM LEGS - GOLD) - 75 OHM			
PART NO.			
252129-75			
DWG. NO.	252129-75.DWG	REV.	B
SIZE	A	SCALE	NA

QTY	FINISH	MATERIAL	DESCRIPTION
1	GOLD	BER. COPPER	CONTACT PIN
1	NATURAL	PTFE	INSULATOR
1	GOLD	BRASS	BODY/HOUSING