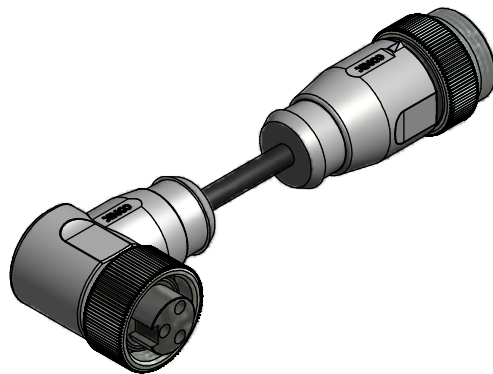
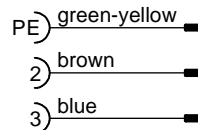


Technical specification:

Rated voltage: IEC 60664-1	300 V
Overvoltage category: IEC 60664-1	2
Overvoltage: IEC 60664-1	2,7 kV
Current rating: IEC 60512-3 at 40°C	0,75mm ² 1,5mm ² 8 A 12 A
Insulation resistance: IEC 60512	>=100 MΩ
Pollution degree: IEC 60664-1	3/2
Degree of protection: IEC 60529	IP 68, in mated condition
Temperature range: IEC 60664-1	-30°C ... +80°C
Mating cycles: IEC 60512-9a	>=100
Termination:	crimped
Materials:	
Contact:	CuZn
Contact plating:	Nickel, gold plated
Contact carrier:	TPU, UL 94
Coupling nut/ screw:	CuZn, nickel plated
Moulding body:	TPU, UL 94, grey

Contact assignment:



D see data sheet cable

Part no:	Description:	Length L:	Cable:
41-01205	SAL - 7/8 - RKW2PE - RS2PE - 0,6 / K0	0,6m	TPU, UL 20940, black, 3x0,75mm ² Cable: 781-K07300
41-01206	SAL - 7/8 - RKW2PE - RS2PE - 1 / K0	1m	
41-01207	SAL - 7/8 - RKW2PE - RS2PE - 1,5 / K0	1,5m	
41-01208	SAL - 7/8 - RKW2PE - RS2PE - 2 / K0	2m	
41-xxxxx	SAL - 7/8 - RKW2PE - RS2PE - ... / K0	x	
41-01253	SAL - 7/8 - RKW2PE - RS2PE - 0,6 / K0 / 150	0,6m	TPU, UL 20940, black, 3x1,50mm ² Cable: 781-K08300
41-01254	SAL - 7/8 - RKW2PE - RS2PE - 1 / K0 / 150	1m	
41-01255	SAL - 7/8 - RKW2PE - RS2PE - 1,5 / K0 / 150	1,5m	
41-01256	SAL - 7/8 - RKW2PE - RS2PE - 2 / K0 / 150	2m	
41-xxxxx	SAL - 7/8 - RKW2PE - RS2PE - ... / K0 / 150	x	

DO NOT ALTER CAD DRAWING BY HAND

Directive 2002/95/EC RoHS compliant

Index: b 14.02.11 VF Ä3891
cable type changed, technical specification changed, part no. cable in table added, neutral line added

tolerance of cable: L ≤ 4m: L + 40mm
L > 4m: L + 1%

THIS DRAWING MAY NOT BE COPIED OR REPRODUCED IN ANY WAY, AND MAY NOT BE PASSED ON TO A THIRD PARTY WITHOUT WRITTEN PERMISSION.
OWNERSHIP AND COPYRIGHT OF CONEC GmbH

dim. in mm		
	date	name
drawn	11.02.08	Franz
appd.	11.02.08	Mankopf



title: **Connecting cable 7/8", female connector angled- male connector axial**

dwg no: **41K1A358**

part no: **see table**