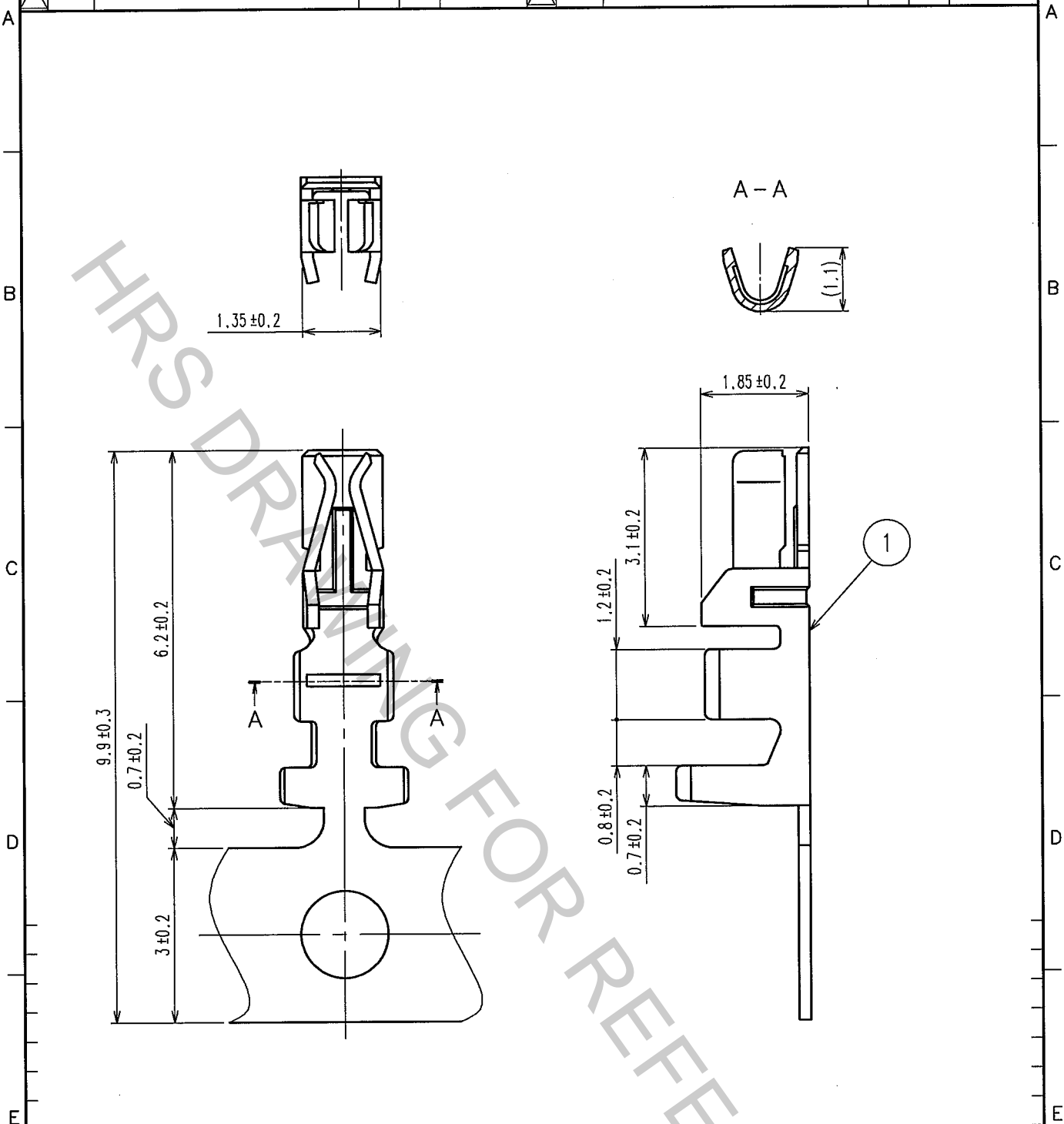


1		2			3			4		
COUNT	DESCRIPTION OF REVISIONS	BY	CHKD	DATE	COUNT	DESCRIPTION OF REVISIONS	BY	CHKD	DATE	
△					△					
△					△					
△					△					



NOTE1. ONE REEL HAS 10000 PIECES OF CONTACTS.

1	PHOSPHOR BRONZE	TIN PLATED 1μ m min
NO.	MATERIAL	FINISH, REMARKS

CODE NO. (OLD)	DRAWN	DESIGNED	CHECKED	APPROVED	RELEASED
CL	<i>I. Denpouya</i>	<i>I. Denpouya</i>	<i>T. Miyazaki</i>	<i>Y. Ama</i>	
	'04.03.22	'04.03.22	'04.03.22	'04.03.22	

	DRAWING NO.	PART NO.
	EDC4-081090	DF11-30SCF
UNITS mm	HIROSE ELECTRIC CO., LTD.	CODE NO. CL543-0605-0

TO

1
1

