

4

3

2

1


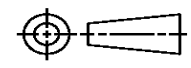
THIS DRAWING IS UNPUBLISHED. RELEASED FOR PUBLICATION
© COPYRIGHT ALL RIGHTS RESERVED.

LOC		DIST		REVISIONS			
P	LTR	DESCRIPTION		DATE	DWN	APVD	
	B1	ECR-16-009820		18JUL2016	GK	SD	

REPLACED BY OCEAN STYLE APPLICATOR PART NUMBER 2151180-1

FOR REPLACEMENT PARTS FOR APPLICATOR 1528922
REFER TO ADDITIONAL PAGE(S). SPARE PARTS KIT (IF LISTED)
WILL REMAIN AVAILABLE.

THE REPLACEMENT OCEAN STYLE APPLICATOR HAS THE
SAME TERMINATOR/PRESS INTERFACE AS APPLICATOR
1528922

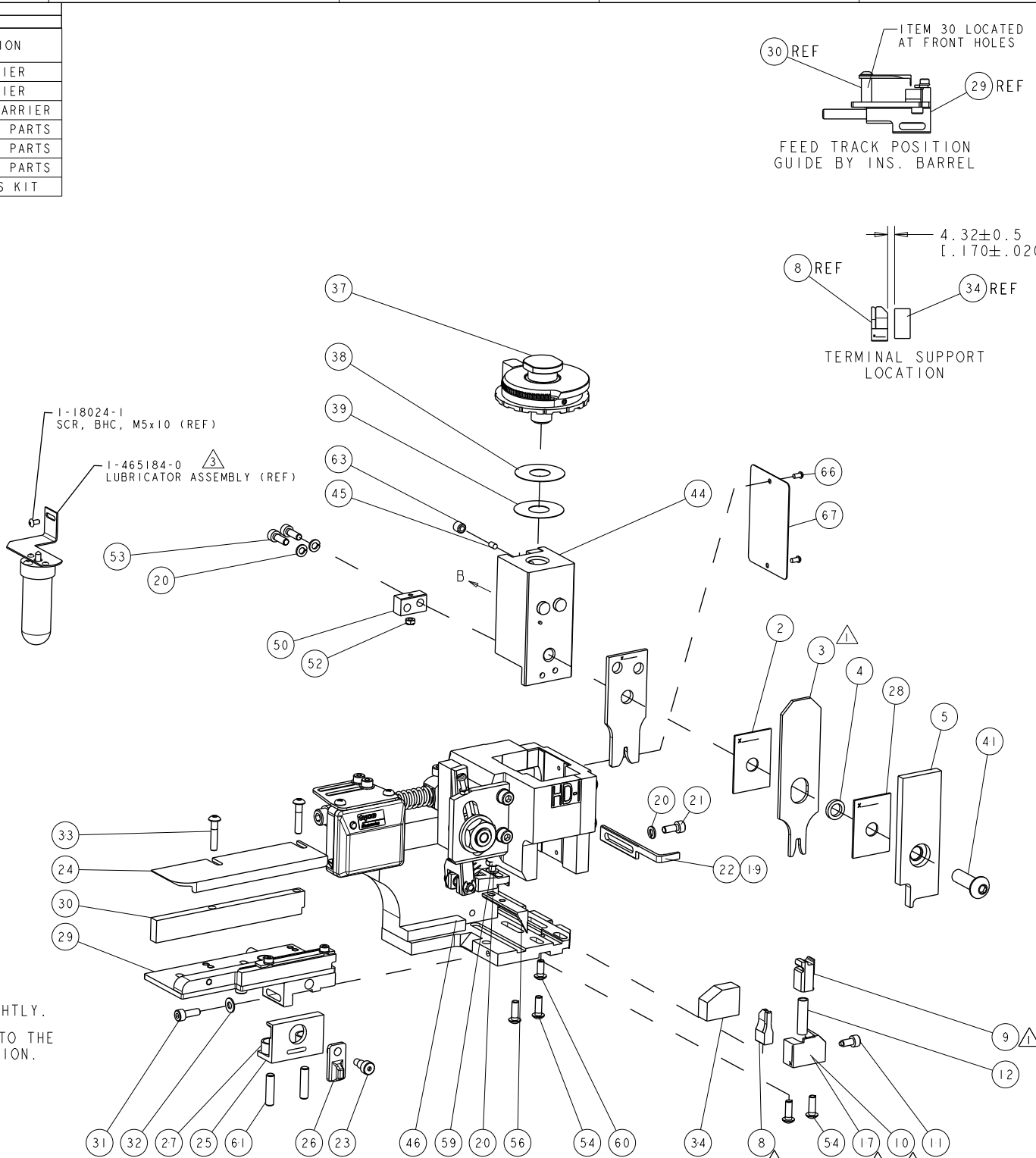
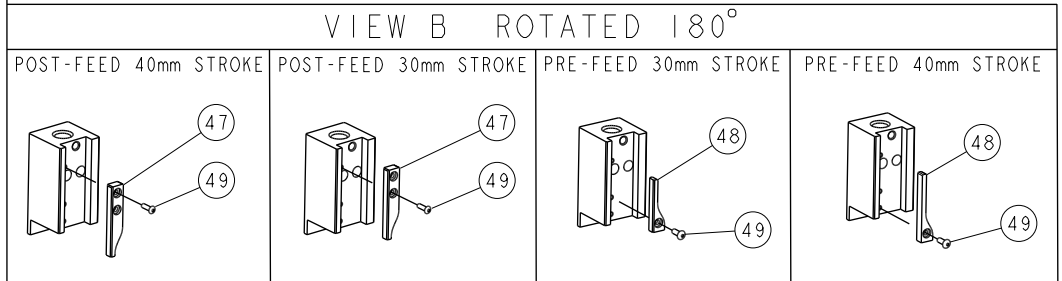
THIS DRAWING IS A CONTROLLED DOCUMENT.		DWN	GOPALAKRISHNA HV			TE Connectivity			
DIMENSIONS:		CHK	GOPALAKRISHNA HV			NAME			
		TOLERANCES UNLESS OTHERWISE SPECIFIED:		FINE ADJUST SIDE FEED HDI APPLICATOR					
		0 PLC	±	APVD	STOUGH DALE		PRODUCT SPEC		
MATERIAL		1 PLC	±	APPLICATION SPEC		SIZE	CAGE CODE	DRAWING NO	RESTRICTED TO
FINISH		2 PLC	±	WEIGHT		A3		©- 1528922	
		3 PLC	±	CUSTOMER DRAWING		SCALE	SHEET 1 OF 2	REV B1	
		4 PLC	±						
		ANGLES	±						

PART NUMBER	REV	TERMINATOR	FEED TYPE	DESCRIPTION
1528922-1	B	LEADMAKER	MECH POST FEED	CUTS CARRIER
1528922-2	B	BENCH	MECH PRE FEED	CUTS CARRIER
1528922-6	B	LEADMAKER	MECH POST FEED	CONTINUOUS CARRIER
7-1528922-1	B	LEADMAKER	MECH POST FEED	-1 AND SPARE PARTS
7-1528922-2	B	BENCH	MECH PRE FEED	-2 AND SPARE PARTS
7-1528922-6	B	LEADMAKER	MECH POST FEED	-6 AND SPARE PARTS
7-1528922-7	B	-	-	SPARE PARTS KIT

CRIMP DATA		TE TERMINAL		TE CRIMP SPECS	
TERMINAL NAME: STANDARD POWER TIMER CONTACT					
CRIMP	SIZE	TYPE	RANGE		
WIRE	2.03 [.080 IN]	F	0.50 - 1.00mm ²		
INSUL	3.30 [.130 IN]	F	2.00 - 2.70 [.079 - .106 IN]		
WIRE STRIP LENGTH 3.40 - 4.00 [.134 - .157 IN]		APPL INSTRUCTIONS 408-8322 & 408-8490			
TERMINAL 114-18037		FEED 16.00 [.630 IN]			
TERMINALS APPLIED					
927827	-	-	-	-	-
1241834	-	-	-	-	-
-	-	-	-	-	-
-	-	-	-	-	-
-	-	-	-	-	-
WIRE SIZE	CRIMP HEIGHT	REF SETTING			
1.00mm ²	1.56 ± 0.05 [.061 ± .002 IN]	B 5			
0.85mm ²	1.51 ± 0.05 [.059 ± .002 IN]	C 0			
0.75mm ²	1.47 ± 0.05 [.058 ± .002 IN]	C 3			
20 AWG	1.39 ± 0.05 [.055 ± .002 IN]	C 7			
0.50mm ²	1.38 ± 0.05 [.054 ± .002 IN]	C 8			

- 1. RECOMMENDED SPARE PARTS.
- 2. GREASE RAM, CAM, CAM FOLLOWER AND FEED ROD LIGHTLY.
- 3. CERTAIN TERMINALS REQUIRE LUBRICATION. REFER TO THE APPLICATOR INSTRUCTION SHEET FOR MORE INFORMATION.
- 4. LUBRICATE DAILY PER THE APPLICATOR INSTRUCTION SHEET SUPPLIED WITH THE APPLICATOR.

*** WARNING**
ON INSTALLATION, SET WIRE DISC TO LARGEST WIRE SIZE SETTING. USE OF SETTINGS BELOW MIN. REQUIRED CRIMP HEIGHT SETTING WILL CAUSE DAMAGE TO CRIMP TOOLING.



ITEM NO	DESCRIPTION	ITEM NO
84		
83		
82		
81		
80		
79		
78		
77		
76		
75		
74		
-77 -76 -72 -71 -6 -2 -1	PART NO	DESCRIPTION

SET UP GAGE		LOC	DIST	REVISIONS					
458637-3		A	66	P	REV	DESCRIPTION	DATE	OWN	APVD
				A	SEE ECO-08-024403		01OCT2008	LJL	MC
				B	ECR-16-000722		27JAN2016	RS	UG

-	-	-	-	-	-	-	-	-	73
-	-	-	-	-	-	-	-	-	72
-	1	1	1	1	1	1	1338705-3	DOCUMENTATION PACKAGE	71
-	-	-	-	-	-	-	-	-	70
-	-	-	-	-	-	-	-	-	69
-	-	-	-	-	-	-	-	-	68
-	1	1	1	1	1	1	461264-5	PLATE, IDENTIFICATION	67
-	2	2	2	2	2	2	21017-2	SCREW, DRIVE	66
-	-	-	-	-	-	-	-	-	65
-	-	-	-	-	-	-	-	-	64
-	1	1	1	1	1	1	3-18031-0	SCR, SET, CUP POINT M6 X 6.0	63
-	-	-	-	-	-	-	-	-	62
-	2	2	2	2	2	2	2-18032-5	SCR, SET, FLT POINT M5 X 20.0	61
-	1	1	1	1	1	1	18024-7	SCR, BTN SKT HD CAP (M4 X 10.0)	60
-	1	1	1	1	1	1	5-18022-2	SCR, HEX HD CAP M4 X 8.0	59
-	-	-	-	-	-	-	-	-	58
-	-	-	-	-	-	-	-	-	57
-	1	1	1	1	1	1	1338685-1	PAWL, FEED	56
-	-	-	-	-	-	-	-	-	55
-	4	4	4	4	4	4	18024-8	SCR, BTN SKT HD CAP (M4 X 12.0)	54
-	2	2	2	2	2	2	1-18023-2	SCR, SKT HD CAP M4 X 12.0	53
-	1	1	1	1	1	1	18030-1	NUT, HEX, REG M3	52
-	1	1	1	1	1	1	811242-6	BUMPER, HOLD DOWN	51
-	1	1	1	1	1	1	690753-2	SPACER, TONKER	50
-	1	1	1	1	1	1	18024-3	SCR, BTN SKT HD CAP (M3 X 10.0)	49
-	-	-	-	-	-	-	1338675-1	CAM, UNIVERSAL PRE FEED	48
-	1	-	1	1	-	1	1338676-1	CAM, UNIVERSAL POST-FEED	47
-	1	1	1	1	1	1	1320999-3	APPLICATOR SUBASSEMBLY, HD1	46
-	1	1	1	1	1	1	690191-1	PLUG, NYLON	45
-	1	1	1	1	1	1	1338660-1	RAM	44
-	-	-	-	-	-	-	-	-	43
-	-	-	-	-	-	-	-	-	42
-	1	1	1	1	1	1	2-18024-6	SCR, BTN SKT HD CAP (M8 X 25.0)	41
-	-	-	-	-	-	-	-	-	40
-	1	1	1	1	1	1	690125-1	SHIM SUB-ASSY	39
-	1	1	1	1	1	1	469367-1	SHIM	38
-	1	1	1	1	1	1	879103-2	FINE ADJUST HEAD ASSEMBLY	37
-	-	-	-	-	-	-	-	-	36
-	-	-	-	-	-	-	-	-	35
-	1	1	1	1	1	1	2-1320934-7	SUPPORT, TERMINAL	34
-	2	2	2	2	2	2	1-18024-0	SCR, BTN SKT HD CAP (M4 X 20.0)	33
-	1	1	1	1	1	1	18027-2	WASHER, FLAT, REG M4	32
-	1	1	1	1	1	1	1-18023-2	SCR, SKT HD CAP M4 X 12.0	31
-	1	1	1	1	1	1	1-1320908-0	SPACER, STRIP GUIDE	30
-	1	1	1	1	1	1	1633073-1	STRIP GUIDE ASSEMBLY	29
-	1	1	1	1	1	1	1-455888-0	SPACER, CRIMPER	28
-	2	2	2	2	2	2	1-22284-0	SPRING, COMPRESSION	27
-	1	1	1	1	1	1	356835-1	LEVER, DRAG RELEASE	26
-	1	1	1	1	1	1	240792-1	DRAG, TERMINAL	25
-	1	1	1	1	1	1	1320928-2	STRIP GUIDE	24
-	1	1	1	1	1	1	980371-4	SCR, SKT HD SHLDR 5.0 DIA X 6.0	23
-	1	1	1	1	1	1	690472-2	STRIPPER	22
-	1	1	1	1	1	1	1-18023-1	SCR, SKT HD CAP M4 X 10.0	21
-	4	4	4	4	4	4	18025-2	WASHER, SPRG LOCK, REG M4	20
-	-	-	-	-	-	-	690472-1	STRIPPER	19
-	-	-	-	-	-	-	-	-	18
-	1	-	-	-	-	-	1338684-1	SHEAR HOLDER, FRONT	17
-	-	-	-	-	-	-	-	-	16
-	-	-	-	-	-	-	-	-	15
-	-	-	-	-	-	-	-	-	14
-	-	-	-	-	-	-	-	-	13
-	1	1	1	1	1	1	3-22280-3	SPRING, COMPRESSION	12
-	1	1	1	1	1	1	356885-4	STOP, SHEAR	11
-	-	-	-	-	-	-	1320921-1	SHEAR HOLDER, FRONT, CUT	10
-	1	1	1	1	1	1	454276-1	FLOATING SHEAR, FRONT	9
-	1	2	2	2	1	1	2-1333204-5	ANVIL, COMBINATION	8
-	-	-	-	-	-	-	-	-	7
-	-	-	-	-	-	-	-	-	6
-	1	1	1	1	1	1	1-455889-4	DEPRESSOR, SHEAR	5
-	1	1	1	1	1	1	1-238011-0	BLOCK, CRIMPER SPACER	4
-	1	2	2	2	1	1	4-456134-4	CRIMPER, INSULATION F PREMIUM	3
-	1	1	1	1	1	1	455888-8	SPACER, CRIMPER	2
-	1	2	2	2	1	1	6-1803188-3	CRIMPER, WIRE	1

ITEM NO	PART NO	DESCRIPTION	ITEM NO
-77 -76 -72 -71 -6 -2 -1	PART NO	DESCRIPTION	ITEM NO