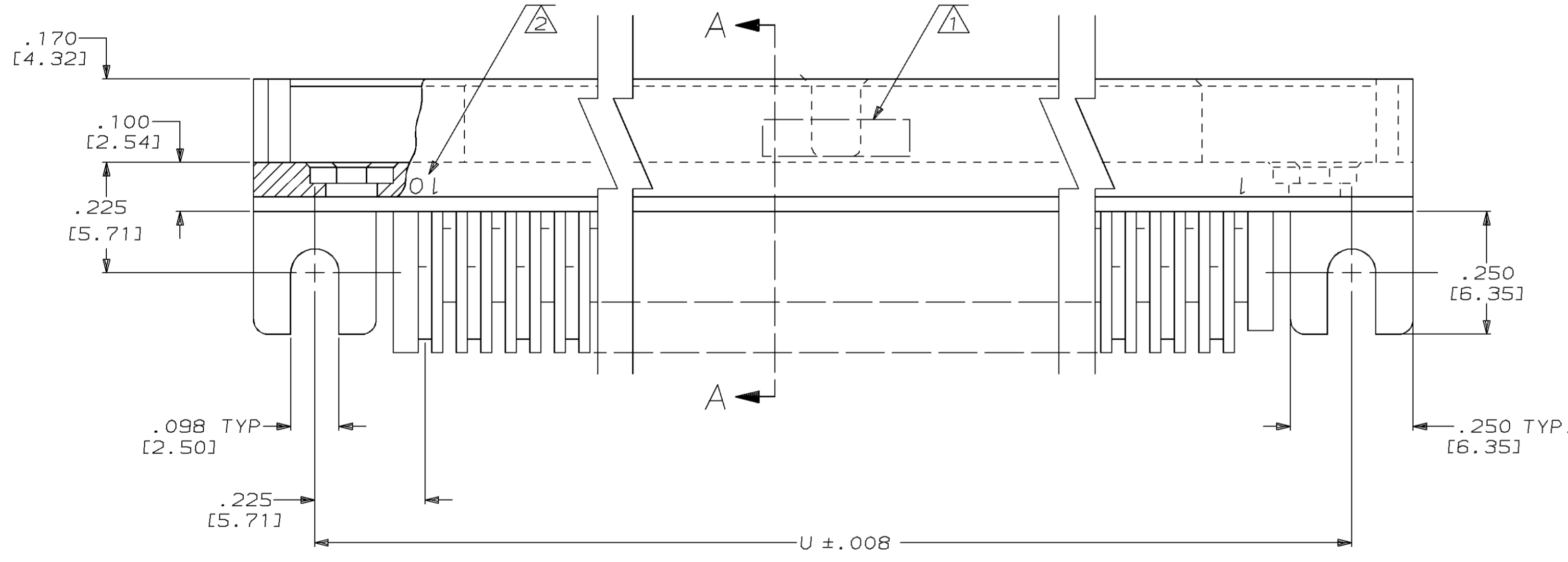
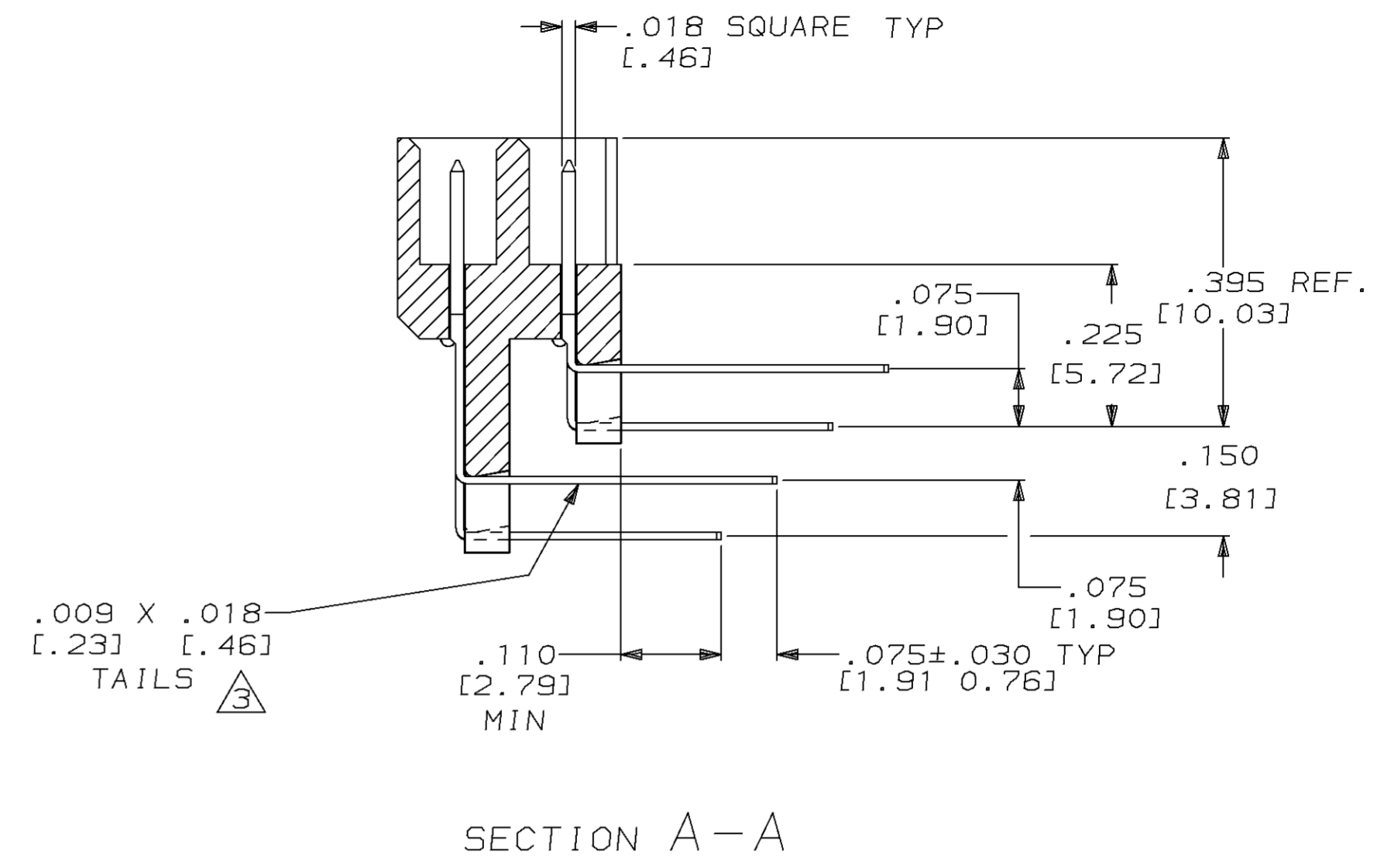
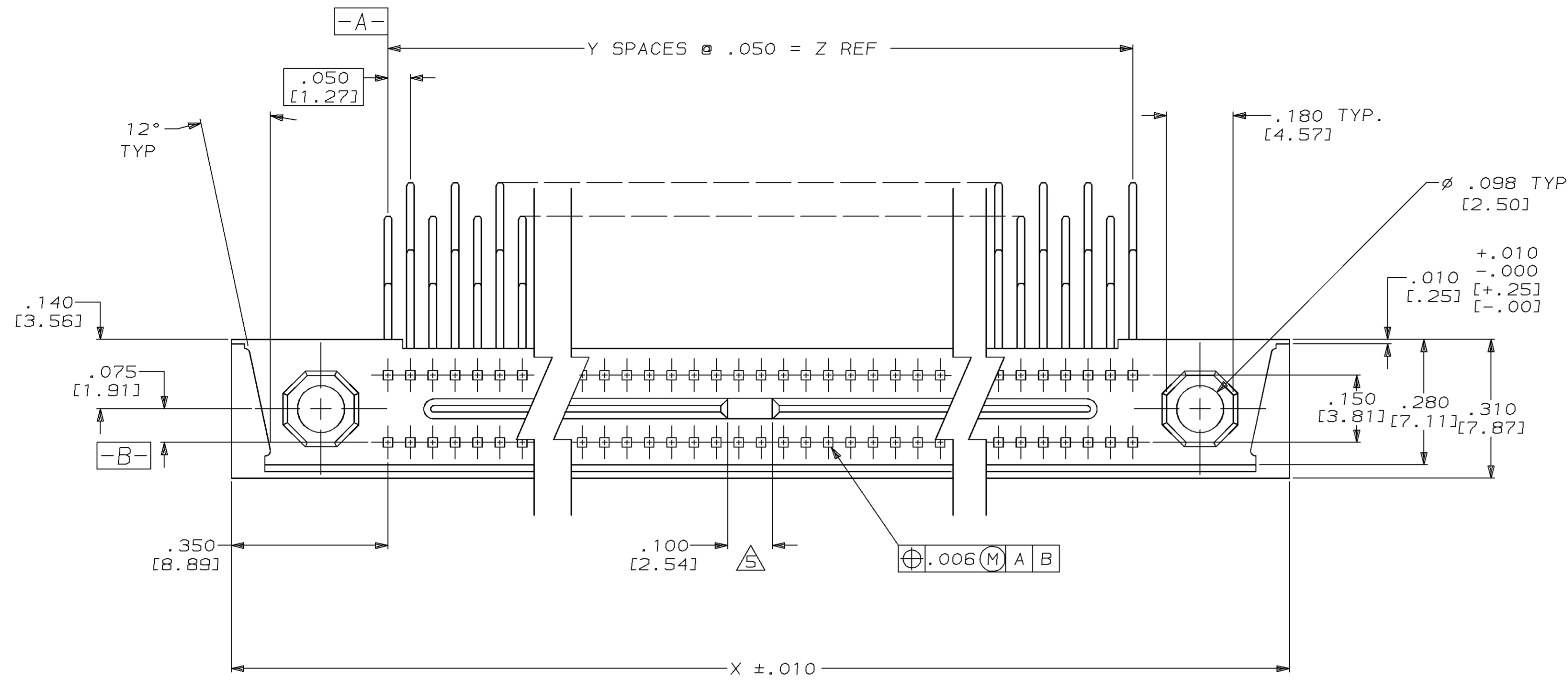
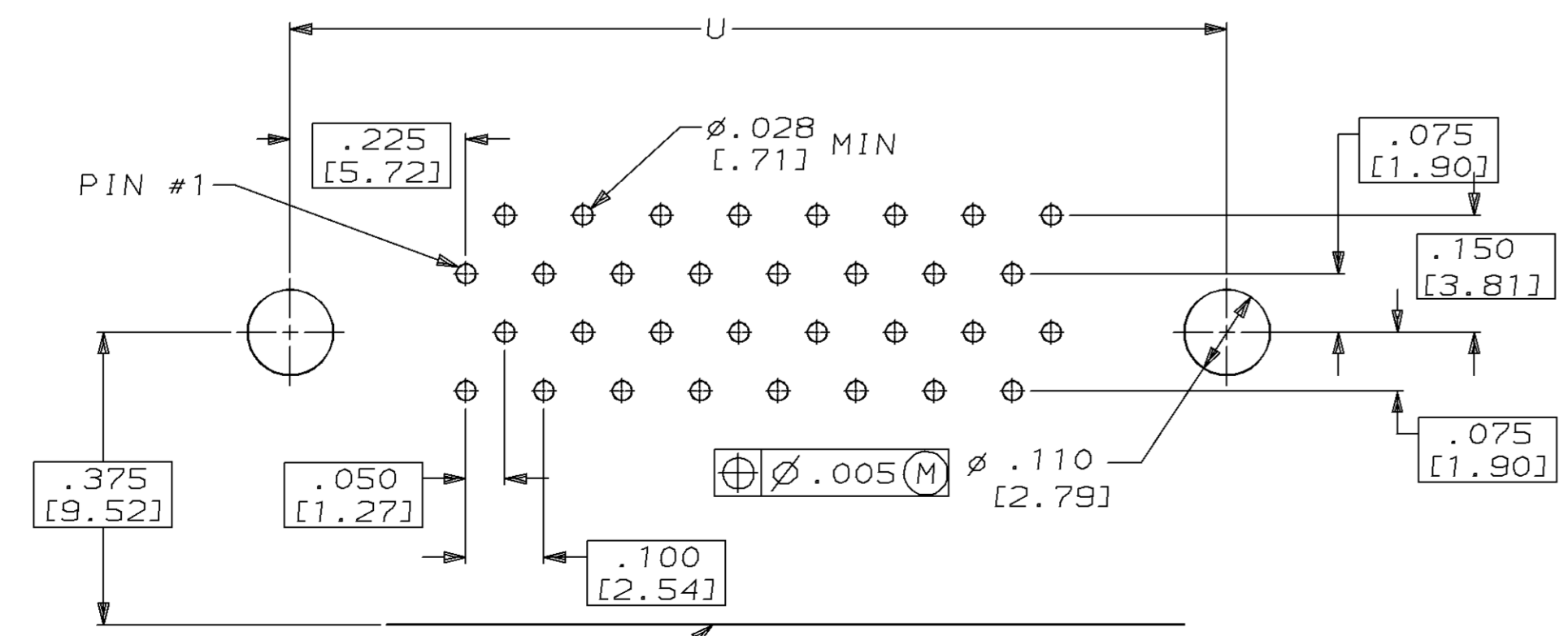


PROD CODE	LOC	DIST	P	F	ZONE	LTR	DESCRIPTION	DATE	APPD	
5327	DF	F0					REVISIONS			
							B	REV & REDWN PER DF-5332	AJG 11-20-91	DG
							C	REV PER 0600-0886-93	TA 8-12-93	DG
							D	REV PER 0600-1388-93	TA 5-4-94	DG
							E	REV PER 0600-2118-94	JB 12-05-94	DG



- 1 MARK AMP, PART NO., DATE CODE
- 2 NUMBERS INDICATING END POSITIONS MARKED THIS SIDE ONLY.
- 3 .000030 GOLD IN CONTACT AREA, SELECTIVE OVER NICKEL TIN ON CONTACT TAILS. CONTACT MATL: BRASS.
- 4 HOUSING MATERIAL: LIQUID CRYSTAL POLYMER PER MIL-M-24519, GLCP-30F; COLOR: GRAY.
- 5 FEATURE NOT PRESENT IN 20 THRU 50 POSITION.



RECOMMENDED PRINTED CIRCUIT BOARD LAYOUT
(CONNECTOR SIDE)

1-10	.450 [11.43]	9	1.150 [29.21]	.900 [22.86]	20	1-530733-1
1-15	.700 [17.78]	14	1.400 [35.56]	1.150 [29.21]	30	1-530733-0
1-64	3.150 [80.01]	63	3.850 [97.79]	3.600 [91.44]	128	530733-9
1-55	2.700 [68.58]	54	3.400 [86.36]	3.150 [80.01]	110	530733-8
1-50	2.450 [62.23]	49	3.150 [80.01]	2.900 [73.66]	100	530733-7
1-45	2.200 [55.88]	44	2.900 [73.66]	2.650 [67.31]	90	530733-6
1-40	1.950 [49.53]	39	2.650 [67.31]	2.400 [60.96]	80	530733-5
1-35	1.700 [43.18]	34	2.400 [60.96]	2.150 [54.61]	70	530733-4
1-30	1.450 [36.83]	29	2.150 [54.61]	1.900 [48.26]	60	530733-3
1-25	1.200 [30.48]	24	1.900 [48.26]	1.650 [41.91]	50	530733-2
1-20	.950 [24.13]	19	1.650 [41.91]	1.400 [35.56]	40	530733-1
2	Z	Y	X	U	NO OF CONTACTS	PART NO.

DO NOT SCALE PRINT. UNLESS SPECIFIED DIMENSIONS IN INCHES TOLERANCES ON: 2 PLC DEC ± 3 PLC DEC ± .005 ANGLES ± 0° 30'	DR 9-12-89 T. WIEST	AMP INCORPORATED Harrisburg, Pa. 17105			
	CHK 11-20-91 D. GUTTER				NAME ASSEMBLY, PIN HEADER, MINI-BOX RIGHT ANGLE
MATERIAL	APPD 11-20-91 D. GUTTER	PRODUCT SPEC	SIZE D	FSCM NO 00779	DRAWING NO 530733
FINISH	APPD 11-20-91 D. GUTTER	APPLICATION SPEC	SCALE 5:1	SHEET 1 OF 1	
WEIGHT					