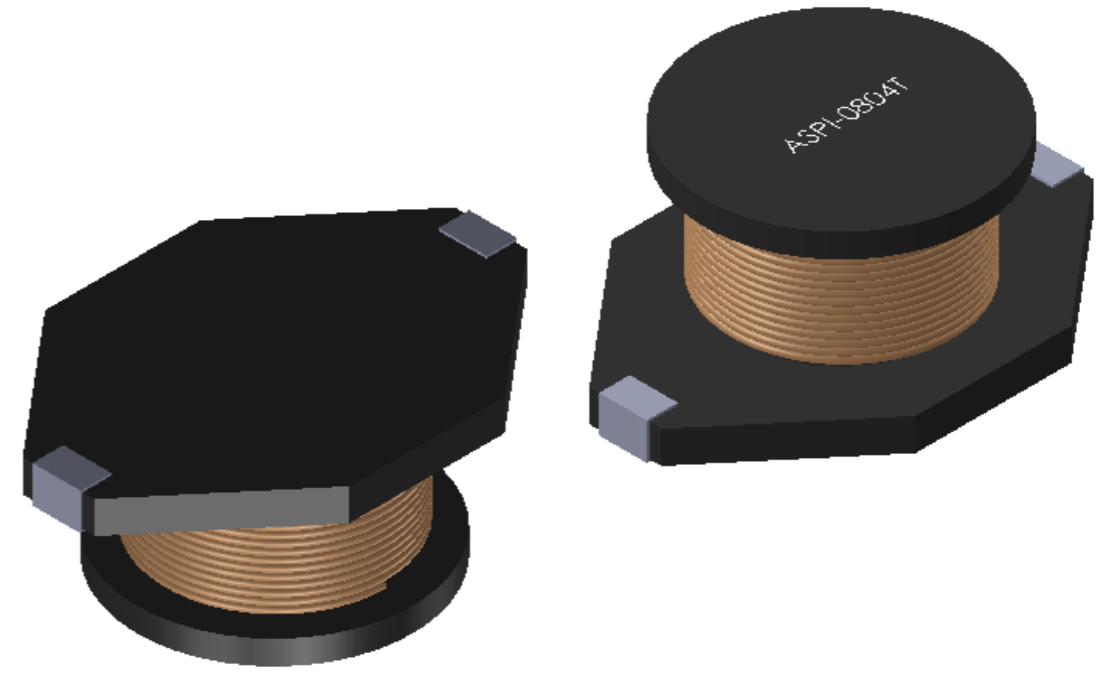
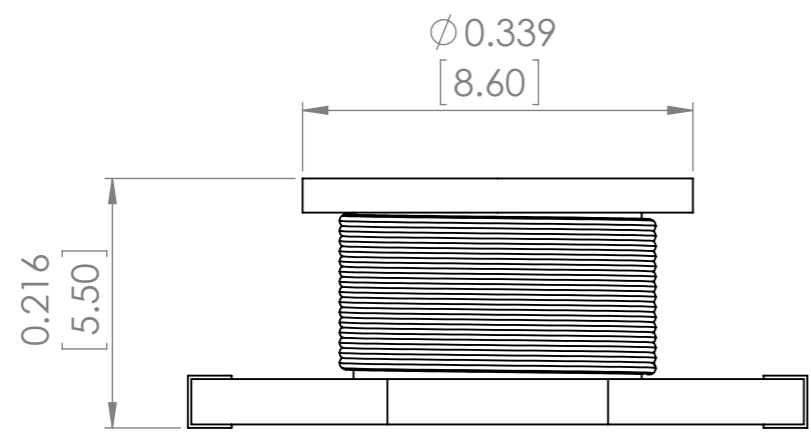
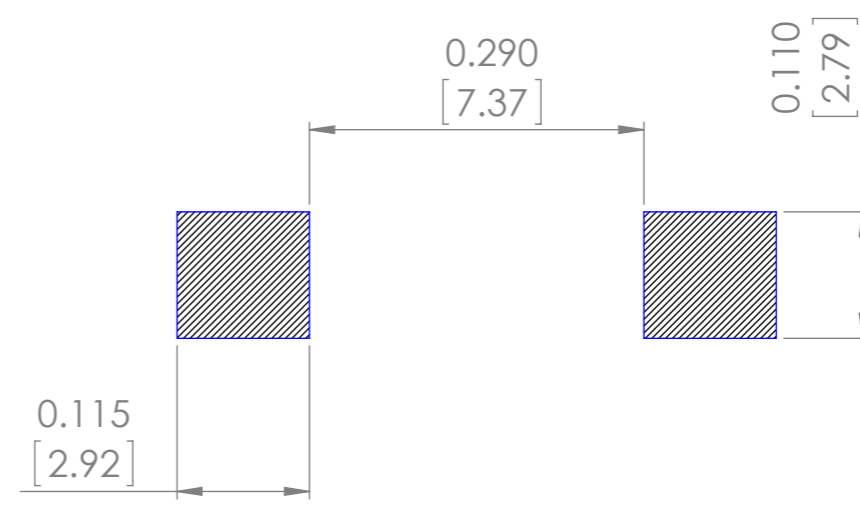
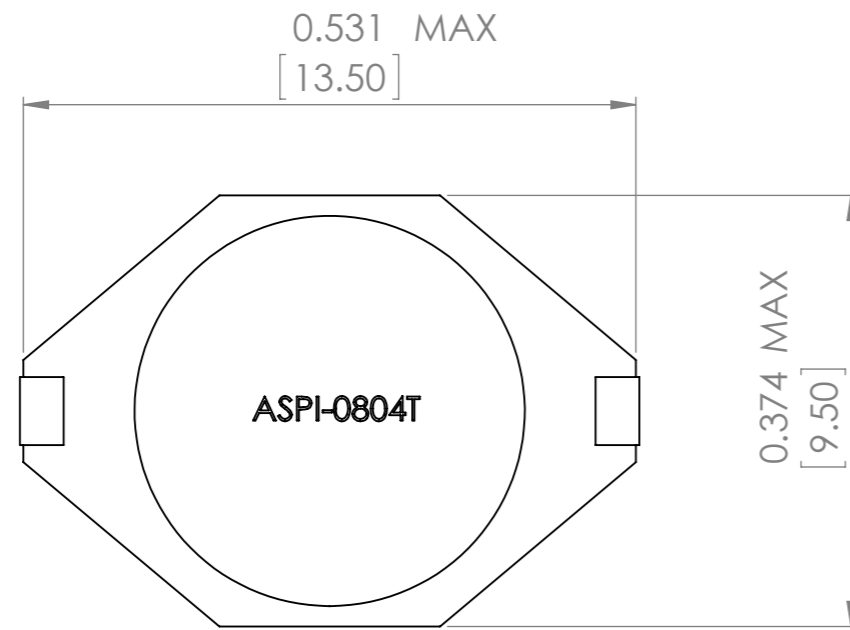



Recommended Landing Pattern



UNLESS OTHERWISE SPECIFIED: DIMENSIONS ARE IN INCH(MM) SURFACE FINISH: TOLERANCES: LINEAR: ANGULAR:				FINISH:		DEBUR AND BREAK SHARP EDGES		DO NOT SCALE DRAWING		REVISION -	
DRAWN SAAZVAT				SIGNATURE		DATE		 30332 Esperanza, Rancho Santa margarita, California 92688			
CHK'D XXXXXX								TITLE: Unshielded			
APPV'D								DWG NO. ASPI-0804T		A3	
MFG								SCALE:6:1		SHEET 1 OF 1	
Q.A						MATERIAL:					
						WEIGHT:					