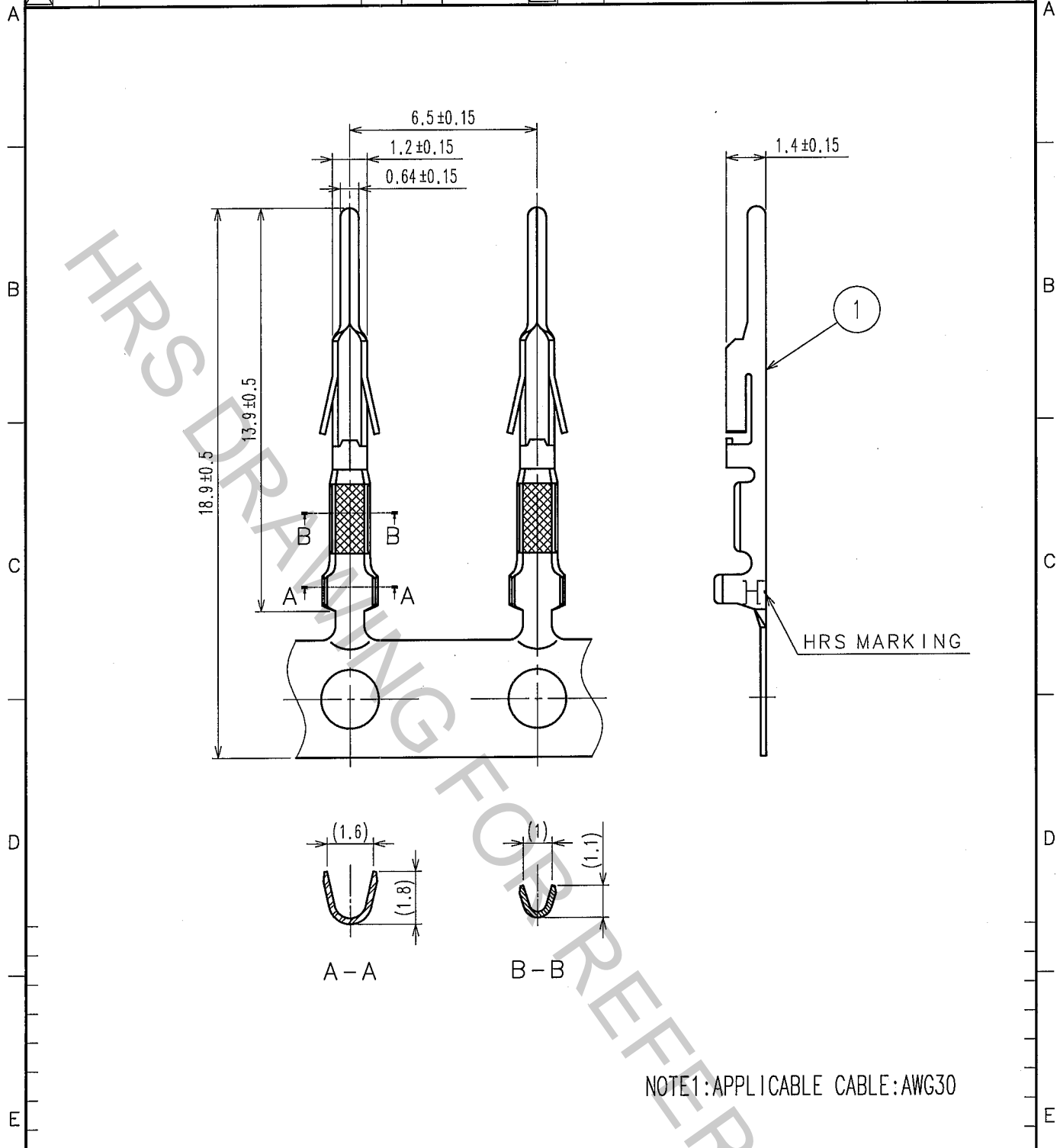


1			2			3			4		
COUNT	DESCRIPTION OF REVISIONS	BY	CHKD	DATE	COUNT	DESCRIPTION OF REVISIONS	BY	CHKD	DATE		
△					△						
△					△						
△					△						



NOTE1: APPLICABLE CABLE: AWG30

2		1		PHOSPHOR BRONZE		TIN PLATED 1μ m MIN	
NO.	MATERIAL	FINISH, REMARKS		NO.	MATERIAL	FINISH, REMARKS	
CODE NO. (OLD) CL				DRAWN	DESIGNED	CHECKED	APPROVED
				K. ISHII	K. ISHII	<i>H. Umehara</i>	<i>T. Sahata</i>
				'07.08.27	'07.08.27	07-08-28	07.08.29
DRAWING NO. EDC4-081076-01		PART NO. DF1B-30PCF					
SCALE 5 : 1		CODE NO. CL541-0686-0				1/1	
UNITS mm		HRS HIROSE ELECTRIC CO., LTD.				1/1	

TO