

4

3

2

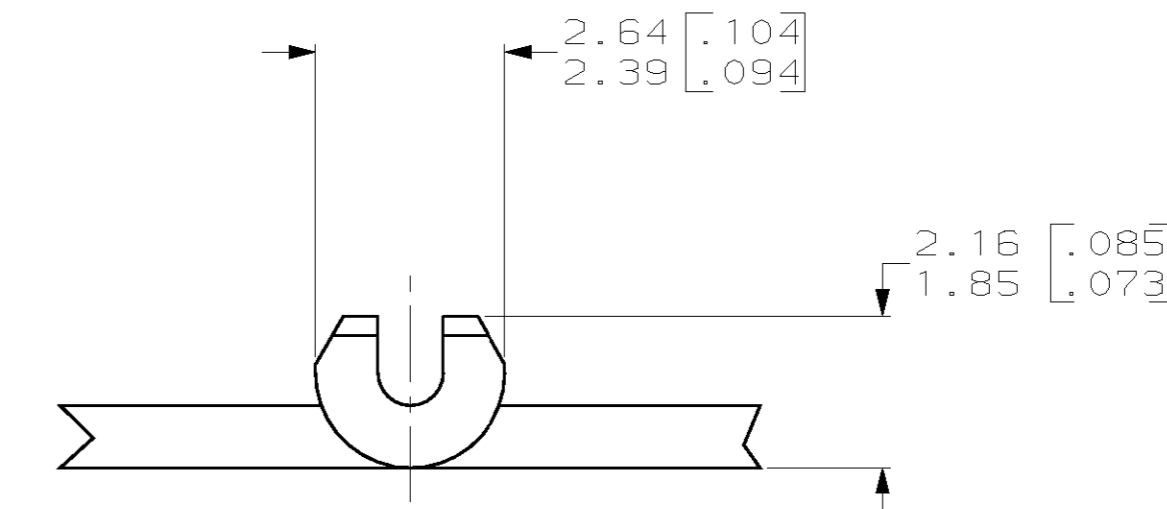
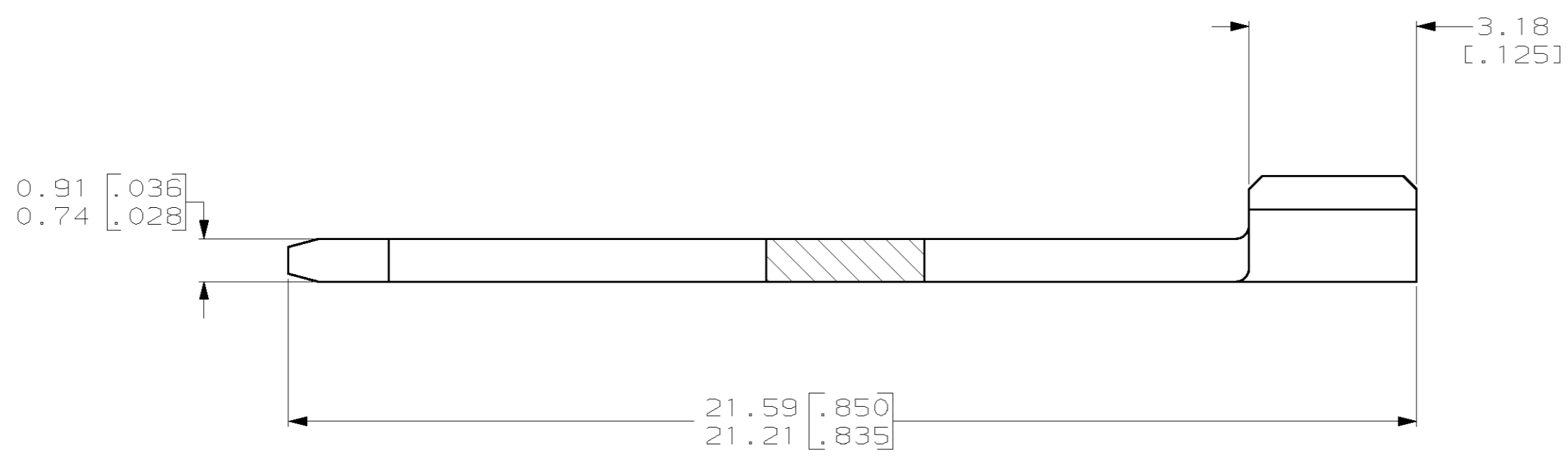
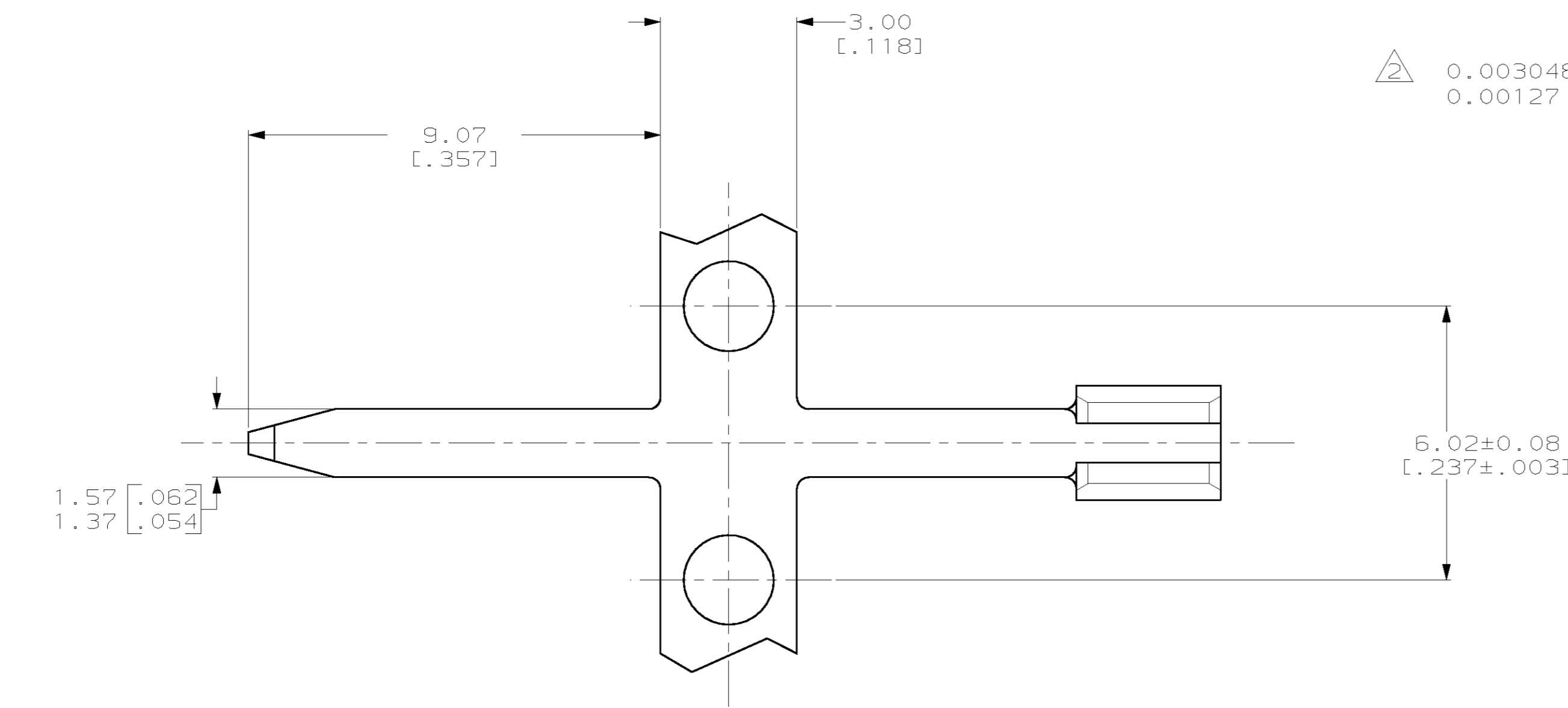
1

THIS DRAWING IS UNPUBLISHED. RELEASED FOR PUBLICATION .19
 BY AMP INCORPORATED. ALL RIGHTS RESERVED.

LOC	DIST	REVISIONS			
P	LTR	DESCRIPTION	DATE	DWN	APVD
AF	50	C	REL PER 0G3A-0435-00	28JUN00	JR DD

1 CONTINUOUS STRIP ON REELS.

△ 0.003048 [.000120] MIN TIN OVER
 0.00127 [.000050] MIN NICKEL UNDERPLATE.



△ 1217297-1
 PART NUMBER

THIS DRAWING IS A CONTROLLED DOCUMENT.		DWN MICHAEL S. FEHER 04JAN2000	AMP Incorporated Harrisburg, PA 17105-3608	
DIMENSIONS: mm (INCHES)		CHK DON DECKER 05JAN2000	NAME TERMINAL, BLADE, 1.47 [.058]	
TOLERANCES UNLESS OTHERWISE SPECIFIED: 0 PLC ±- 1 PLC ±- 2 PLC ±0.25 (.010) 3 PLC ±- 4 PLC ±- ANGLES ±- FINISH - △		APVD DON DECKER 05JAN2000	PRODUCT SPEC -	RESTRICTED TO -
MATERIAL #2 CARBON STEEL	SCALE 10:1	WEIGHT -	SIZE A2	CAGE CODE 00779
CUSTOMER DRAWING		DRAWING NO 1217297		REV C

1217297