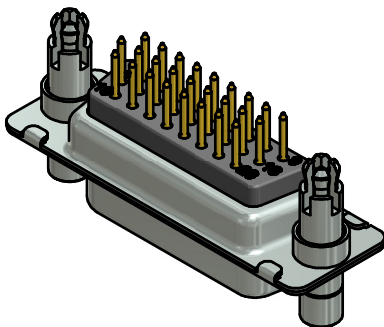
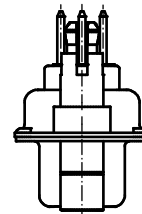
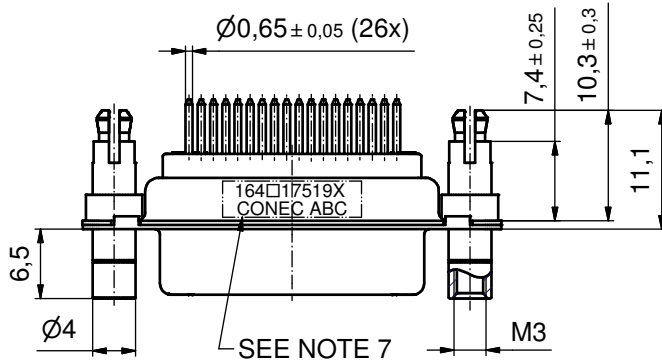
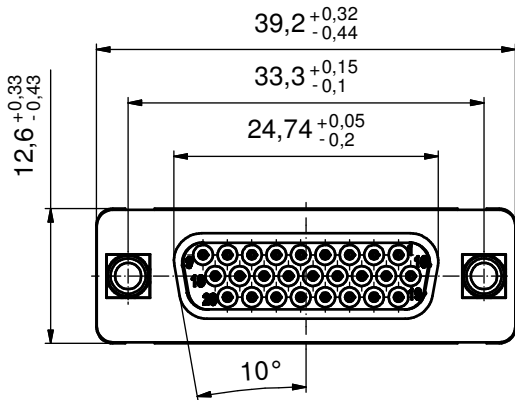
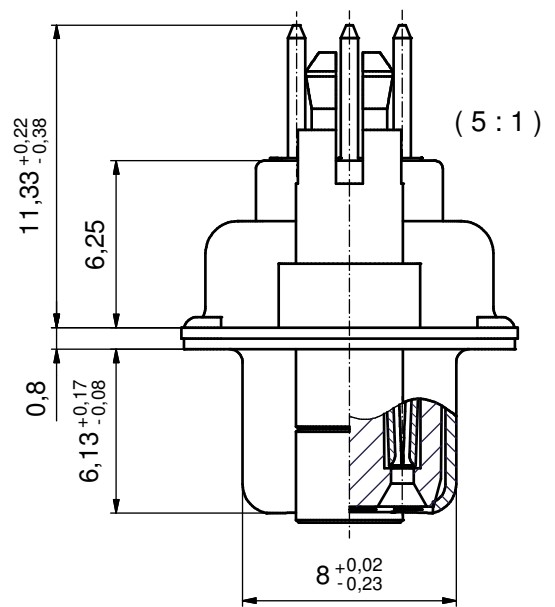


P.C.B. HOLE DRILLINGS
(P.C.B TOP SIDE)



(b) NOTES:

1. METALSHELLS: STEEL; min. 315µm TIN over 40-80µm NICKEL
2. INSULATORS: PBT GF UL 94 V-0, BLACK
3. CONTACTS: COPPER ALLOY; PLATING (SEE PART NO):
 - PLEASE ADD A for GOLD FLASH over NICKEL (PREFERRED TYPE)
 - PLEASE ADD B for 20µm HARD GOLD over min. 50µm NICKEL
 - PLEASE ADD C for 30µm HARD GOLD over min. 50µm NICKEL
4. THREADED LOCK AND SPACER CLIPS: COPPER ALLOY; min. 200µm TIN over 80µm NICKEL
PCB-HOLE: $\text{Ø}3.1 \pm 0.1$; PCB THICKNESS 1.6mm
5. COLLARS: COPPER ALLOY; min. 200µm TIN over 80µm NICKEL
6. MAXIMUM TORQUE VALUE FOR THREAD: 6 in.LB
7. CONNECTOR IS PART MARKED: 164□17519X CONEC ABC

Directive 2002/95/EC RoHS compliant

THIS DRAWING MAY NOT BE COPIED OR REPRODUCED IN ANY WAY, AND MAY NOT BE PASSED ON TO A THIRD PARTY WITHOUT WRITTEN PERMISSION. OWNERSHIP AND COPYRIGHT OF CONEC GmbH DO NOT ALTER CAD DRAWING BY HAND				tolerance		scale: 2:1 (5:1)
				date	name	material: SEE NOTES
				drawn	03.04.07	Lehmenkühler
				appd.	03.04.07	Mickenbecker
				norm		
				d-old	16K1A1710	
			2 x b	A4452	11.09.2012	K.H.
			a	Original		
			rev.	description	date	name
			CONEC [®]			title: D-SUB HD FEMALE 26pos. SOLDER PIN STRAIGHT with threaded lock and spacer clip
						dwg no: 16K1A2027
						DIN-A3 sh: 1
						part no: (b) 164□17519X (see note 3)