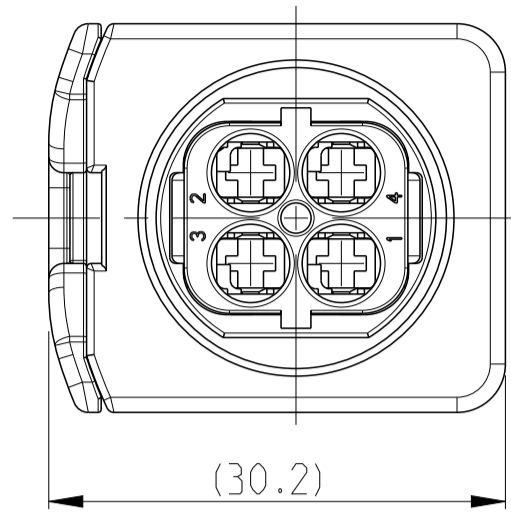


1-1418390-1 AS SHOWN
 1-1418390-1 wie gezeigt

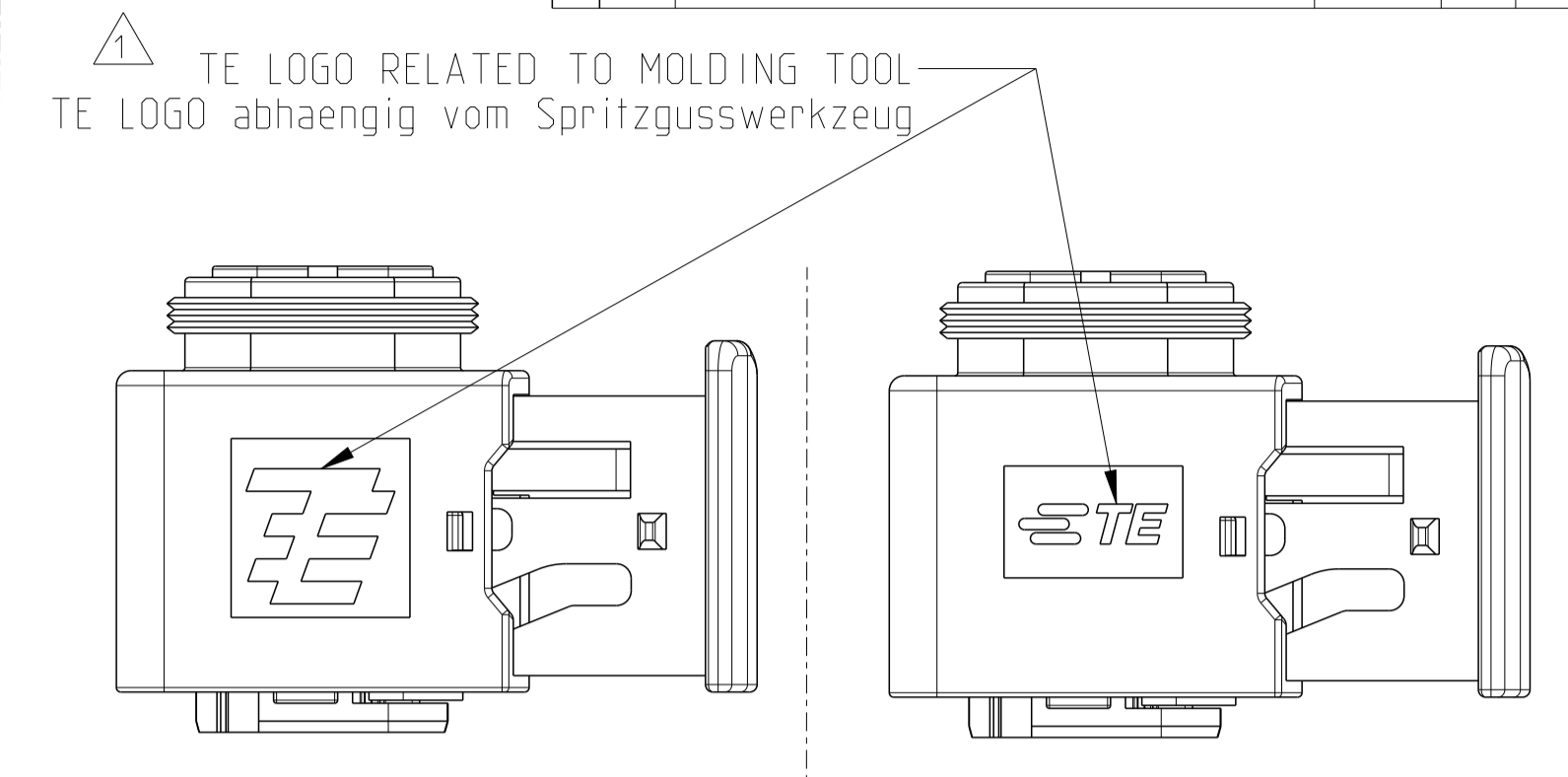
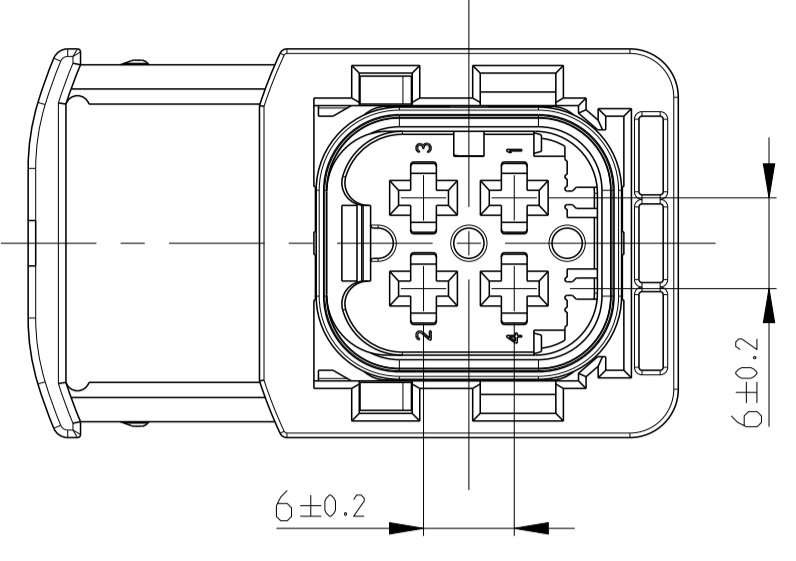
PROJECT NO. EGATN05327		REVISIONS		
REV	DATE	DESCRIPTION	BY	CHK
J	24MAY2012	DETAILS SEE PCN E-12-007625	MN	SKR
J1	15MAY2015	ECR-15-007756	SK	Krauss
J2	07SEP2016	ADD VIEW WITH NEW TE- LOGO	HD	KRAU

SLIDE IN LOCKED POSITION
 Schieber in Verriegelungsposition



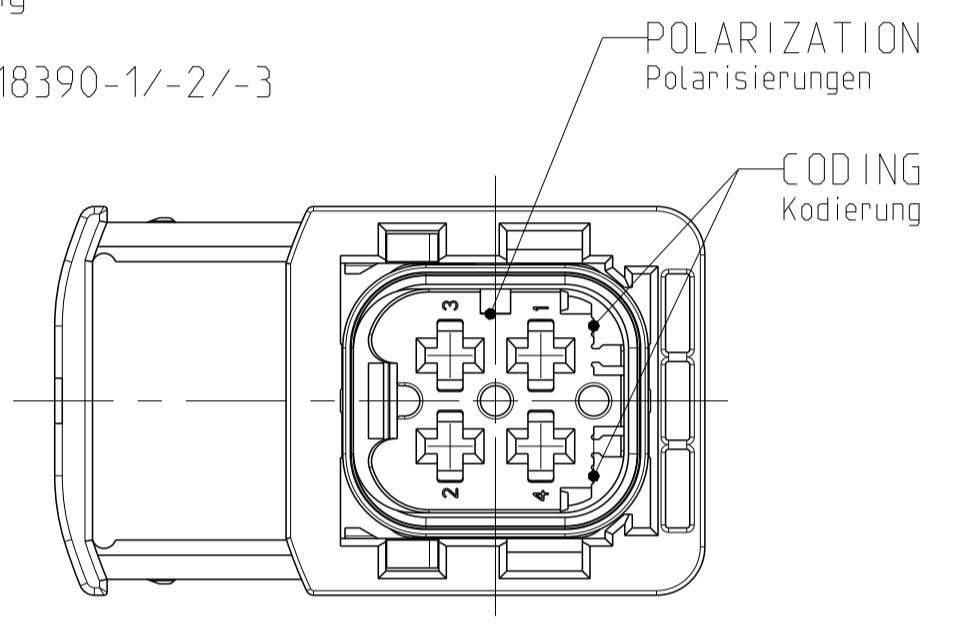
DELIVERY CONDITION:
 Lieferzustand:

SECONDARY LOCKING AND SLIDE
 IN PRE-LOCKED POSITION
 2. Kontaktsicherung und Schieber
 in Vorraststellung



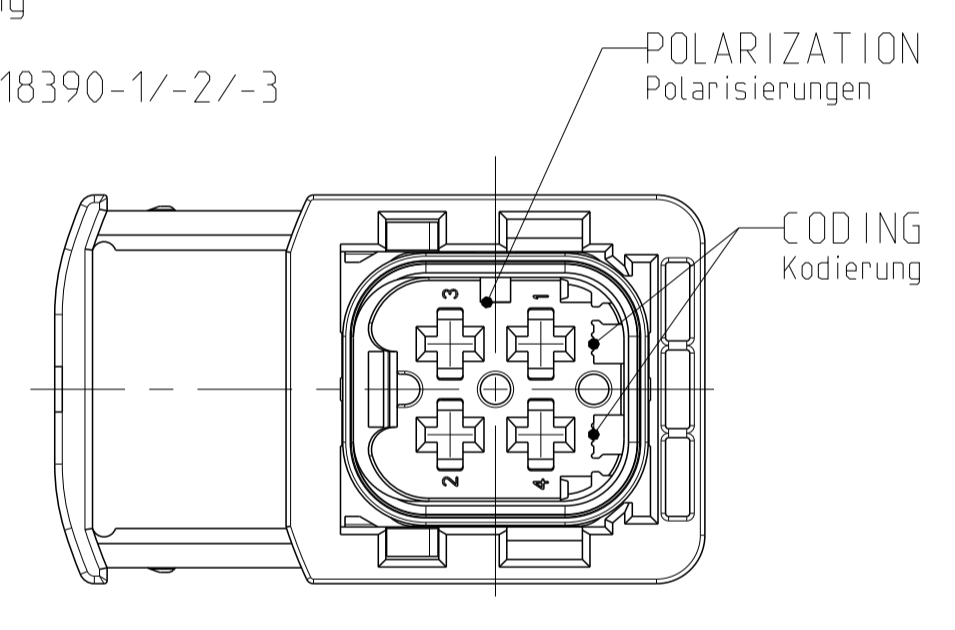
CODING A
 Kodierung

PN 1-1418390-1/-2/-3



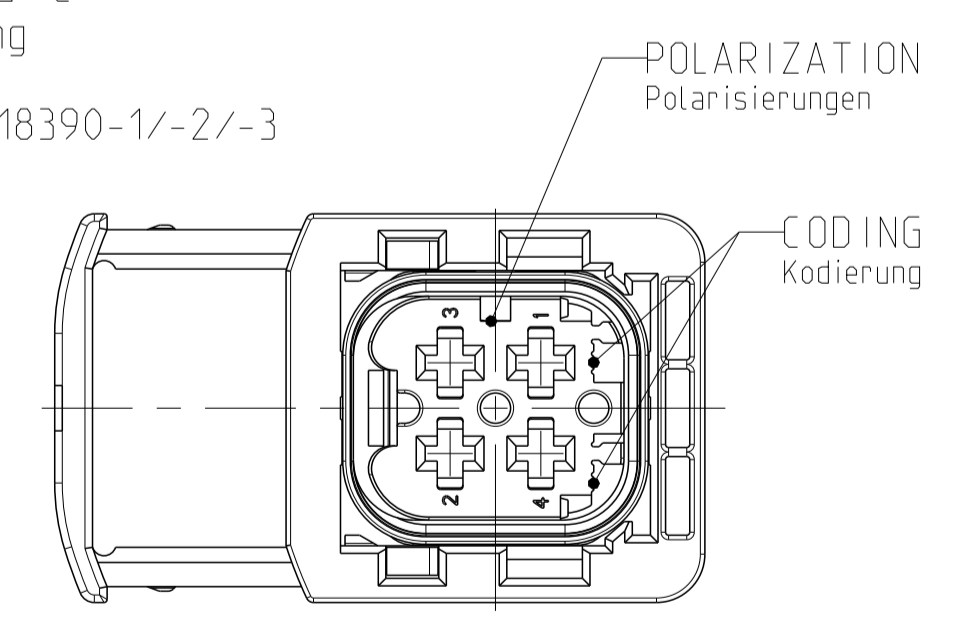
CODING B
 Kodierung

PN 2-1418390-1/-2/-3



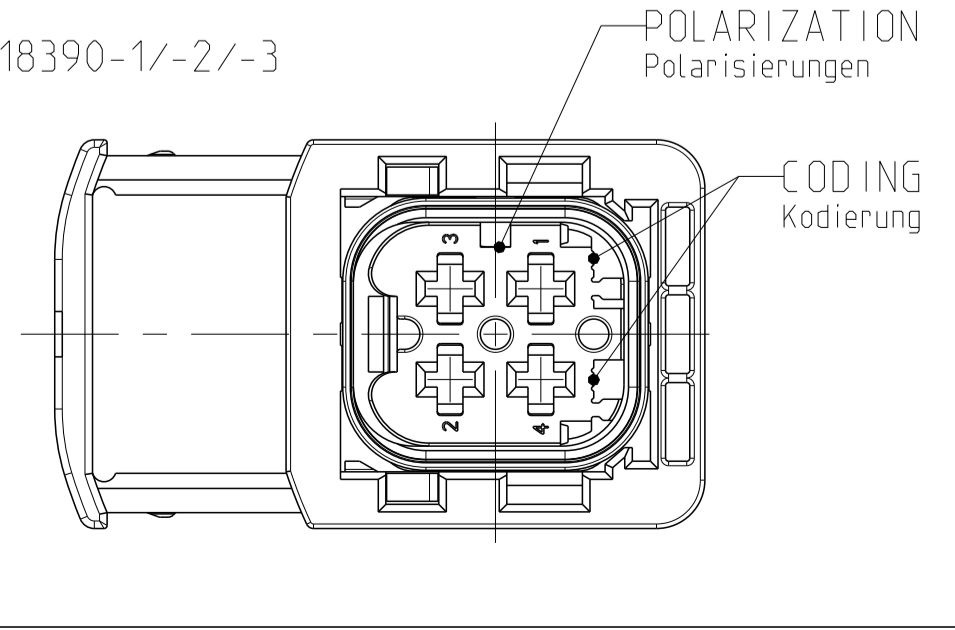
CODING C
 Kodierung

PN 3-1418390-1/-2/-3



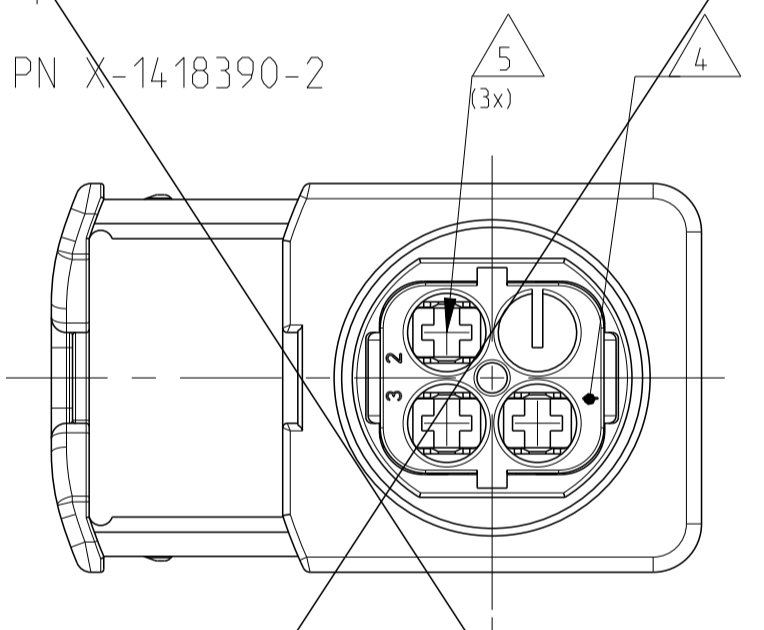
CODING D
 Kodierung

PN 4-1418390-1/-2/-3



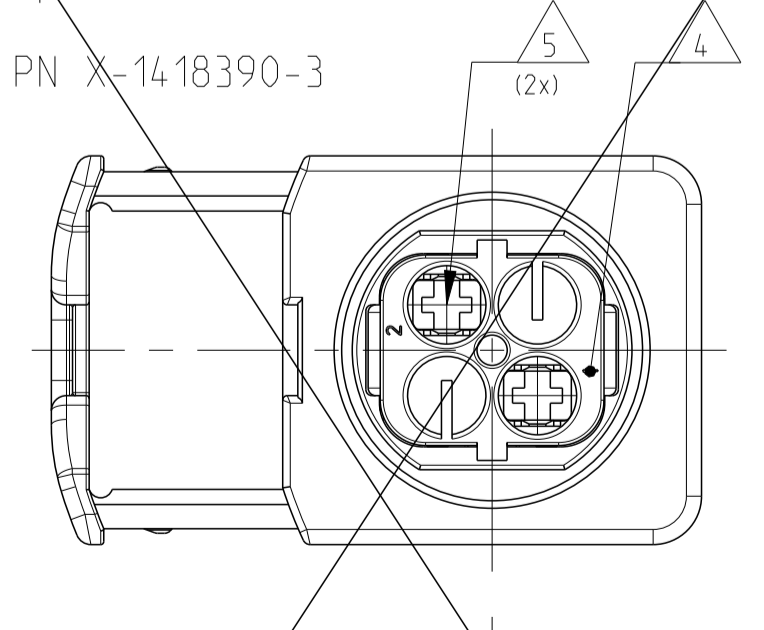
3POS. VERSION
 3pol. Version

PN X-1418390-2

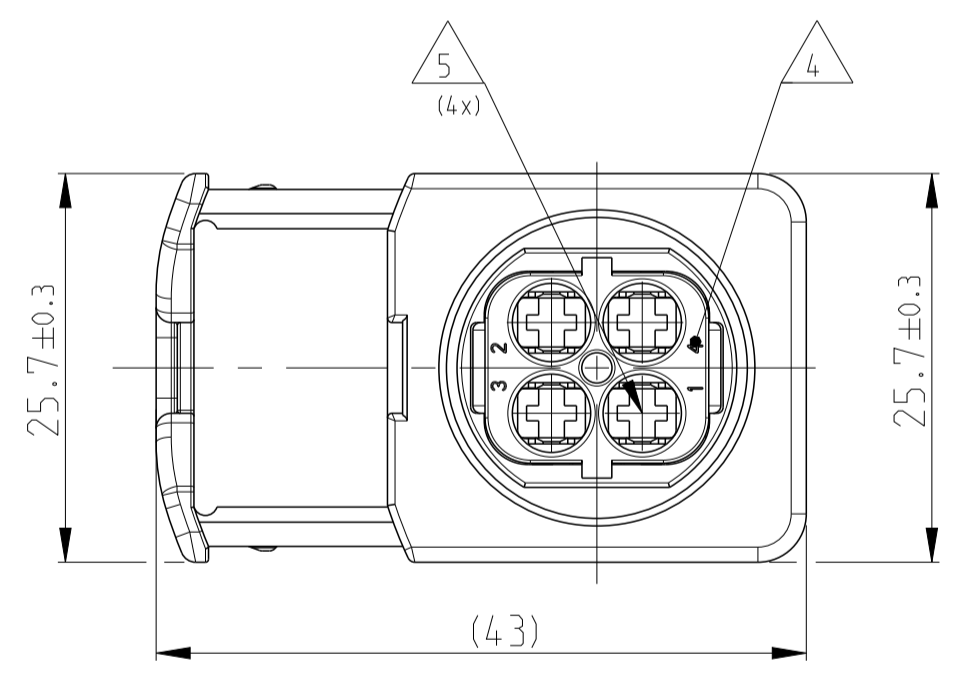
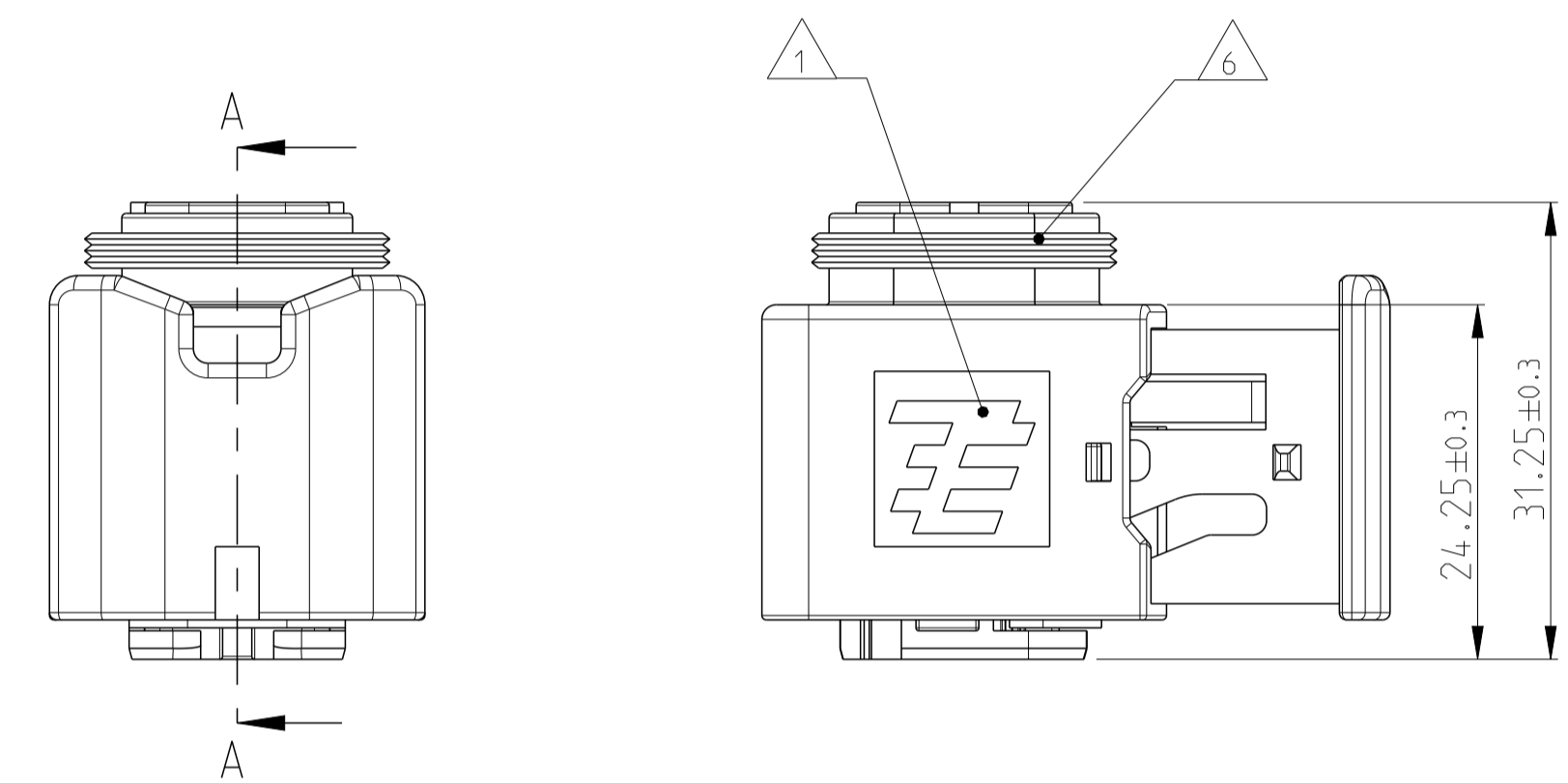
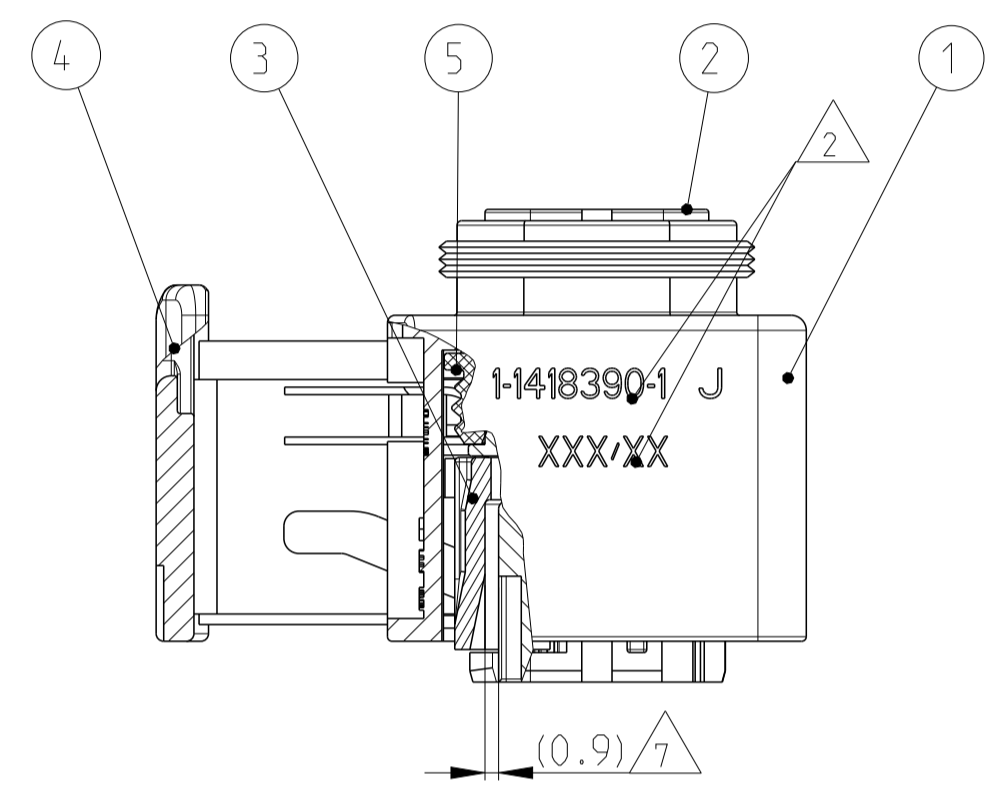


2POS. VERSION
 2pol. Version

PN X-1418390-3



SECTION A-A
 Schnitt

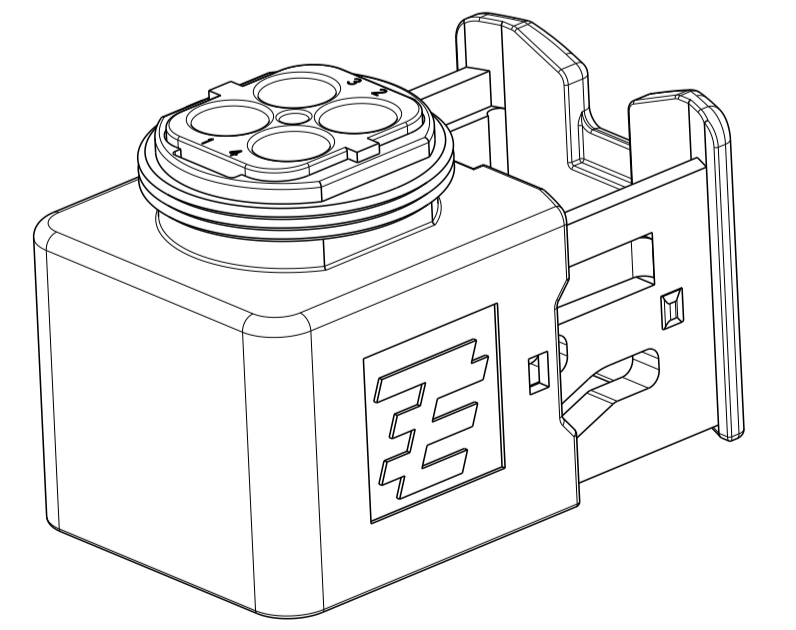


ITEM NO	DESCRIPTION	COLOR	MATERIAL	QUANTITY
1	RECEPTACLE HOUSING	BLACK	PBT-GF30 / V-0	1
2	4POS. CAVITY BLOCK, CODE "A"	BLACK	PBT-GF30 / V-0	2
2	4POS. CAVITY BLOCK, CODE "B"	GREY	PBT-GF30 / V-0	2
2	4POS. CAVITY BLOCK, CODE "C"	GREEN	PBT-GF30 / V-0	2
2	4POS. CAVITY BLOCK, CODE "D"	BLUE	PBT-GF30 / V-0	2
2	3POS. CAVITY BLOCK, CODE "A"	BLACK	PBT-GF30 / V-0	2
2	3POS. CAVITY BLOCK, CODE "B"	GREY	PBT-GF30 / V-0	2
2	3POS. CAVITY BLOCK, CODE "C"	GREEN	PBT-GF30 / V-0	2
2	3POS. CAVITY BLOCK, CODE "D"	BLUE	PBT-GF30 / V-0	2
2	2POS. CAVITY BLOCK, CODE "A"	BLACK	PBT-GF30 / V-0	2
2	2POS. CAVITY BLOCK, CODE "B"	GREY	PBT-GF30 / V-0	2
2	2POS. CAVITY BLOCK, CODE "C"	GREEN	PBT-GF30 / V-0	2
2	2POS. CAVITY BLOCK, CODE "D"	BLUE	PBT-GF30 / V-0	2
3	U-SLIDE	YELLOW	PBT-GF30 / V-0	3
4	U-SLIDE	WHITE	N/A	4
5	SEAL	WHITE	N/A	5

TE ORDER-NO.	REV.	NO. OF POS.	CODE	COLOR OF CAVITY BLOCK	QUANTITY
4-1418390-3	G	2	D	BLUE	1
3-1418390-3	G	2	C	GREEN	1
2-1418390-3	G	2	B	GREY	1
1-1418390-3	G	2	A	BLACK	1
4-1418390-2	G	3	D	BLUE	1
3-1418390-2	G	3	C	GREEN	1
2-1418390-2	G	3	B	GREY	1
1-1418390-2	G	3	A	BLACK	1
4-1418390-1	J	4	D	BLUE	1
3-1418390-1	J	4	C	GREEN	1
2-1418390-1	J	4	B	GREY	1
1-1418390-1	J	4	A	BLACK	1

NOTES
 Bemerkungen

- TE LOGO
- ASSY PN, PRODUCTION DATE (CALENDAR DAY/YEAR); MARKING OPTIONAL AS LASER ENGRAVING OR LASER WITH COLOR CHANGE
- BULK PACKAGING IN CORRUGATED BOX
- CAVITY NUMBERING
- CAVITIES MATED WITH AMP MCP 2.8
- SUITABLE COVERS SEE PRODUCT GROUP DRAWING
- SLIDING DISTANCE OF SECONDARY LOCKING
- FITS TO TE INTERFACE DRAWING 114-18739-1
- SUITABLE COUNTERPART SEE DRAWING: 1703808, 1703818
- MALFUNCTION CAUSED BY LACQUER IS NOT COVERED BY TYCO ELECTRONICS WARRANTY.



THIS DRAWING IS A CONTROLLED DOCUMENT.
 DIMENSIONS: MILLIMETERS
 TOLERANCES: UNLESS OTHERWISE SPECIFIED: ALL TO DIN 9130-1:2003

OWN	D. Bischoff	12APR2006
CHK	J. Grandow	25APR2006
APPV	E. Eberwein	28AUG2006

NAME: 4POS. AMP MCP 2.8. REC HSG ASSY
 PRODUCT SPEC: 108-94.020
 APPLICATION SPEC: 114-18756

SCALE: 2:1
 SHEET: 1 OF 1
 REV: J2