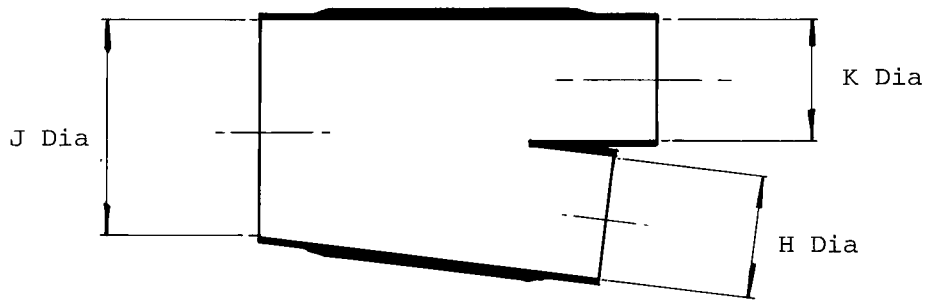
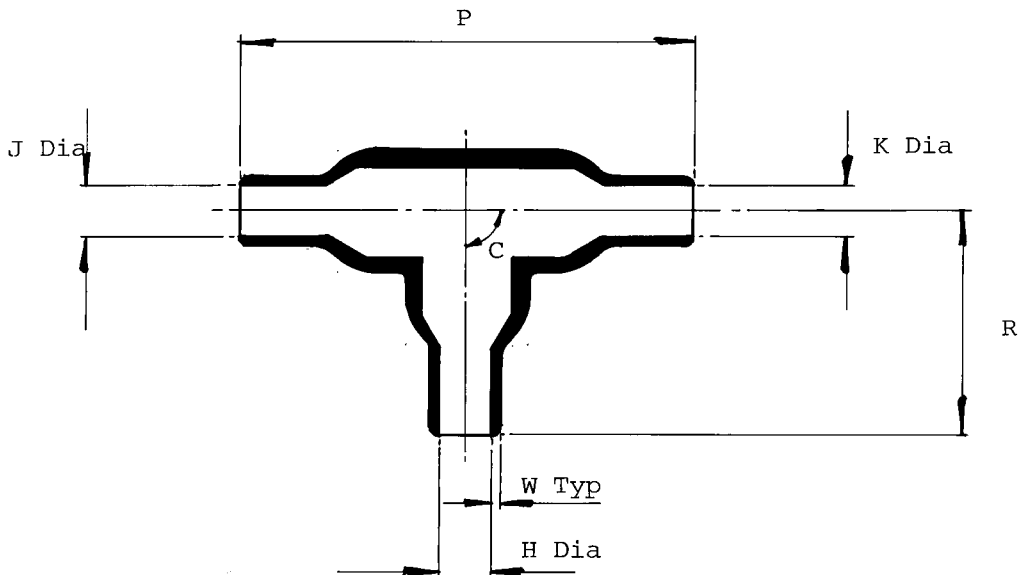


a. Part as supplied

301A034 -25 -G02



b. Part after unrestricted recovery



Dimensions (in millimetres)

Part N°	H, J & K		P	R	W	C
	Min a	Max b	± 10% b	± 10% b	± 20% b	± 5° b
301A034-25 - G02	32	13.5	120	60	2.3	90°

Drawn G Evans    Checked *SE* Issue 1    Date March 1982

Approval

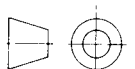
Design *DR*

MKTG *JG*

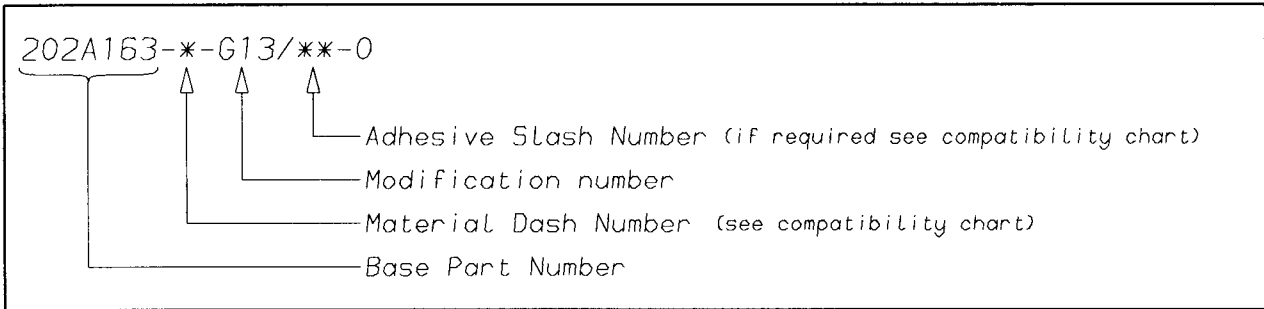
Q.C. *DR*

*Evans*

Conforms to ISO Recommendations  
3rd Angle Projection  
Not to scale



## Ordering Information



## COMPATIBILITY CHART

MATERIAL DASH NUMBER	MATERIAL DESCRIPTION	COATING SLASH NUMBER
-3	POLYOLEFIN, SEMI-RIGID	/42 ,/86
-4	POLYOLEFIN, FLEXIBLE	/42 ,/86
-25	ELASTOMER, FLUID RESISTANT	/86, /225

AS SUPPLIED DIMENSIONS ARE FOR UNCOATED PARTS,  
 WHEN COATING IS ADDED, ENTRY DIAMETERS WILL REDUCE BY 1.5mm MAX.

Raychem  
 Electronics OEM Division Europe  
 Swindon, Wiltshire, England.  
 Telephone: (01793) 528171 Fax: 573923