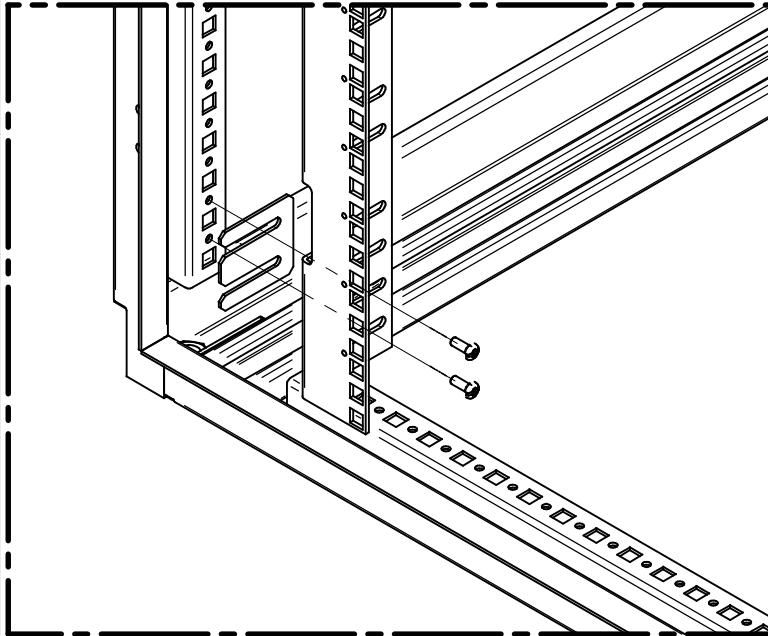


HCR/HPR SERIES

ASSEMBLY INSTRUCTIONS FOR
HCR / HPR (19" MOUNTING RAILS)

FIGURE 1



HME - 600mm Wide Frame
FIXED RAIL EXAMPLE - FRONT VIEW

FIXED RAIL LOCATIONS (FRONT / REAR OF CABINET)

600mm WIDE FRAMES:

- MOUNT RAILS DIRECTLY TO FRAME AS SHOWN IN FIGURE 1.
RAIL SHIMS REQUIRED WHEN GRID STRAPS NOT USED.

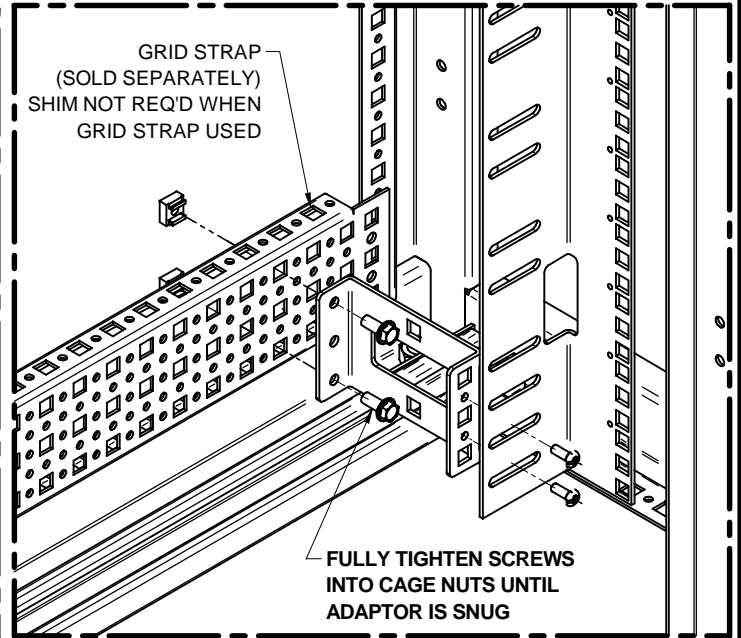
800mm WIDE FRAMES:

- USE RAIL ADAPTOR KITS, (SOLD SEPARATELY), AS SHOWN IN FIGURE 2.

HAK19800 SERIES

ASSEMBLY INSTRUCTIONS FOR
HAK19800 (RAIL ADAPTOR KIT)

FIGURE 2



HME - 800mm Wide Frame

ADJUSTABLE RAIL EXAMPLE - REAR VIEW
SHOWN WITH RAIL ADAPTOR KIT & 75mm GRID STRAP
(BOTH SOLD SEPARATELY)

ADJUSTABLE RAIL LOCATIONS (MUST USE WITH 75mm GRID STRAPS, SOLD SPARATELY)

600mm WIDE FRAMES:

- MOUNT RAILS DIRECTLY TO 75mm GRID STRAPS, (SOLD SEPARATELY), AT DESIRED LOCATION.

800mm WIDE FRAMES:

- MOUNT RAIL ADAPTORS, (SOLD SEPARATELY), TO 75mm GRID STRAPS, (SOLD SEPARATELY), AT DESIRED LOCATION AS SHOWN IN FIGURE 2.

HCR / HPR PARTS LIST

ITEM No.	DESCRIPTION	QTY
1	19" MOUNTING RAIL (HPR SHOWN)	2
2	RAIL SHIMS	4
3	#12 X 1/2 PAN HD PHILLIPS SELF-TAP	8

HAK19800 PARTS LIST

ITEM No.	DESCRIPTION	QTY
1	19" MOUNTING RAIL SPACERS	4
2	1/4-20 X 1/2 HEX HD PHILLIPS COMBO	8
3	1/4-20 CAGE NUT	8

TOOL BOX



7/16" Socket
Wrench



#2 Phillips
Screw Driver

