

THIS DRAWING IS UNPUBLISHED. RELEASED FOR PUBLICATION
 © COPYRIGHT - By - ALL RIGHTS RESERVED.

LOC	DIST	REVISIONS					
GZ	00	P	LTR	DESCRIPTION	DATE	DWN	APVD
		B		ECR-11-010872	23JUN2011	SPN	DB

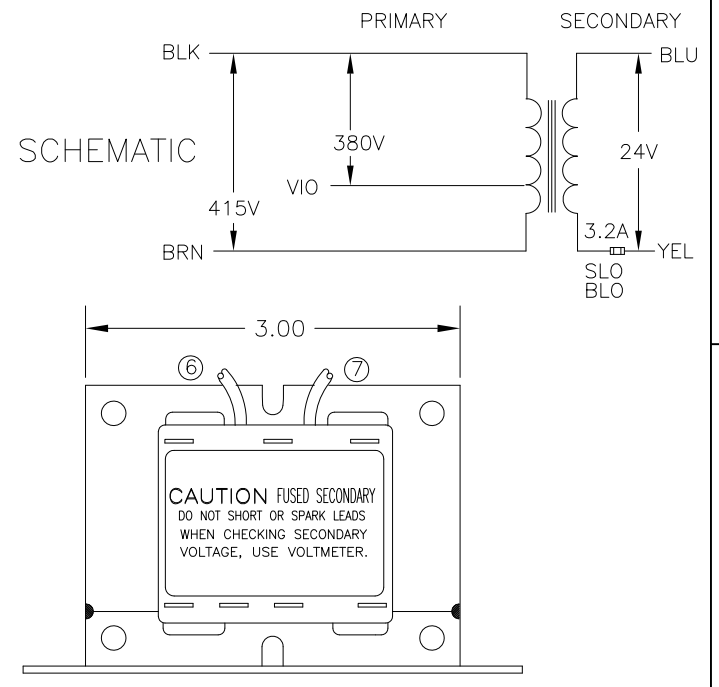
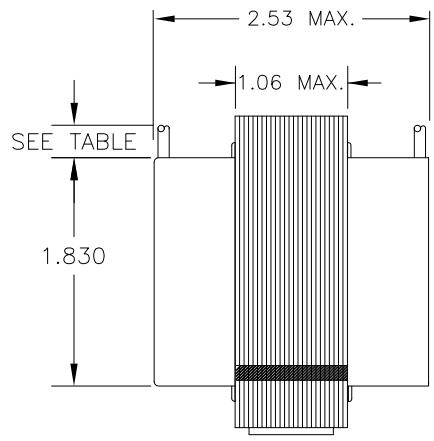
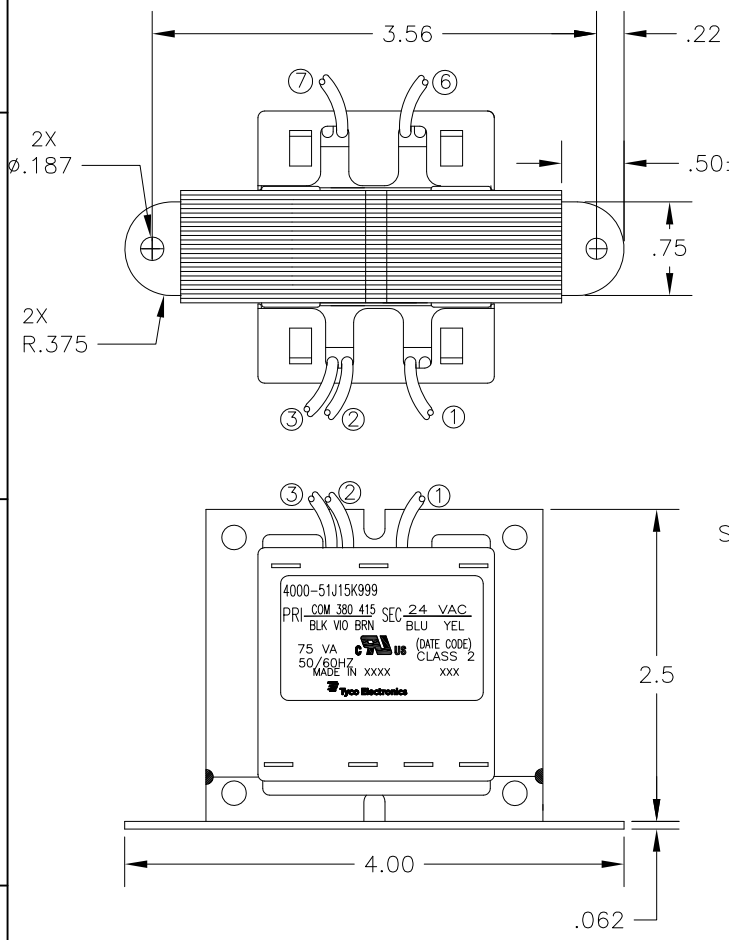
ALL LEADS 18AWG-UNLESS OTHERWISE SPECIFIED

PRIMARY					
LEAD NO.	1	2	3	4	5
VOLTAGE	COM	380	415		
COLOR	BLK	VIO	BRN		
LENGTH	12.0	12.0	12.0		
STRIP LENGTH	.50	.50	.50		

- NOTES
- ALL LEADS +1"/-0" TOL.
 - STRIP TOL. ±1/32
 - WINDING PROTECTION- 3.2 AMP SLO-BLO FUSE IN SECONDARY NON-INHERENTLY LIMITED

CERTIFICATION:
UL & CUL FILE NO. E87824

SECONDARY				
LEAD NO.	6	7	8	9
VOLTAGE	24	VAC		
COLOR	BLU	YEL		
LENGTH	12.0	12.0		
STRIP LENGTH	.50	.50		



CUST. NUMBER: - TE PART NUMBER: 1-1611469-5

THIS DRAWING IS A CONTROLLED DOCUMENT.		DWN M.DAVIS 05MAR04	TE Connectivity													
DIMENSIONS: INCHES		CHK K.HOLSCHUH 05MAR04														
TOLERANCES UNLESS OTHERWISE SPECIFIED: (REF. ONLY)		APVD K.HOLSCHUH 05MAR04	NAME TRANSFORMER OUTLINE													
<table border="1"> <tr><td>0 PLC</td><td>± -</td></tr> <tr><td>1 PLC</td><td>± -</td></tr> <tr><td>2 PLC</td><td>± -</td></tr> <tr><td>3 PLC</td><td>± -</td></tr> <tr><td>4 PLC</td><td>± -</td></tr> <tr><td>ANGLES</td><td>± -</td></tr> </table>		0 PLC	± -	1 PLC	± -	2 PLC	± -	3 PLC	± -	4 PLC	± -	ANGLES	± -	PRODUCT SPEC -	RESTRICTED TO -	
0 PLC	± -															
1 PLC	± -															
2 PLC	± -															
3 PLC	± -															
4 PLC	± -															
ANGLES	± -															
MATERIAL -		APPLICATION SPEC -	SIZE A3	CAGE CODE 00779												
FINISH -		WEIGHT -	DRAWING NO C=4000-51J15K999													
CUSTOMER DRAWING			SCALE NTS	SHEET 1 OF 1												