

10 9 8 7 6 5 4 3 2 1

F

E

D

C

B

A

F

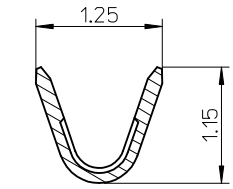
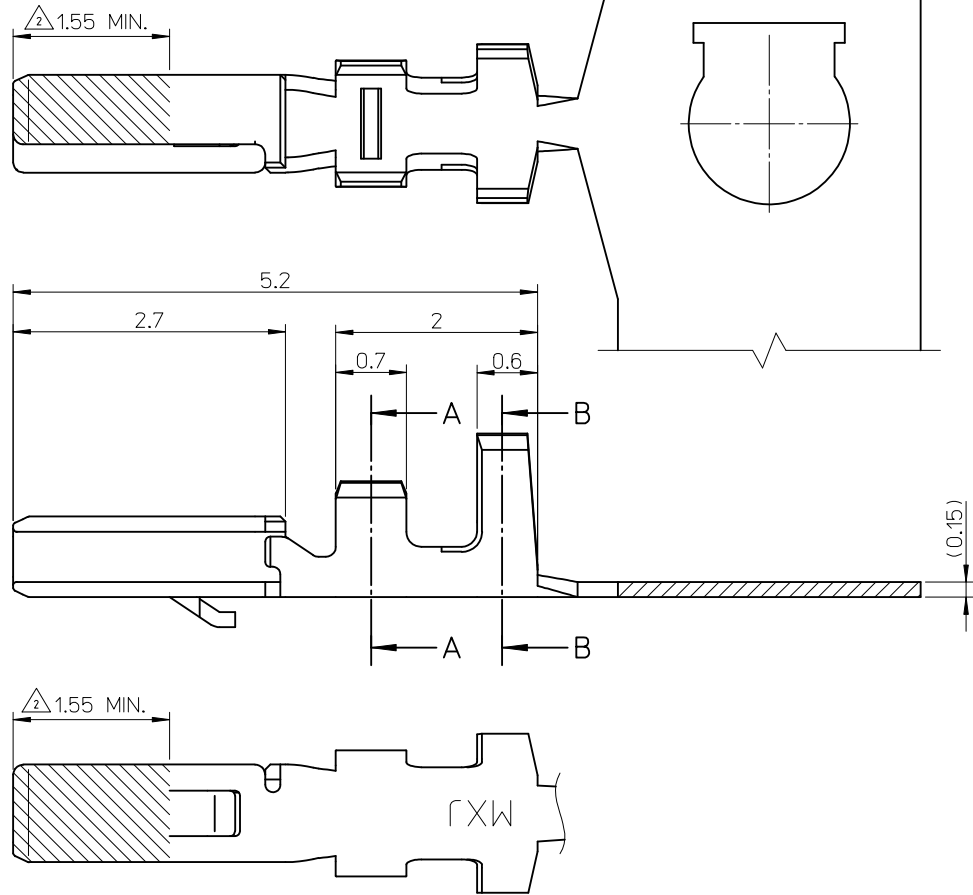
E

D

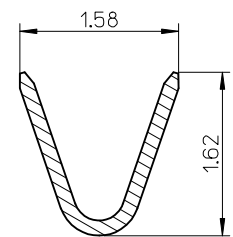
C

B

A

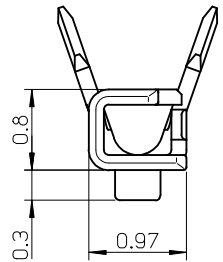


SECTION A-A



SECTION B-B

NOTES
 1.適合ハウジング: 502380-****
 APPLICABLE HOUSING : 502380-****
 2.図示の斜線部の範囲は、接点部のため、傷、打痕、汚れなどを付けないようにして下さい。
 PLEASE DON'T DAMAGE, DON'T DENT, AND DON'T MAKE IT DIRTY, BECAUSE THE RANGE IN THE SHADED PORTION SHOWN IN FIGURE IS THE CONTACT AREA.
 3.ELV AND ROHS COMPLIANT.



φ0.78-1.07mm	AWG#26-28	502381-0010	連鎖状 CHAIN
絶縁被覆外径範囲 INS. RANGE	適用電線範囲 WIRE RANGE	製品番号 MATERIAL NO.	端子形状 FORM

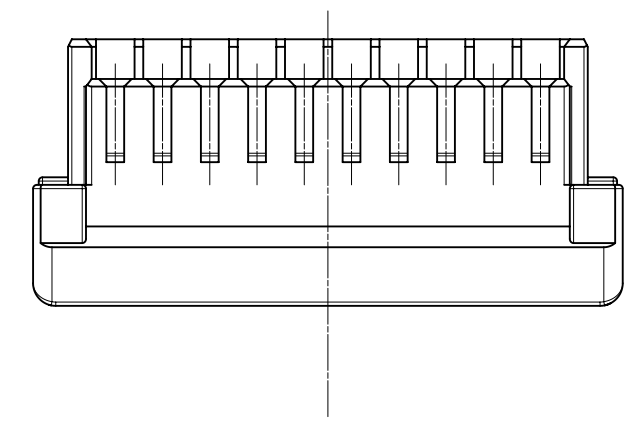
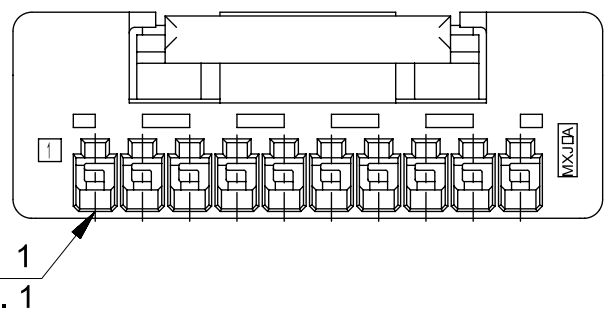
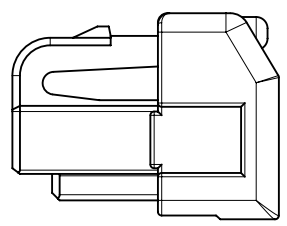
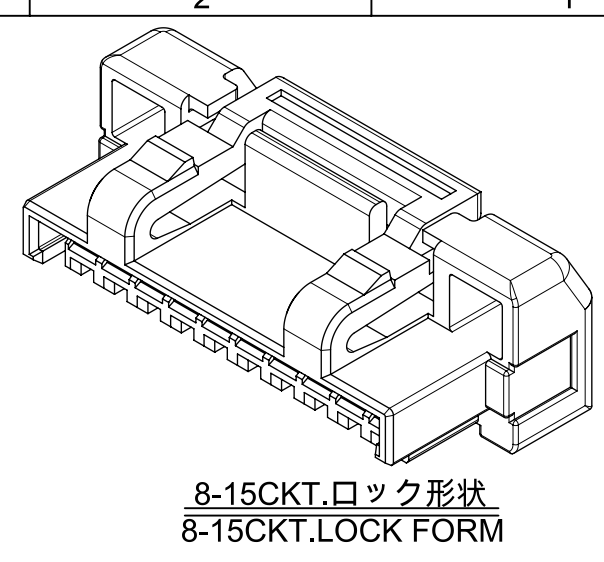
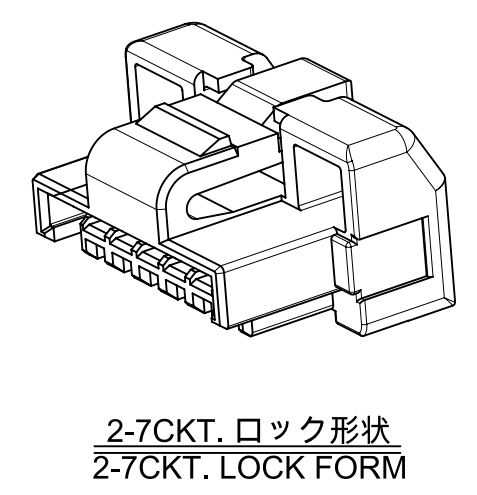
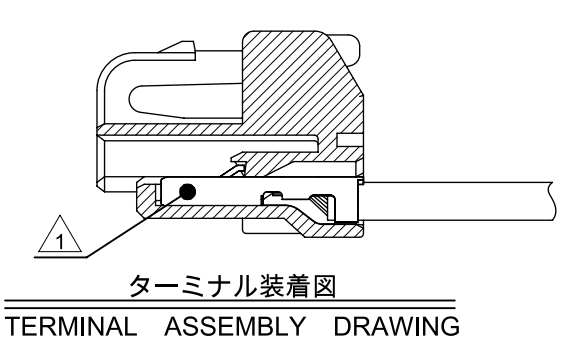
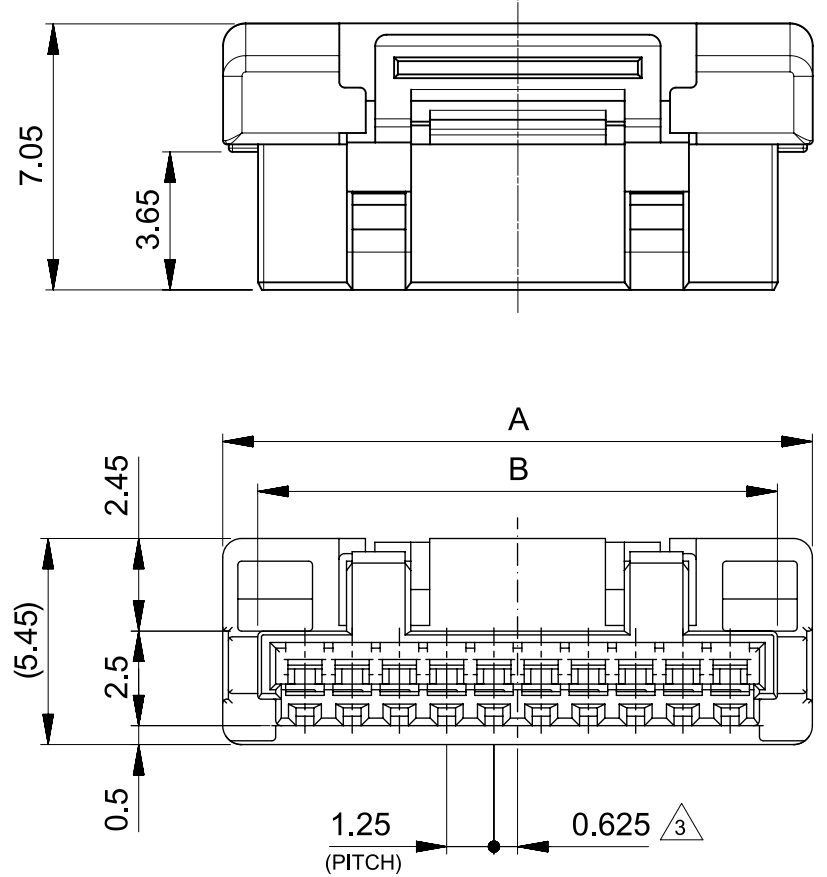
部品 PART	材質 MATERIAL
ターミナル TERMINAL	銅合金 COPPER ALLOY 前めっき REFLOW TREATMENT (PRE-PLATED) 接点部 CONTACT 金めっき:0.1マイクロメートル以上 GOLD PLATING:0.1MICRO-METER MIN. 下地めっき UNDERPLATING ニッケルめっき:0.1マイクロメートル以上 NICKEL-PLATING:0.1MICRO-METER MIN.

REVISED	DESCRIPTION	GENERAL TOLERANCES (UNLESS SPECIFIED)
EC NO: J2017-0305	2016/12/05	0.25 UNDER UNDER ±0.05
DRW:SSAT002	2016/12/05	0.25 OVER 0.5 UNDER ±0.1
CHK:DAIDA		0.5 OVER 1.0 UNDER ±0.1
APPR:KANAKO		1.0 OVER 10 UNDER ±0.2
		10 OVER 30 UNDER ±0.25
		30 OVER ±0.3
		ANGULAR ±3 °
		DRAFT WHERE APPLICABLE MUST REMAIN WITHIN DIMENSIONS

DIMENSION STYLE	
MM ONLY	
DRAWN BY	DATE
Y. AOYAGI	2007/06/28
CHECKED BY	DATE
M. ISOGAYA	2007/06/28
APPROVED BY	DATE
N. UKITA	2007/06/28
MATERIAL NO.	
SEE TABLE	
SIZE	
A3	

SCALE	DESIGN UNITS	THIRD ANGLE PROJECTION
20:1	METRIC	
TITLE		
1.25 W/B CONN. SINGLE PLUG TERMINAL		
DOCUMENT NO.		SHEET NO.
SD-502381-002		1 OF 1
THIS DRAWING CONTAINS INFORMATION THAT IS PROPRIETARY TO MOLEX ELECTRONIC TECHNOLOGIES, LLC AND SHOULD NOT BE USED WITHOUT WRITTEN PERMISSION		

9 8 7 6 5 4 3 2 1



NOTES

- ① 適合ターミナル : 502381-00**
APPLICABLE TARMINAL : 502381-00**
2. 嵌合相手 : 202810**70(カバーテープ無し), 202810**72(カバーテープ有り)
MATE WITH : 202810**70(without cover tape), 202810**72(with cover tape)
- ③ 極数/2 = 偶数に適合
APPLY FOR CKT. SIZE /2 = EVEN.
4. 本製品のプラスチック部に黒点等が確認される場合や色合いが異なる場合がありますが、製品性能に影響はありません。
THERE IS NO INFLUENCE IN THE PRODUCT PERFORMANCE THOUGH THE BLACK SPOT ETC. MIGHT BE CONIRMED TO THE PLASTIC PART OF THIS PRODUCT AND THE SHADE MIGHT BE DIFFERENT.
5. アプリケーション仕様書(コネクタ取扱い説明書) : AS-502380-001(日本語版)/-002(英語版)
APPLICATION SPECIFIONS (CONNECTOR MANNUAL): AS-502380-001(Japanese)/-002(English)
6. 製品仕様書: 2028120000PS000
PRODUCT SPECIFICATION : 2028120000PS000
7. 梱包仕様書: 208129200PS200
PACKAGING SPECIFICATIONS: 20028129200PS200
8. 本製品はSD-502380-001/002のLOW-HALOGEN品である。
THIS PRODUCT IS A LOW-HALOGEN OF SD-502380-001/002.

20	21.85		15
18.75	20.6		14
17.5	19.35		13
16.25	18.1		12
15	16.85		11
13.75	15.6		10
12.5	14.35		9
11.25	13.1		8
10	11.85		7
8.75	10.6		6
7.5	9.35	202812 0500	5
6.25	8.1	202812 0400	4
5	6.85	202812 0300	3
3.75	5.6		2
B	A	製品番号 MATERIAL NO.	極数 CKT.NO.

部品 PART	材質 MATERIAL		
ハウジング HOUSING	ポリエステル(PBT) UL94V-0 色 : NATURAL POLYESTER(PBT) UL94V-0 COLOR: NATURAL		
RELEASE STATUS	P1	RELEASE DATE	16.03.2017 09:11:44

QUALITY SYMBOLS				THIS DRAWING CONTAINS INFORMATION THAT IS PROPRIETARY TO MOLEX ELECTRONIC TECHNOLOGIES, LLC AND SHOULD NOT BE USED WITHOUT WRITTEN PERMISSION			
▽A	= 0	RELEASED EC NO: 114423 DRWN: AISHIKAWA CHK'D: AIDA APPR: TKANEKO	2016/12/02 2017/03/16 2017/03/16	GENERAL TOLERANCES (UNLESS SPECIFIED)		DIMENSION UNITS	SCALE
▽E	= 0			ANGULAR TOL ± 3.0 °		MM	5:1
▽F	= 0			4 PLACES ± 0.2	DRWN BY	DATE	
▽	= 0			3 PLACES ± 0.2	AISHIKAWA	2016/12/02	
▽C	= 0			2 PLACES ± 0.2	CHK'D BY	DATE	
▽	= 0			1 PLACE ± 0.2	AIDA	2017/03/16	
▽	= 0			0 PLACES ± 0.2	APPR BY	DATE	
▽	= 0			DRAFT WHERE APPLICABLE MUST REMAIN WITHIN DIMENSIONS		TKANEKO	2017/03/16
▽	= 0					DRAWING SIZE	THIRD ANGLE PROJECTION
▽	= 0					A3	
				molex			
				CLIK-MATE 1.25 SINGLE ROW PLUG HSG LOW-HALOGEN			
				PRODUCT CUSTOMER DRAWING			
SERIES		MATERIAL NUMBER		CUSTOMER			
202812		SEE TABLE		GENERAL			
DOCUMENT NUMBER				DOC TYPE	DOC PART	SHEET NUMBER	
2028120000				PSD	000	1 OF 1	