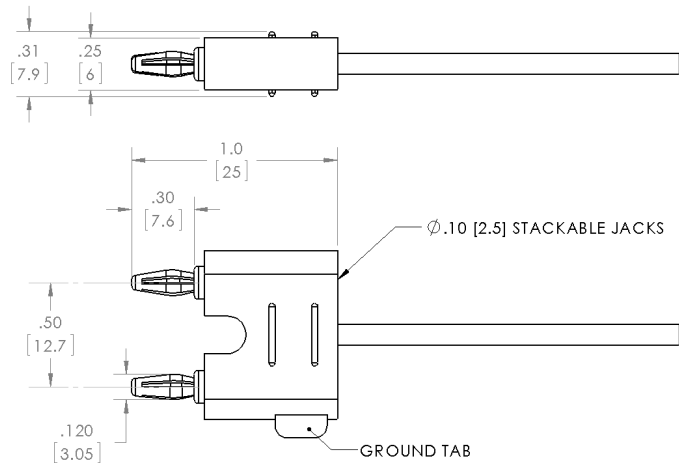


BU-P2247-K-XX

(Test Lead: Dual Stackable, Mini Banana Plugs Each End, RG174)



- The BU-P2247-K-XX is a test lead with dual stackable, 3mm banana plugs on each end. The mini banana plugs are spaced at .50" (12.7mm) centers.
- Constructed with RG174 Coax cable. Center conductor is 26 AWG tinned copper and the shield is tinned copper braid (98% coverage). The overmold material is polypropylene. The Banana plugs are gold plated brass and beryllium copper.
- Length: The "XX" in the model number represents the overall length in inches. Standard lengths are: 12" (30cm), 24" (61cm) , 36"(.9m), 48" (1.2m) and 60" (1.5m)
- Ratings: 50 Ohms, Hands free testing to 1000 VRMS
- RoHS Compliant