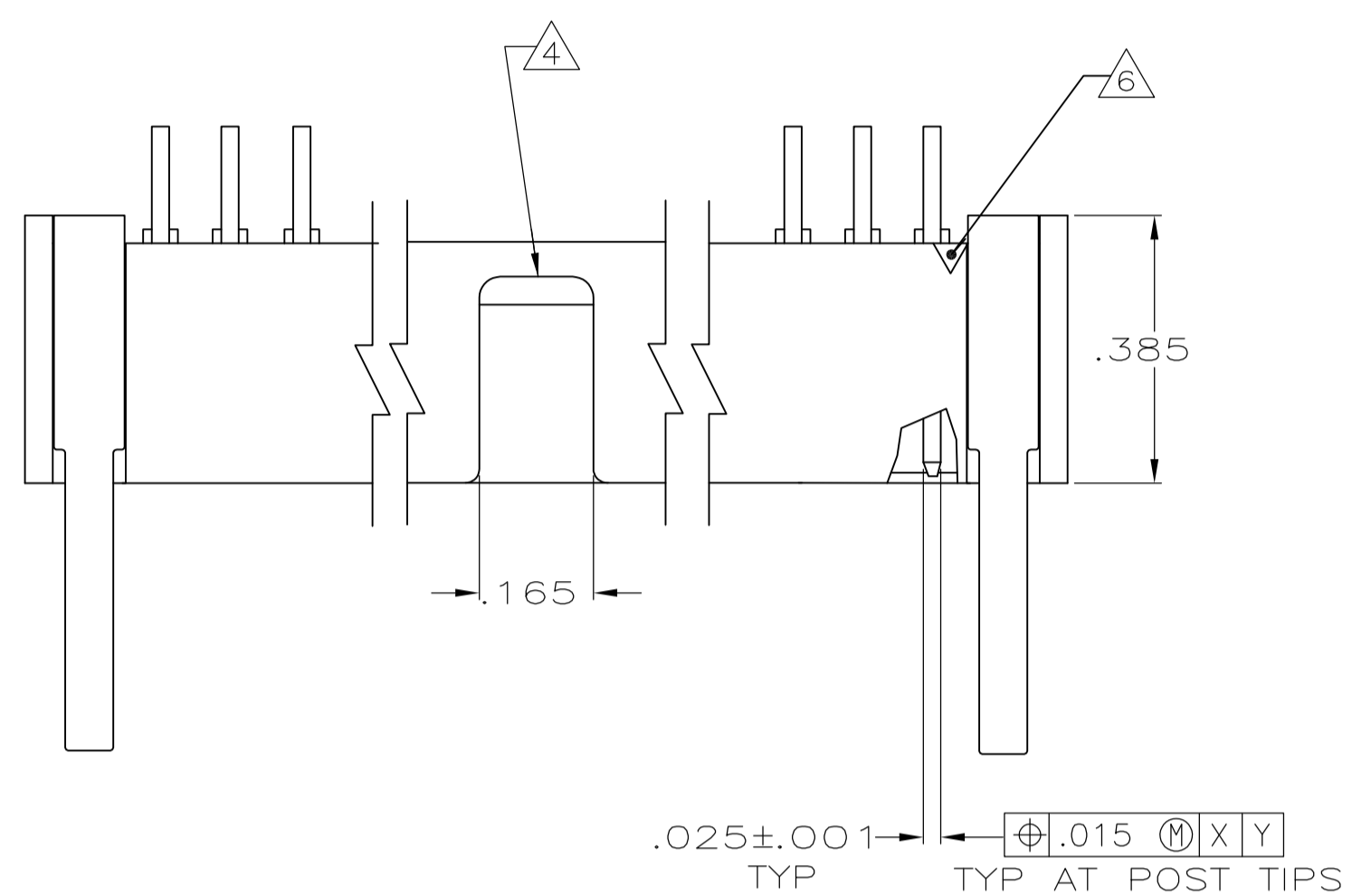
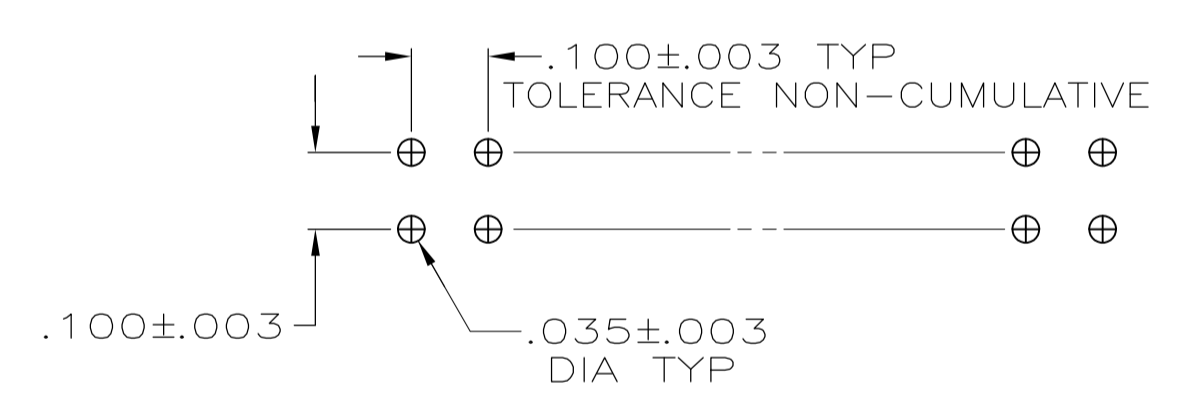
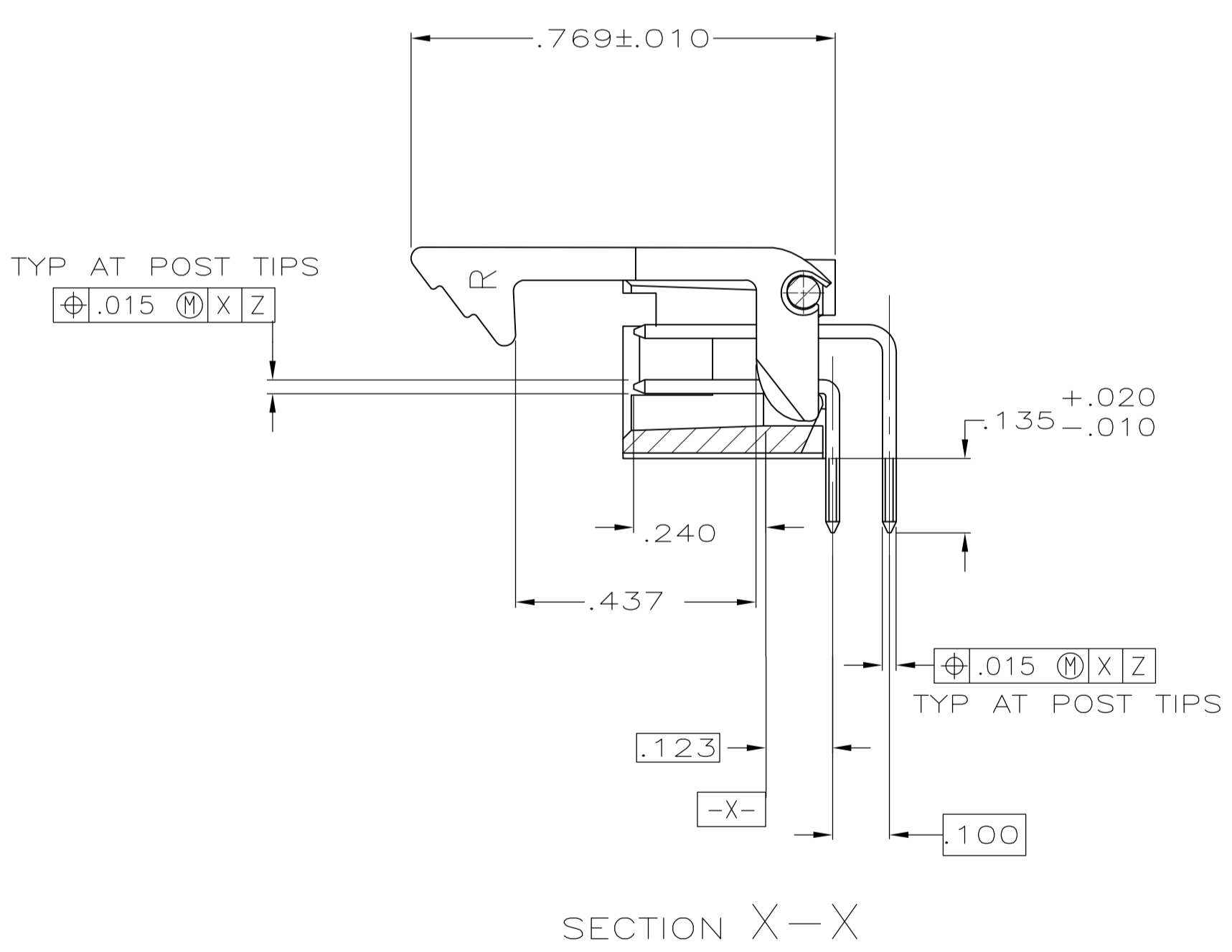
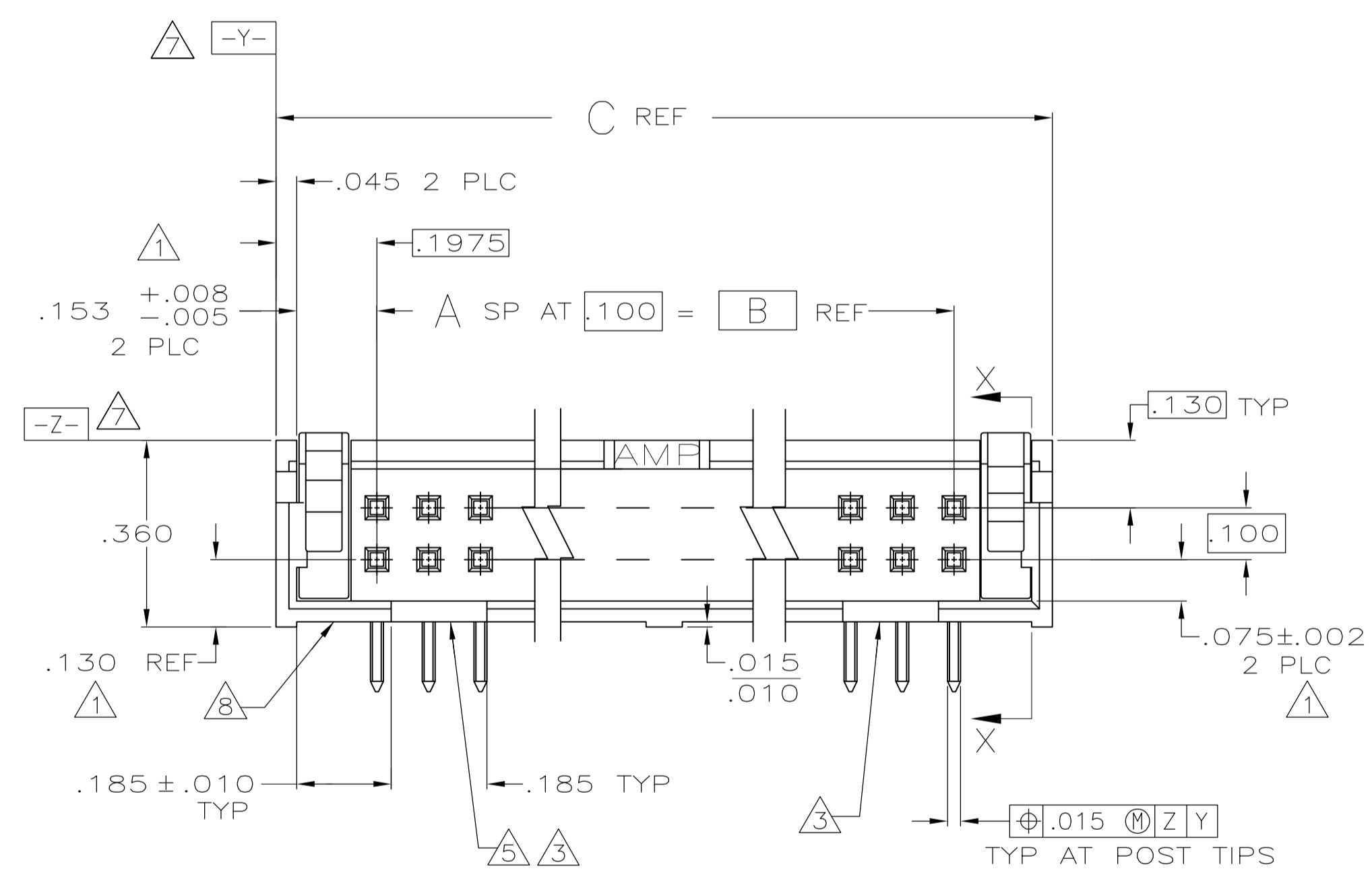


| LOC | | DIST | | REVISIONS | | | |
|-----|----|---------------------------|-----------|-----------|-----|------|--|
| GP | 00 | REV | DATE | BY | CHK | APPV | |
| M | | REVISED PER ECO-08-005380 | 10JUN2008 | ZMR | SLB | | |
| M1 | | REVISED PER ECO-09-021826 | 09JAN10 | KK | AEG | | |



- 1 THE NOTED DIMENSIONS APPLY AT THE INTERSECTION OF THE POST AND HOUSING
- 2 GOLD FLASH OVER
 PALLADIUM-NICKEL PLATE, .000030 MIN TOTAL ON THE MATING SURFACES,
 .000100 MIN TIN-LEAD PLATE ON THE SOLDER-TAIL,
 .000050 MIN NICKEL UNDERPLATE ON THE ENTIRE POST.
 OR
 .000030 MIN GOLD PLATE ON THE MATING SURFACES,
 .000100 MIN TIN-LEAD PLATE ON THE SOLDER-TAIL,
 .000050 MIN NICKEL UNDERPLATE ON THE ENTIRE POST.
- 3 DOUBLE BAR POLARIZATION
- 4 CENTER POLARIZATION SLOT
- 5 FOR 10 POSN ASSEMBLY, SLOT OMITTED WHERE INDICATED
- 6 NUMBER 1 POSITION INDICATOR.
- 7 DATUMS [-Y-] AND [-Z-] APPLY AT THE BASE OF THE SHROUD WALL.
- 8 OPTIONAL AMP IDENTIFICATION NUMBER (DATE CODE).
 LOCATION APPROXIMATELY WHERE SHOWN.
- 9 MATERIAL: HOUSING: GLASS FILLED NYLON, FLAME RETARDANT, BLACK.
 POSTS: BRASS.
- 10 OBSOLETE PARTS: OBSOLETE CIS STREAMLINING PER D.RENAUD/D.SINISI



| | | | | | | |
|----------|---------------------------|-------|-------|----|----|------------|
| 10 | SUPERSEDED BY 1-1761609-6 | 3.300 | 2.900 | 29 | 60 | 1-104315-0 |
| | | 2.800 | 2.400 | 24 | 50 | 104315-9 |
| OBSOLETE | | 2.500 | 2.100 | 21 | 44 | 104315-8 |
| | | 2.300 | 1.900 | 19 | 40 | 104315-7 |
| | | 2.000 | 1.600 | 16 | 34 | 104315-6 |
| | | 1.600 | 1.200 | 12 | 26 | 104315-5 |
| | SUPERSEDED BY 1761609-9 | 1.300 | .900 | 9 | 20 | 104315-4 |
| | SUPERSEDED BY 1761609-7 | 1.100 | .700 | 7 | 16 | 104315-3 |
| | SUPERSEDED BY 1761609-6 | 1.000 | .600 | 6 | 14 | 104315-2 |
| | SUPERSEDED BY 1761609-5 | .800 | .400 | 4 | 10 | 104315-1 |

| C | B | A | NO OF POSN | ASSEMBLY PART NUMBER |
|---|---|---|------------|----------------------|
| | | | | |

| | | | | |
|--|-----------|----------------------|---|--------------|
| THIS DRAWING IS A CONTROLLED DOCUMENT. | | DWG: G DOUTY 1-26-88 | Tyco Electronics Corporation Harrisburg, PA 17105-3608 | |
| DIMENSIONS: INCHES | | CHK: R FEJDT 1-26-88 | NAME: Tyco Electronics | |
| TOLERANCES UNLESS OTHERWISE SPECIFIED: | | APPV: - | PRODUCT SPEC: 108-40018 | |
| 0 PLC | ± .005 | APPLICATION SPEC: - | | |
| 1 PLC | ± .005 | SIZE: A1 | | |
| 2 PLC | ± .005 | CAGE CODE: 00779 | | |
| 3 PLC | ± .005 | DRAWING NO: 104315 | | |
| 4 PLC | ± .005 | RESTRICTED TO: - | | |
| ANGLES | ± .005 | WEIGHT: - | | |
| MATERIAL: A | FINISH: A | CUSTOMER DRAWING | | |
| | | SCALE: 4:1 | | SHEET 1 OF 1 |
| | | | | REV: M1 |