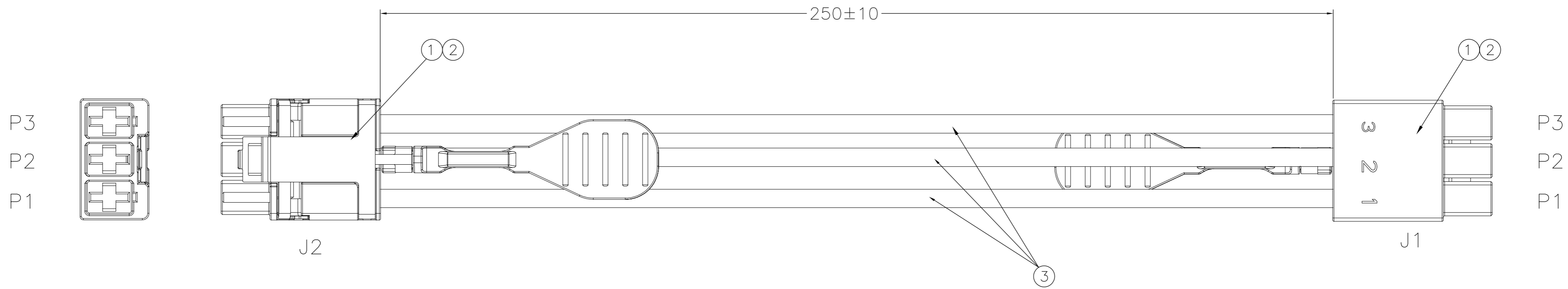


THIS DRAWING IS UNPUBLISHED. RELEASED FOR PUBLICATION
 © COPYRIGHT - 12JUN2016 ALL RIGHTS RESERVED.

REVISIONS				
P	LTR	DESCRIPTION	DATE	APVD
1		INITIAL DRAWING	12JUN2016	AC DZ



WIRING CHART

FROM	WIRE COLOR	TO
J1-P3	BLACK	J2-P3
J1-P2	BLACK	J2-P2
J1-P1	BLACK	J2-P1

2304886-1	NO DETECT PIN
TE P/N	DESCRIPTION

AR	MR	DESCRIPTION	ITEM
-1	U/M	WIRE, AWG12, BLACK	3
6	PC	ET CONTACT, AWG12	2
2	PC	ET HSG, 3 POS, LONG PULL-TAB, NO DETECT PIN	1

NOTES:
 1. 100% ELECTRICAL TEST FOR CONTINUITY, OPENS AND SHORTS.

PRODUCT AND PROCESSING MUST MEET REQUIREMENTS OF TE CONNECTIVITY ENVIRONMENTAL STANDARD TEC-138-702

THIS DRAWING IS A CONTROLLED DOCUMENT.		DWN ADAM CHEN 12JUN2016	TE TE Connectivity	
DIMENSIONS: mm		CHK - APVD DAVID ZHANG 12JUN2016		
TOLERANCES UNLESS OTHERWISE SPECIFIED: 0 PLC ± - 1 PLC ± - 2 PLC ± - 3 PLC ± - 4 PLC ± - ANGLES ± -		PRODUCT SPEC - APPLICATION SPEC -	SIZE A2	CAGE CODE 00779
MATERIAL -		FINISH -	DRAWING NO C=2304886	RESTRICTED TO -
CUSTOMER DRAWING			SCALE N.T.S	SHEET 1 of 1
			REV 1	