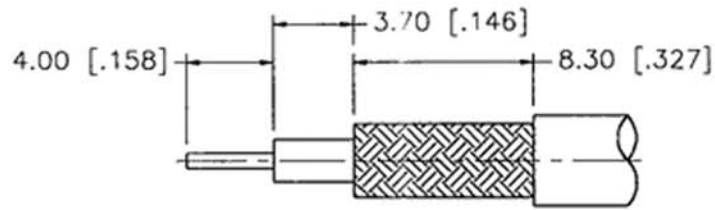
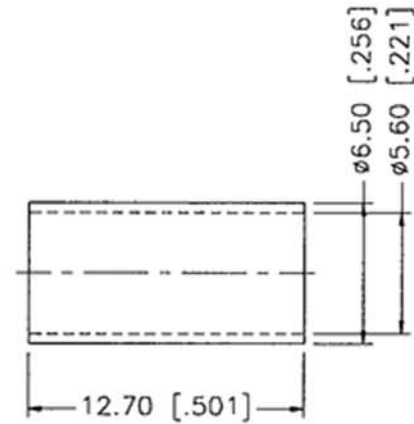
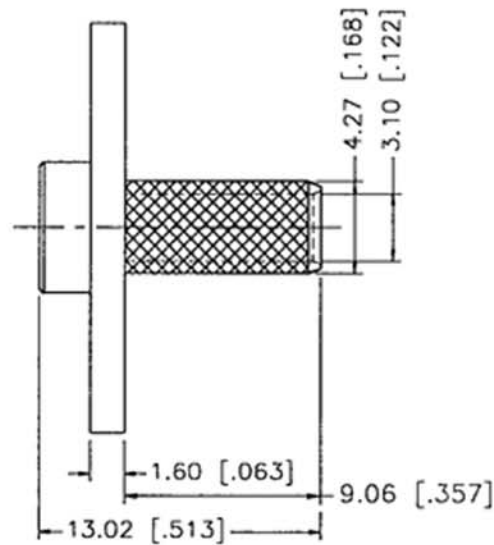
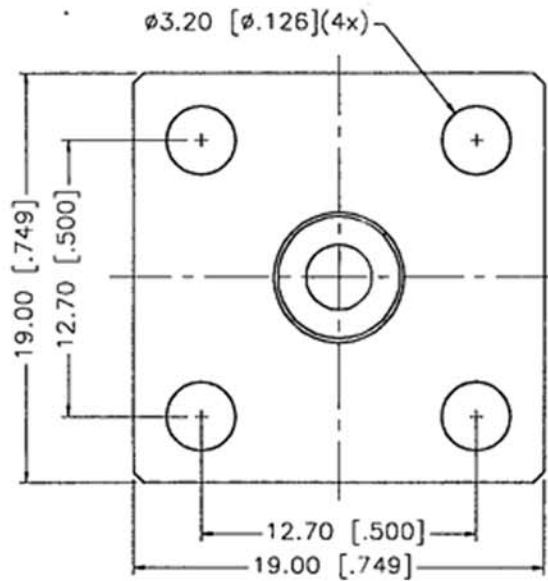



REV.	DATE	DESCRIPTION
NC	12/19/99	INITIAL RELEASE



RECOMMENDED
CABLE STRIPPING DIMS.



8				UNLESS OTHERWISE SPECIFIED DIMENSIONS ARE IN MILLIMETERS	APPROVALS	DATE	 Connex Connector Corporation			
7					DRAWN	G.R.S.				
6				DIMENSIONS IN [] ARE IN INCHES FOR CUSTOMER REFERENCE ONLY	CHECKED		TITLE 4 HOLE FLANGE MOUNT TERMINATION (FOR RG-223/142/400 CABLE)			
5				UNLESS OTHERWISE SPECIFIED TOLERANCES FOR MILLIMETERS ARE:	ISSUED					
4				0.5-6 = ± 0.2			SIZE	FSCM NO.	DWG. NO.	REV.
3	FERRULE	BRASS	NICKEL	6-30 = ± 0.4			A	99001	142278.DWG	NC
2	FLANGE	BRASS	NICKEL	30-120 = ± 0.6						
1	BODY	BRASS	NICKEL	120-315 = ± 1						
				315-1000 = ± 1.6						
				1000-2000 = ± 2.4						
	DESCRIPTION	MATERIAL	FINISH	DO NOT SCALE DRAWING	SCALE	NA	PART NO.	142278	SHEET	1 OF 1