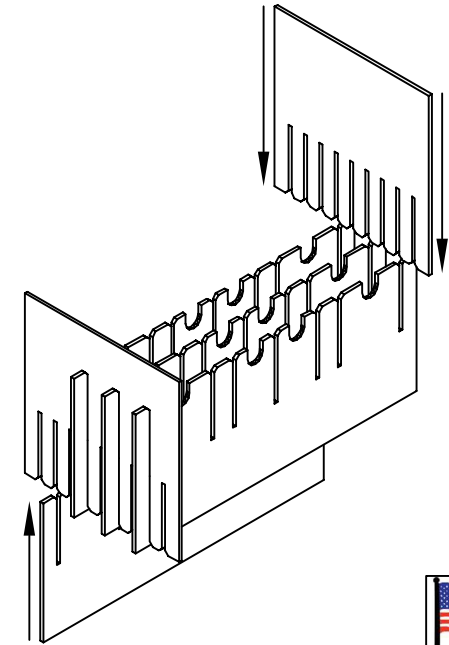
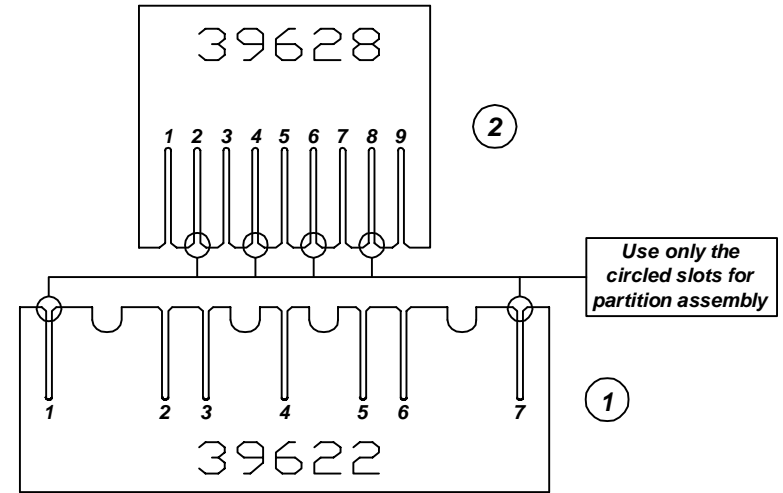
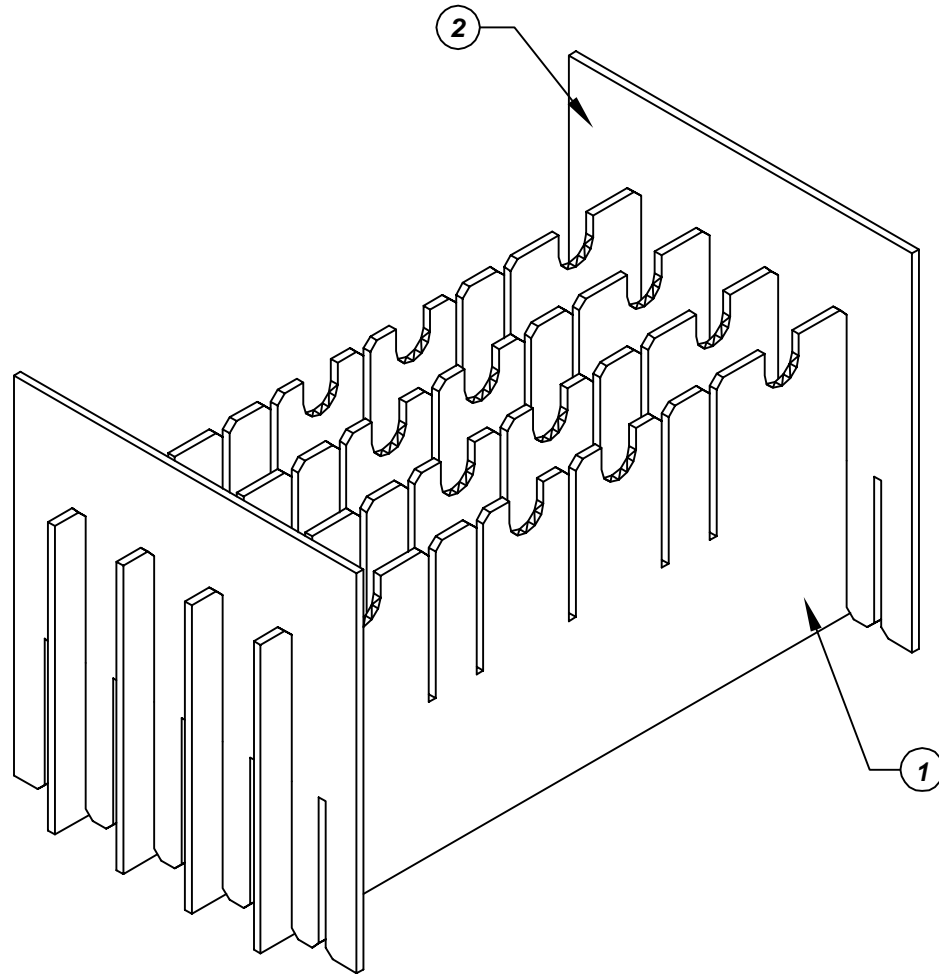


Assembly Instructions for - 37184



Made in America

F/N ①	Part # 39622	Dimensions: 19-3/4" x 22-3/4"	Description: 404/440-LP Long Partition	Qty: 4
F/N ②	Part # 39628	Dimensions: 25-1/2" x 12-1/2"	Description: 404-SP Short Partition	Qty: 2

37184 - 5 Cell Inplant Handler
Cell Size - 12-5/8" x 20-1/8" x 2-1/4"

Notes:
 For use with the following storage container & lid:
 37504 - Storage Container
 37552 - Lid

PROTEKTIVE PAK
 13520 MONTE VISTA AVENUE, CHINO, CA 91710
 PHONE (909) 627-2578, FAX (909) 363-7331
 ProtectivePak.com

PROTEKTIVE PAK
 BURIED CONDUCTIVE LAYER

DRAWING NUMBER
IPH-37184

DATE
 Dec.
 2007