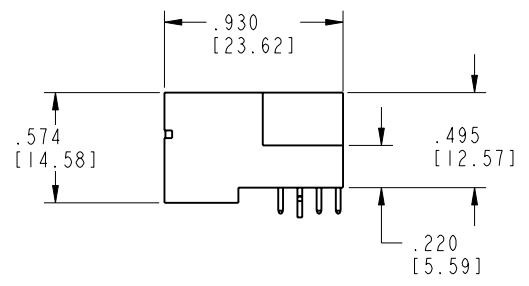
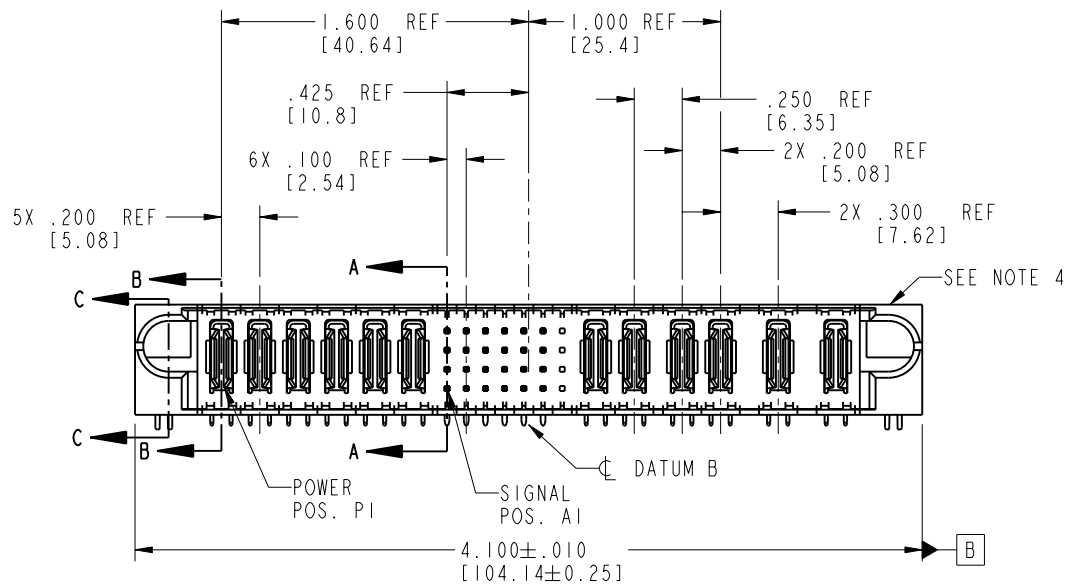
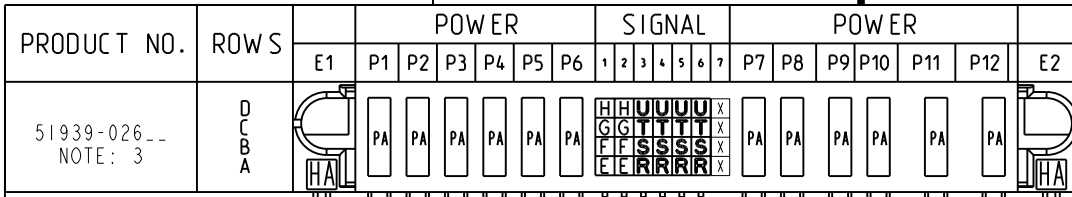


Tous droits strictement réservés. Reproduction ou communication o des liens interdite sous quelque forme que ce soit sans autorisation écrite du propriétaire. Propriété de c FCI. Droits de reproduction FCI.

All rights strictly reserved. Reproduction or issue to third parties in any form whenever is not permitted without written authority from the proprietor. Property of FCI. Copyright FCI.



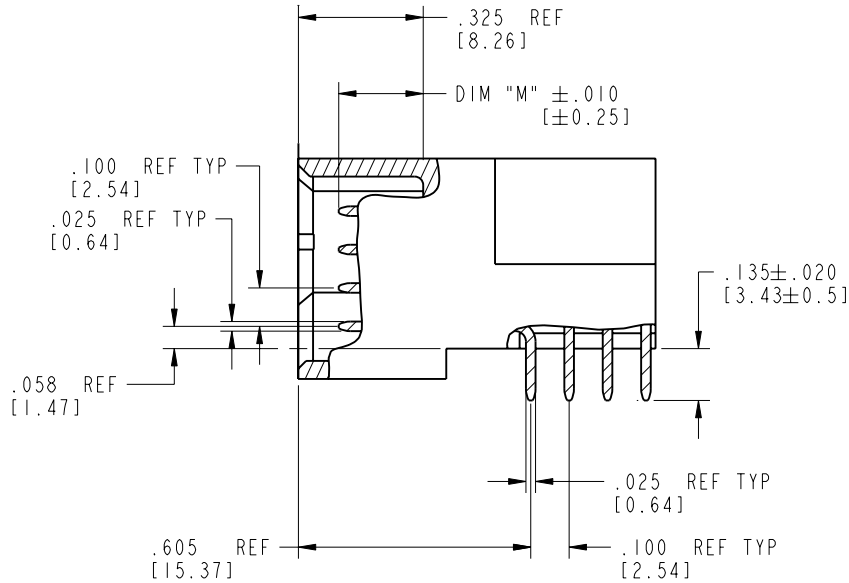
CODE	DIM "M" MATING LENGTH	CONTACT TYPE
E	.220 [5.59]	SIGNAL
F	.220 [5.59]	SIGNAL
G	.220 [5.59]	SIGNAL
H	.220 [5.59]	SIGNAL
R	.270 [6.86]	SIGNAL
S	.270 [6.86]	SIGNAL
T	.270 [6.86]	SIGNAL
U	.270 [6.86]	SIGNAL
PA	N/A [N/A]	POWER
HA	N/A [N/A]	HOLD-DOWN
X	OMITTED	OMITTED

mat'l code SEE NOTE 2				tolerances unless otherwise specified		CUSTOMER		www.fciconnect.com	
ltr	ecn no.	dr	date	linear	.XX±.01/0.X±0.3	COPY			
A	V21414	CGD	08/30/02		.XXX±.005/0.XX±0.13	projection			
B	V21444	CGD	09/06/02		.XXX±.0020/0.XXX±0.051				
C	V21847	CGD	12/04/02	angles	0°±2°	INCH/MM			
D	DG05-0240	GuoJM	07/26/05	dr	C. DAILY 08/30/02	scale			
E	DG05-0263	GuoJM	08/03/05	enrg	M. MOSTOLLER 08/30/02	1:1			
F	DG06-0008	JMG	01/07/06	chr	M. MOSTOLLER 08/30/02	A 51939-026			
				appd	M. MOSTOLLER 08/30/02	size			
sheet index		revision sheet		F	F	F	F	code	
		1 2		1	2	3	4	22526	

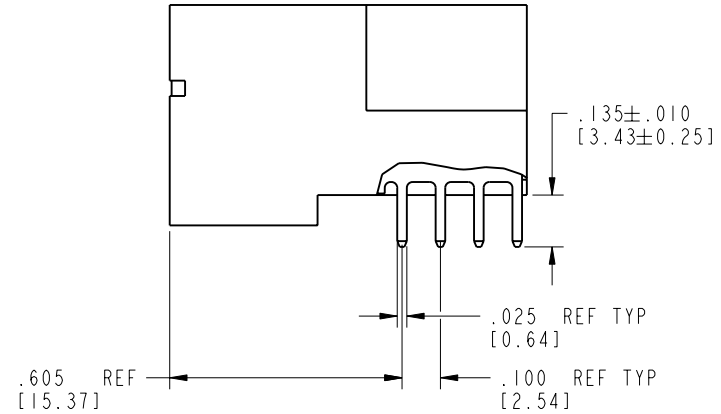
Tous droits strictement réservés. Reproduction ou communication o des liers interdite sous quelque forme que ce soit sans autorisation écrite du propriétaire. Propriete de c FCI. Droits de reproduction FCI.

All rights strictly reserved. Reproduction or issue to third parties in any form, whatever is not permitted without written authority from the proprietor. Property of FCI. Copyright FCI.

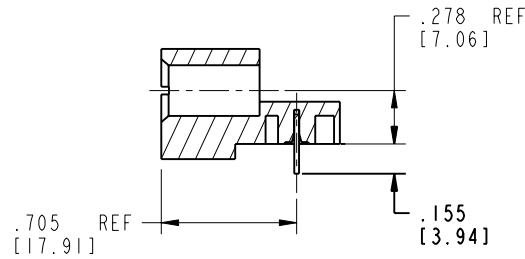
PRODUCT NUMBER
51939-026 --
NOTE: 3




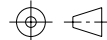
BROKEN-OUT SECTION A-A
SCALE 2:1



BROKEN-OUT SECTION B-B
SCALE 2:1



SECTION C-C

mat'l code		SEE NOTE 2		tolerances unless otherwise specified		CUSTOMER		 FCI www.fciconnect.com	
lfr	ecn no.	dr	date	linear	.XX±.01/0.X±0.3	COPY			
F				linear	.XXX±.005/0.XX±0.13	projection			title 6P + 28S + 4P + 2ACP RIGHT ANGLE SOLDER HEADER
				angles	.XXX±.0020/0.XXX±0.051	INCH/MM			
				dr	C. DAILY 08/30/02	scale		product family PwrBlade code 213 size dwg no 51939-026 sheet 2 of 4	
				engr	M. MOSTOLLER 08/30/02	1:1			
				chr	M. MOSTOLLER 08/30/02			sheet 2 of 4	
				appd	M. MOSTOLLER 08/30/02				
sheet index	revision sheet								

cage code 22526

Pro/E

PDM: Rev:F

STATUS: Released

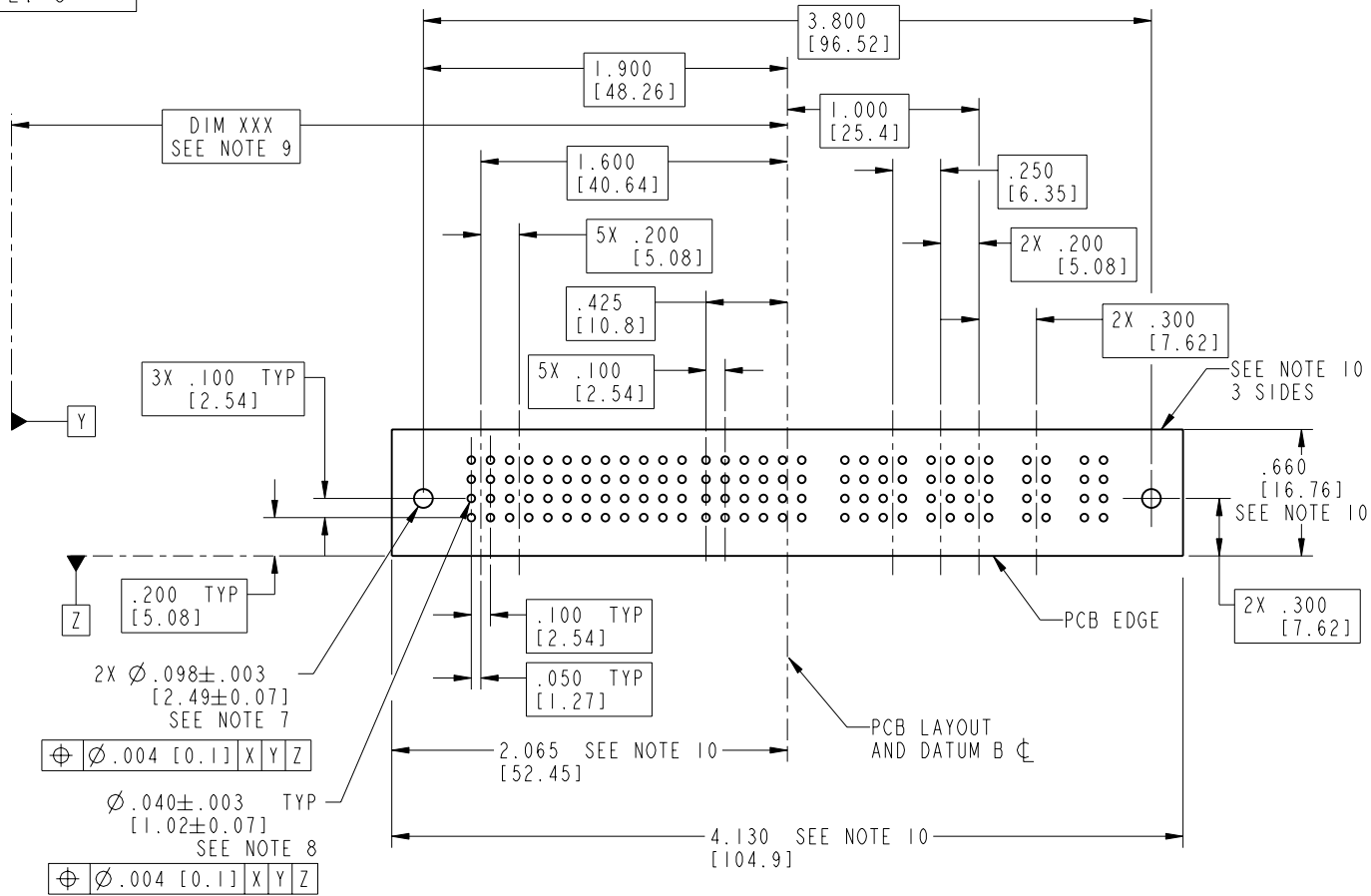
Printed: Oct 08, 2006

Tous droits strictement réservés. Reproduction ou communication o des liers interdite sous quelque forme que ce soit sans autorisation écrite du propriétaire. Propriete de c FCI. Droits de reproduction FCI.



All rights strictly reserved. Reproduction or issue to third parties in any form, whatever is not permitted without written authority from the proprietor. Property of FCI. Copyright FCI.

PRODUCT NUMBER
51939-026--
NOTE: 3



RECOMMENDED PCB LAYOUT

mat'l code SEE NOTE 2				tolerances unless otherwise specified		CUSTOMER		 www.fciconnect.com	
lfr	ecn no.	dr	date	linear	.XX±.01/0.X±0.3	COPY			
F				angles	.XXX±.005/0.XX±0.13			title 6P + 28S + 4P + 2ACP RIGHT ANGLE SOLDER HEADER	
				dr	.XXX±.0020/0.XXX±0.051	INCH/MM		product family PwrBlade code 213	
				enrg	0° ± 2°	scale 1:1		size dwg no 51939-026 sheet 3 of 4	
				chr					
				appd					
sheet index	revision sheet								

cage code 22526

Pro/E

PDM: Rev:F

STATUS: Released

Printed: Oct 08, 2006

Tous droits strictement réservés. Reproduction ou communication o des liers interdite sous quelque forme que ce soit sans autorisation écrite du propriétaire. Propriete de c FCI. Droits de reproduction FCI.

All rights strictly reserved. Reproduction or issue to third parties in any form, whenever is not permitted without written authority from the proprietor. Property of FCI. Copyright FCI.



A

FCI

B

PRODUCT NUMBER
51939-026--
NOTE: 3

NOTES:

1. DIMENSIONS AND TOLERANCES ARE IN ACCORDANCE WITH ASME Y14.5M, 1994 UNLESS OTHERWISE SPECIFIED.

CONNECTOR NOTES:

- 2. HOUSING MATERIAL: UL 94 V-0 GLASS FILLED
HIGH-TEMP THERMOPLASTIC
POWER CONTACT MATERIAL: COPPER ALLOY
SIGNAL PIN MATERIAL: COPPER ALLOY
 - 3. 51939-026;51939-026LF;51939-026GLF PLATING SPEC. SEE PRINT:10064183
 - 4. MANUFACTURER'S NAME, P/N, AND DATE CODE TO APPEAR ON THIS SURFACE.
 - 5. PRODUCT SPECIFICATION GS-12-149.
APPLICATION SPECIFICATION BUS-20-067.
- PCB NOTES:
- 6. ALL HOLE DIAMETERS ARE FINISHED HOLE SIZE.
 - 7. MOUNTING HOLES, WHERE APPLICABLE, ARE UNPLATED.
 - 8. $\varnothing .0453 \pm .0010$ [1.151 \pm 0.025] DRILLED HOLES PLATED WITH .0003 [0.008] MIN SnPb OVER .001 [0.03] TO .003 [0.08] Cu PLATING TO ACHIEVE $\varnothing .040 \pm .003$ [1.02 \pm .07] HOLE.
 - 9. "DIM XXX" TO BE DETERMINED BY THE CUSTOMER.
 - 10. CONNECTOR KEEP-OUT ZONE.

mat'l code		SEE NOTE 2		tolerances unless otherwise specified		CUSTOMER		 www.fciconnect.com	
ltr	ecn no.	dr	date	linear	.XX±.01/0.X±0.3	COPY			
F				projection	.XXX±.005/0.XX±0.13			title 6P + 28S + 4P + 2ACP RIGHT ANGLE SOLDER HEADER	
				angles	.XXX±.0020/0.XXX±0.051			product family PwrBlade code 213	
				dr	C. DAILY 08/30/02	INCH/MM		size 4 of 4	
				enrg	M. MOSTOLLER 08/30/02	scale 1:1		sheet 4 of 4	
				chr	M. MOSTOLLER 08/30/02			A 51939-026	
				appd	M. MOSTOLLER 08/30/02				
sheet index	revision sheet								

A

B

1 | 2

3 |

4

1 | 2

Pro/E

3 |

cage code 22526

4