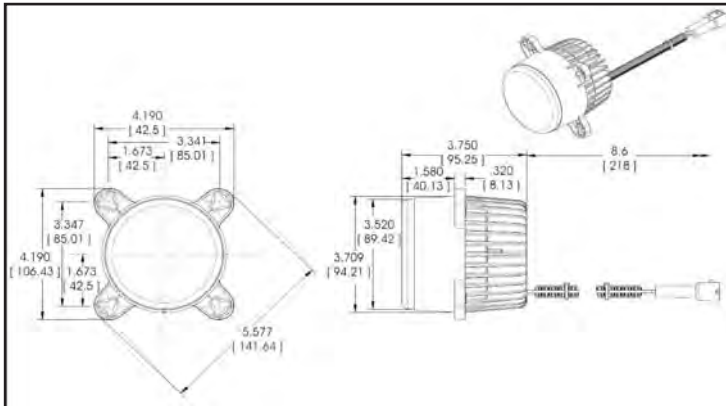




US Patent #7,160,004 #7,604,384 others pending

90mm LED Headlamps



Certifications & Ratings

- SAE / DOT Compliant
- FMVSS108 Visual Aim

Features & Benefits

- 7 year limited warranty
- Expected life > 10 Years
- Alignment screws included
- No frequent relamping
- Protection against over-voltage / surge / spikes
- Less prone to alignment errors
- Wide beam pattern
- Industry first reflector based design
- Weatherproof design

Application:

Dialight's new SAE/DOT FMVSS108 Compliant 90mm LED headlamp is designed for mass transit vehicles. With its dual voltage capabilities (12 and 24V), it will easily replace any 90mm halogen / HID light in the market as a retrofit without any need for retooling.

All of Dialight's long life LED luminaires are designed to meet the most demanding specification criteria while offering maximum energy savings, reduced maintenance costs, and a superior quality of light.

Dialight 90mm LED headlights have been tested and approved to the FMVSS108 requirement by InterTek-ETL.

Electrical specifications

Operating Voltage: 12V and 24V Dual Voltage System

Low beam

Power Consumption: 14 Watts

Current Draw @ 12VDC: 1.2amps

Current Draw @ 24VDC: .58amps

High Beam

Power Consumption: 21 Watts

Current Draw @ 12VDC: 1.75amps

Current Draw @ 24VDC: .88amps

Material

Housing: Black aluminum alloy diecast
Radial fins
Adjustment tabs

Lens: Hard coated polycarbonate lens

Reflectors: Metalized reflectors

Part Numbers	Description
HLC324CB	90mm LED low beam - H11 Termination
HLB324CB	90mm LED high beam - H11 Termination
HLC324CBH9	90mm LED low beam - H9 Termination
HLB324CBH9	90mm LED high beam - H9 Termination
HLC324CBAM	90 mm LED low beam for after market use. H11 & H9 Termination supplied loose
HLB324CBAM	90 mm LED high beam for after market use. H11 & H9 Termination supplied loose

Dialight reserves the right to make changes at any time in order to supply the best product possible.

The most current version of this document will always be available at:

http://www.dialight.com/Assets/Brochures_And_Catalogs/Signaling/MDTBLBHX001.pdf

MDTBLBHX001_C