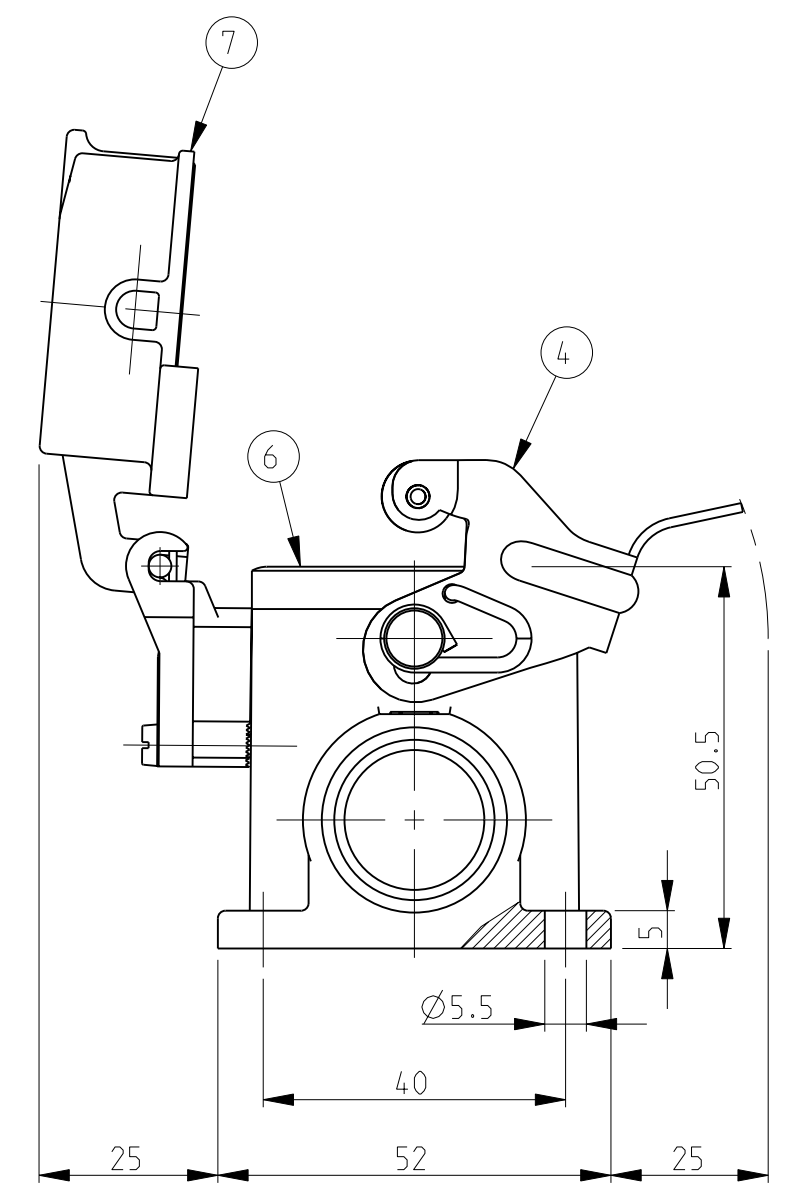
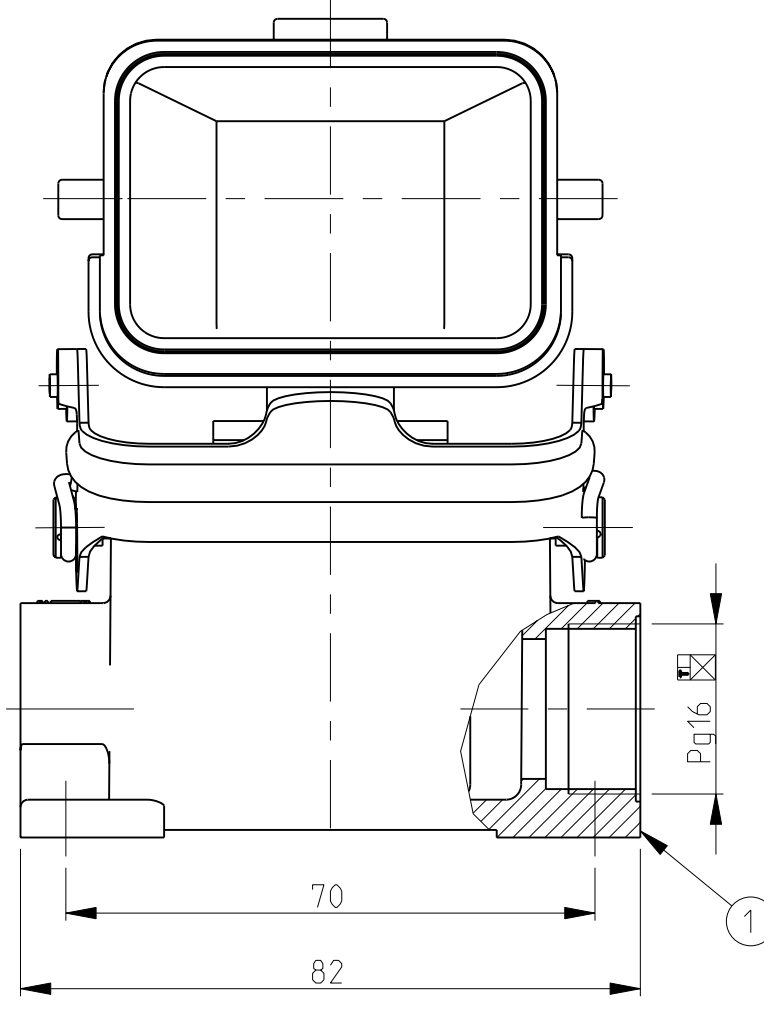


LOC	DIST	REVISIONS			
REV	DATE	DESCRIPTION	DATE	DWN	APVD
A1	-				
A3		Released as per ECR-08-018916	29.July.2008	SP	TS

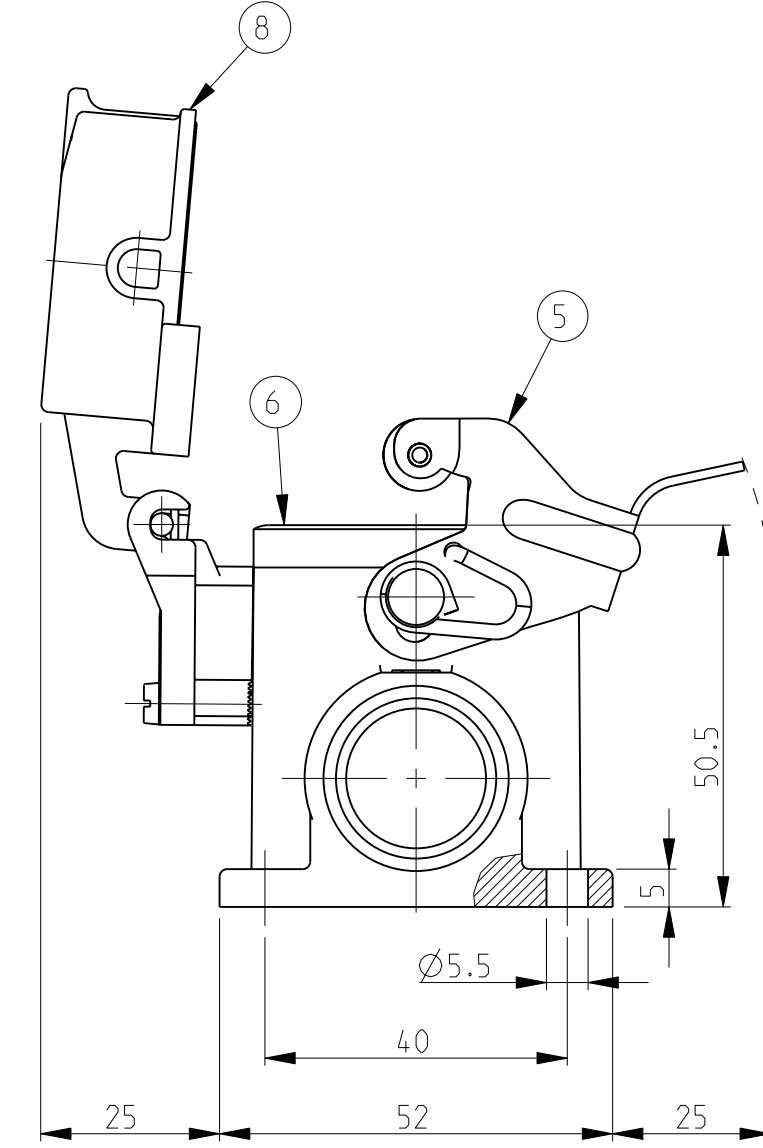
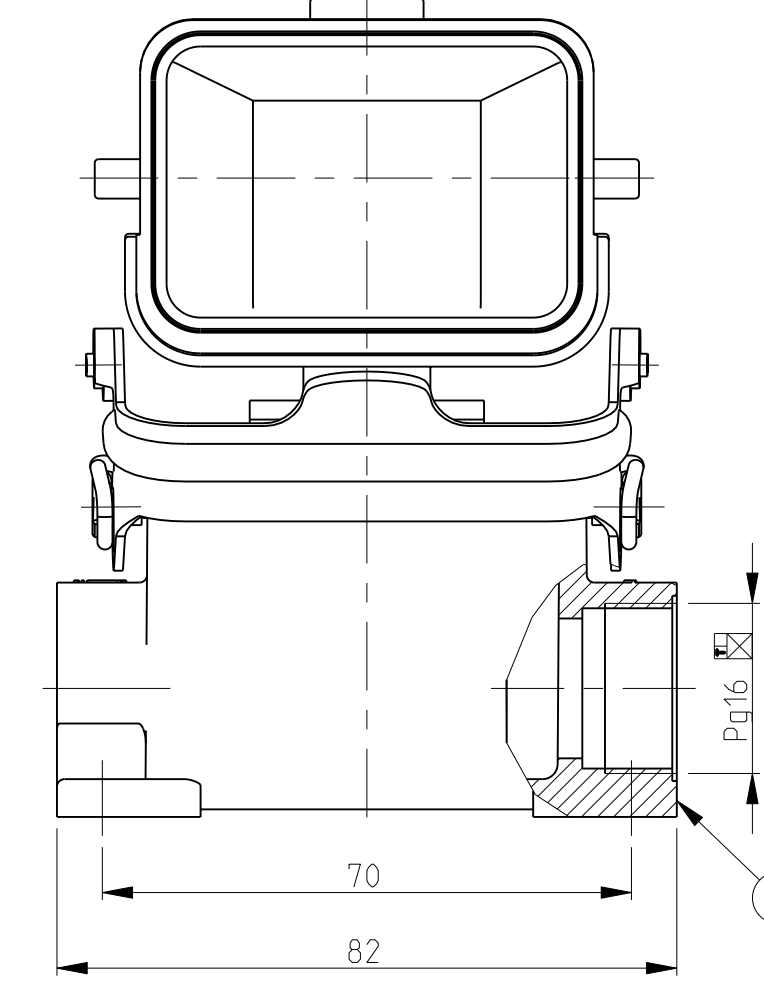
PN 1-2



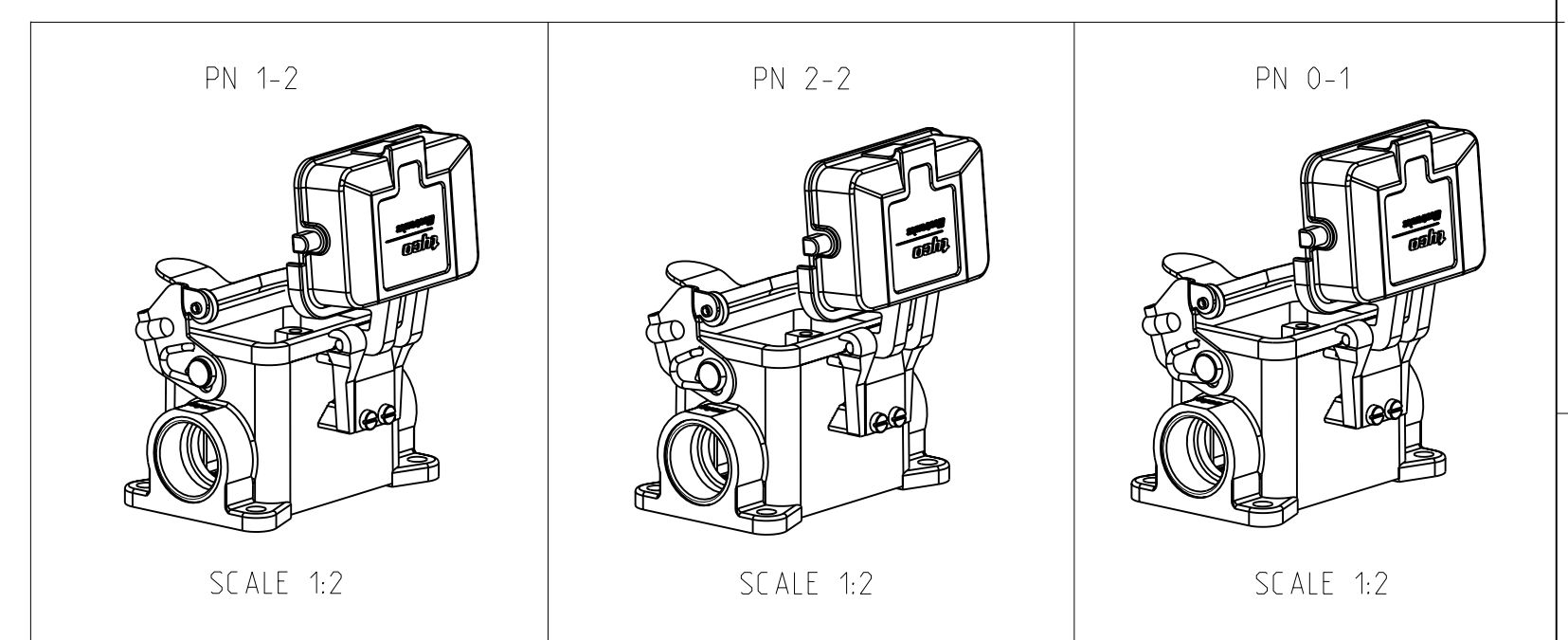
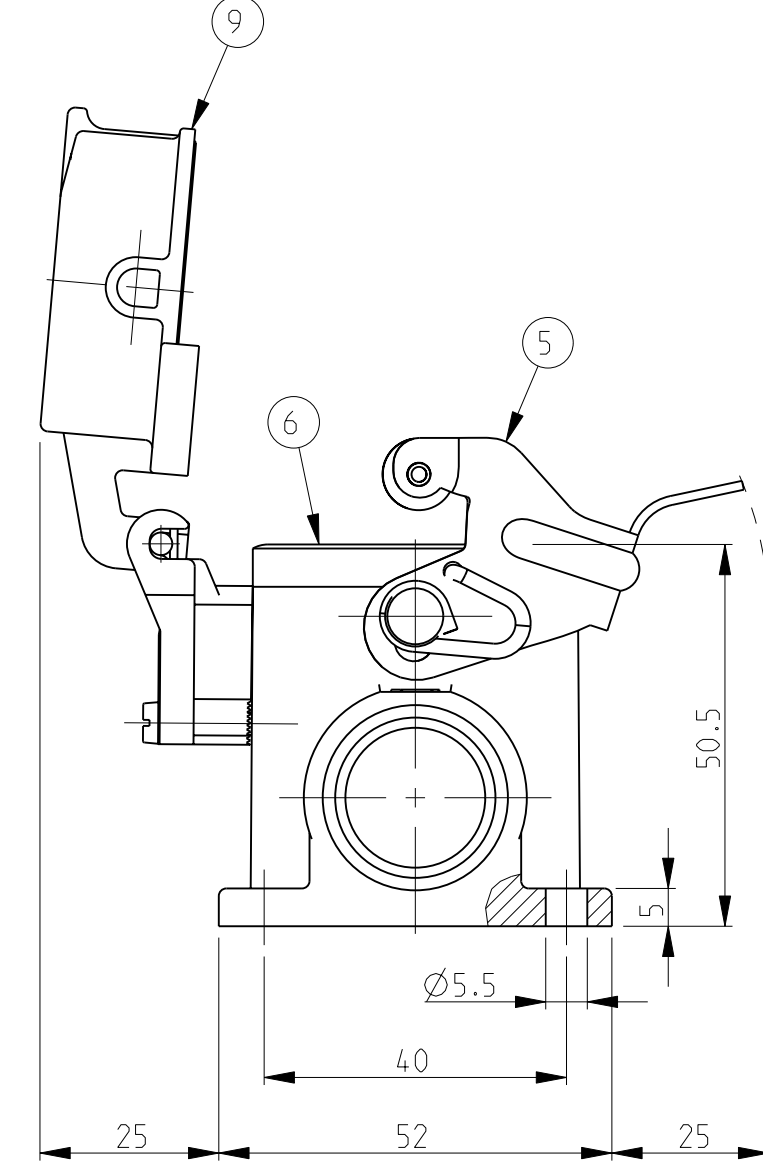
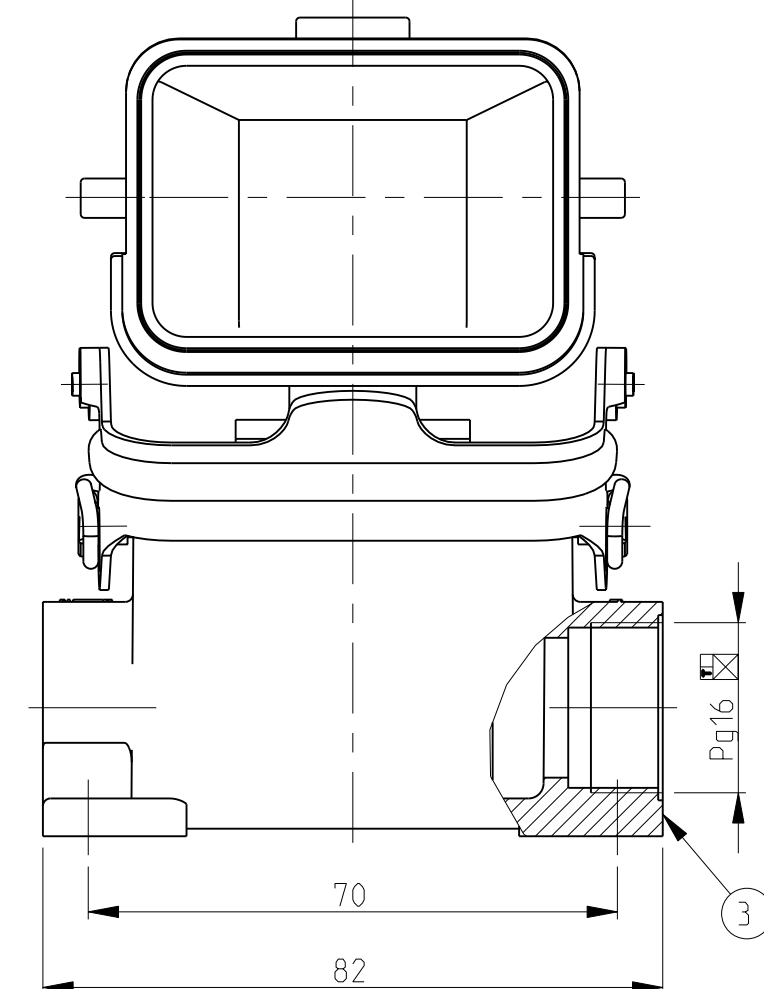
NOTES.

- 1 Material:Housing:Aluminium Diecasting Alloy
Seals:Neoprene
- 2 Surface:Varnish grey
-Aluminium Oxide +Varnish Black
-Aluminium Oxide +Varnish Aluminium color
-Grey
- 3 Varnish on the inside not necessary
- 4 Packaging
Quantity 5 Pieces in a box

PN 2-2



PN 0-1



QTY	DESCRIPTION	MATERIAL	SURFACE	COLOR	ITEM NO	REMARKS
1	Cover finished product HB6	Aluminium	Hard coat	Aluminium-colored	9	
1	Cover finished product HB6	Aluminium	Hard coat	Black RAL 9005	8	
1	Cover finished product HB6	Aluminium		Grey RAL 7001	7	
1	Profile seal	Neoprene		Black	6	
1	Side clip finished product	Stainless steel	Blank		5	
1	Side clip finished product	Steel	Zinc plated	Blue	4	
1	Surface mounted housing side entry HB6	Aluminium	Hard coat	Aluminium-colored	3	
1	Surface mounted housing side entry HB6	Aluminium	Hard coat	Black RAL 9005	2	
1	Surface mounted housing side entry HB6	Aluminium		Grey RAL 7001	1	

ORDERING TEXT
 HB-6.SGD-LB.1.16.Z
 HB-K.6.SGD-LB.1.16.Z
 HB-K.6.SGD-LB.1.16.Z

DIMENSIONS:	TOLERANCES UNLESS OTHERWISE SPECIFIED:	DWN	28.05.02	Tyco Electronics	
mm	0 PLG ±	CHK	28.05.02	Tyco Electronics,AMP.GmbH	
	1 PLG ±	0-53819,Neunkirchen,Germany			
	2 PLG ±	NAME			
	3 PLG ±	PRODUCT SPEC			
	4 PLG ±	108-74009			
	5 PLG ±	APPLICATION SPEC			
	6 PLG ±	114-74001			
	ANGLES ±	SIZE CAGE CODE DRAWING NO			
	FINISH	A1 00779 C=1102253			
MATERIAL		CUSTOMER DRAWING			
		SCALE 1:1 SHEET 1 OF 1 REV A3			