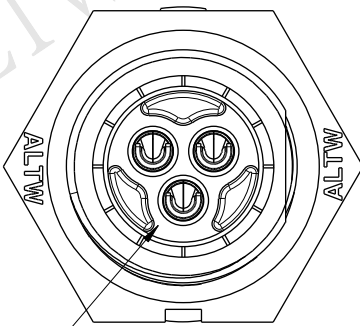


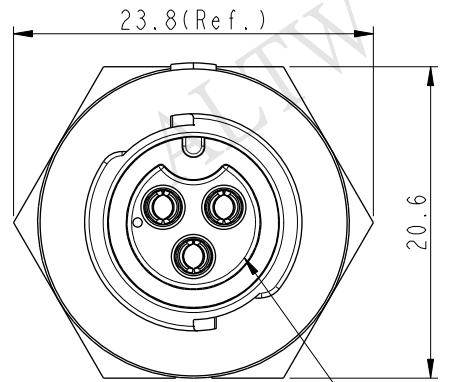
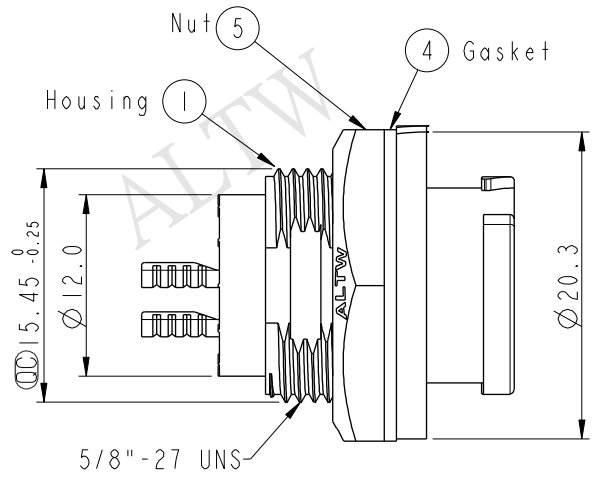
THIS DOCUMENT IS SUBJECT TO CHANGE WITHOUT NOTICE. IT IS CONFIDENTIAL AND A PROPERTY OF Amphenol LTW. DISCLOSURE TO THIRD PARTY HAS TO BE AUTHORIZED BY Amphenol LTW.

REV.	ECN NO.	DATE	SIGN	DESCRIPTION

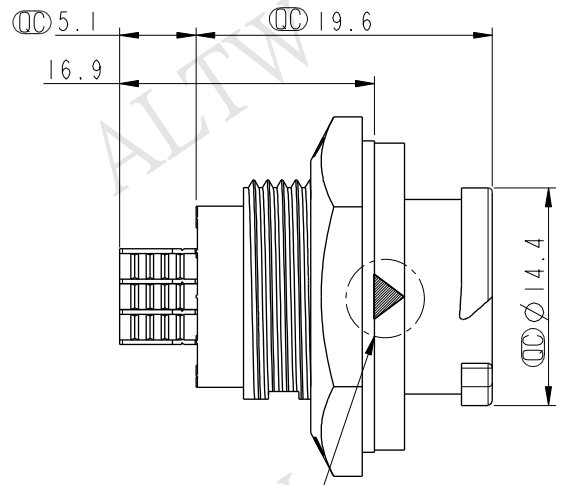
ALTW
 CONFIDENTIAL
 2014-09-12
 R&D DEPT.



With Liquid Glue



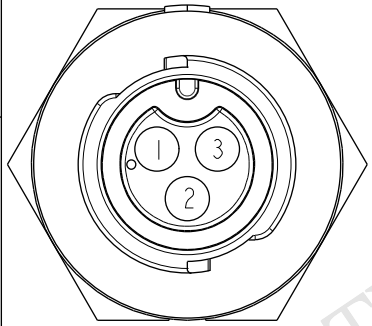
2 Terminal



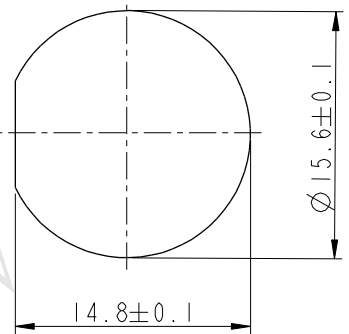
White Printing

ALTW
 DCC. DEPT.
 CONFIDENTIAL
 2014.11.26
 ISSUED

- Note:
- * \varnothing Important Dimension To Check.
 - * Waterproof Rate: IP68
 - * Working Voltage Rating: AC 300 V
 - * Working Current Rating: 10A
 - * Flame Class: UL94V-0 (UV Resistance)
 - * Housing: Nylon+GF, Black
 - * Female Pin: Copper Alloy, Gold Plated
 - * Nut: Nylon+GF, Black
 - * Gasket: Silicone, Gray
 - * Panel Thickness Maximum: 4.5mm



Pin Assignments
Front View



Recommended Panel Cut-out

UNIT:mm	
TOLERANCE X ±0.25	

TITLE X Lok B-Size Receptacle M Conn F 3 Pin			
SCALE 2:1	SIZE A4	SHEET 1 OF 1	
REV. A	WC-REV. A.2	\varnothing : Inspection item	

Amphenol LTW
 安費諾亮泰企業股份有限公司

ITEM NO BB-03RMFS-QC8001	DRAWN BY Micky	DATE 2014-09-12
DWG NO BB-03RMFS-QC8001	CHECKED BY Spring	DATE 2014-09-12
CUSTOMER ALTW	APPROVED BY Kevin	DATE 2014-09-12