

D

C

B

A

4

4

3

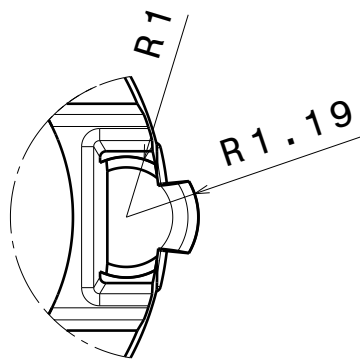
3

2

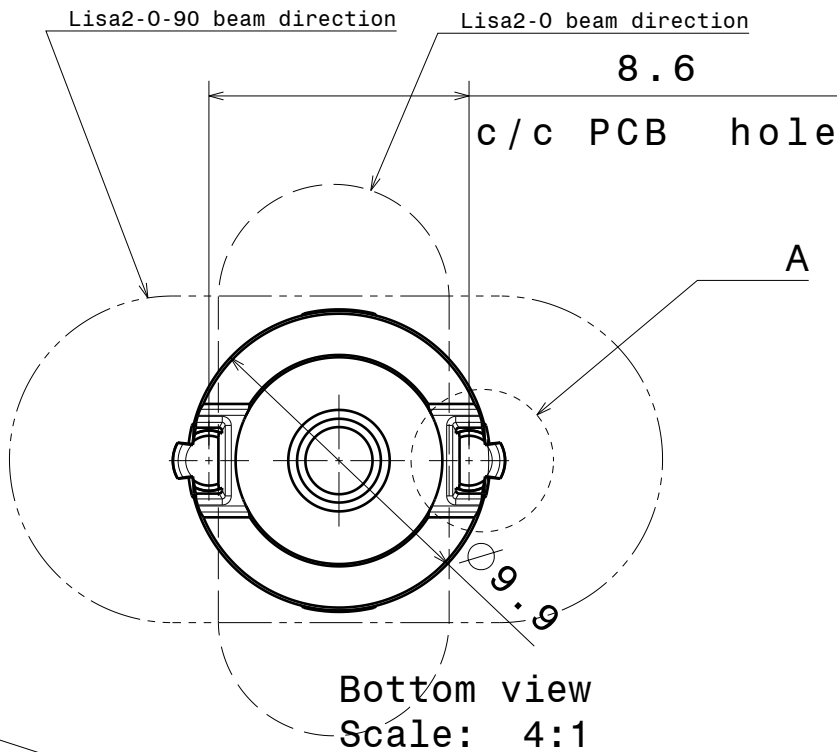
2

1

1



Detail A
Scale: 8:1



Bottom view
Scale: 4:1

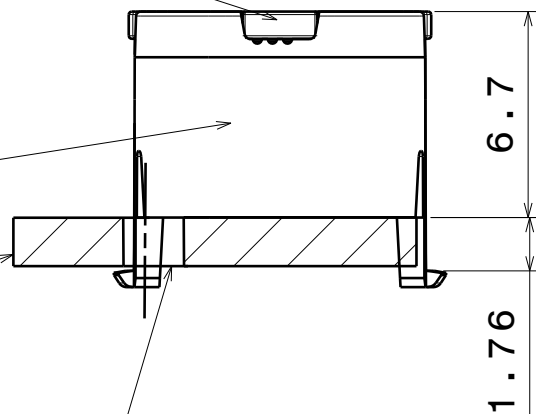
Lens

Holder

Reference PCB

Materials:
Lens PMMA
Holder PC

Note:
Take tolerances
into account
when specifying
positioning
holes for PCB



Front view
Scale: 4:1

This drawing is our property.
It can't be reproduced
or communicated without
our written agreement.



Ledil Oy
Tehdaskatu 13
FIN-24100 SALO
Finland

DRAWING TITLE

Datasheet Lisa2-clip16-0SL series Assy

DRAWN BY
ch

DATE
20.7.2011

CHECKED BY
sn

DATE
20.7.2011

SIZE
A4

DRAWING NUMBER

REV
2

DESIGNED BY
hh

DATE
19.10.2009

SCALE 4:1 WEIGHT (g)

SHEET 1/1

D

A