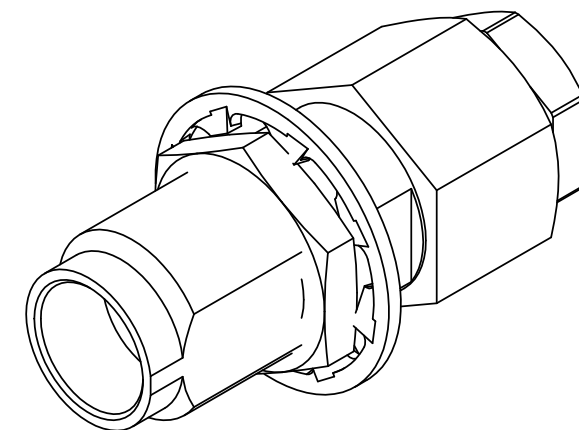
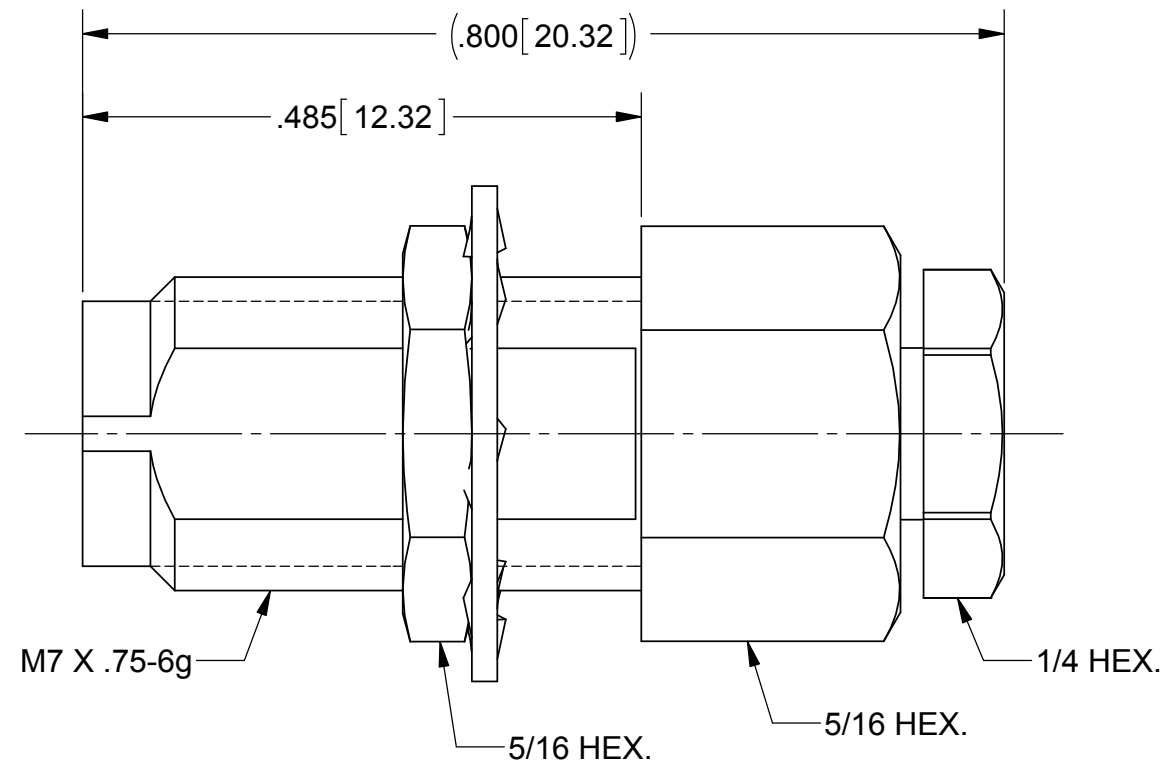
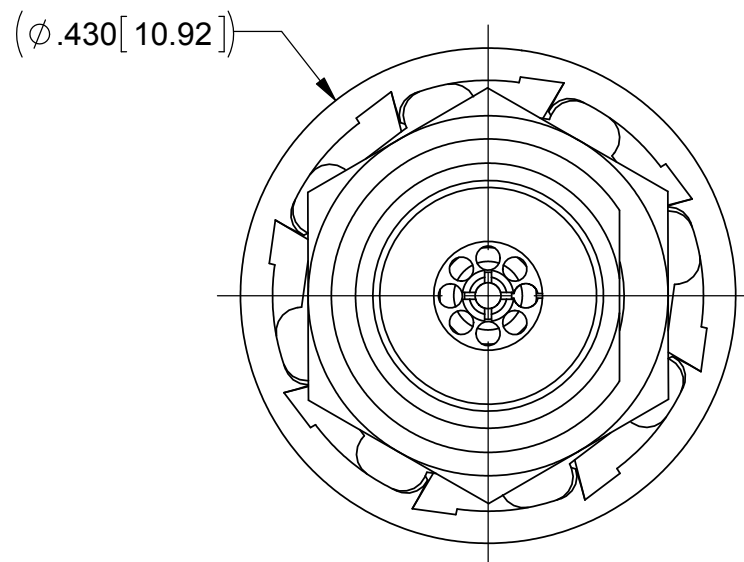


PRODUCT DATA DRAWING

REVISION HISTORY			
REV	DESCRIPTION	DATE	APPROVED
-	REL. DCN 38093	03/17/11	PJS
A	DCN 39232	07/12	JMC



MATERIAL:

BODY, HEX NUT
LOCKWASHER,
FERRULE &
CLAMP NUT:

STAINLESS STEEL PER AMS-5640,
ALLOY UNS S30300, TYPE 1

CONTACT:

BERYLLIUM COPPER PER ASTM B196,
ALLOY No. UNS C17300, TD04

INSULATOR:

ULTEM 1000 PER ASTM D5205

FINISH:

BODY, HEX NUT
LOCKWASHER &
CLAMP NUT:

PASSIVATED PER AMS-2700

CONTACT &
FERRULE:

GOLD PER ASTM B488, TYPE II,
CODE C, CLASS 1.27, OVER NICKEL
PER AMS-QQ-N-290, CLASS 1, .00005" MIN.

PERFORMANCE:

IMPEDANCE: 50 OHMS
FREQ. RANGE: DC TO 50.0 GHz
VSWR: 1.30:1 DC TO 50.0 GHz
INSERTION LOSS: .03 X SQRT(F(F IN GHz))
DWV: 1000 VRMS
OPERATING TEMP.: -55°C TO +125°C

ENGAGEMENT/
DISENGAGEMENT: 2 IN-LBS

MATERIAL: SEE NOTES	DIMENSIONS ARE IN INCHES TOLERANCES: FRACTIONAL: ±1/64 ANGULAR: X° ±1'0" X'X' ±15'	UNLESS OTHERWISE SPECIFIED 1) ALL DIMENSIONS ARE IN INCHES (MILLIMETERS) 2) ALL DIMENSIONS ARE AFTER PLATING. 3) BREAK CORNERS & EDGES .005 R. MAX. 4) CHAM. 1ST & LAST THREADS. 5) SURFACE ROUGHNESS 63-MIL-STD-10. 6) DIA.'S ON COMMON CENTERS TO BE CONCENTRIC WITHIN .005 T.I.R. 7) REMOVE ALL BURRS	SV Microwave, Inc. 2400 Centrepark West Drive, Suite 100 West Palm Beach, FL 33409
FINISH: SEE NOTES	DECIMAL: X ±.030 .XX ±.010 .XXX ±.005	INTERPRET DIMENSIONS AND TOLERANCES PER ASME Y14.5M - 1994	TITLE: 2.4MM BULKHEAD JACK FOR Ø.047 S/R CABLE
SURFACE AREA: N/A	THIRD ANGLE PROJECTION	DRAWN: JMC 03/17/11	SIZE: B CAGE CODE: 95077 DWG. NO. SF1621-60005
PROPRIETARY THE INFORMATION CONTAINED IN THIS DRAWING IS THE SOLE PROPERTY OF SV MICROWAVE, INC. ANY REPRODUCTION IN PART OR AS A WHOLE WITHOUT THE WRITTEN PERMISSION OF SV MICROWAVE, INC IS PROHIBITED.		CHECKED: PJS 03/17/11 APPROVED: PJS 03/17/11	SCALE: 6:1 SHEET 1 OF 1