

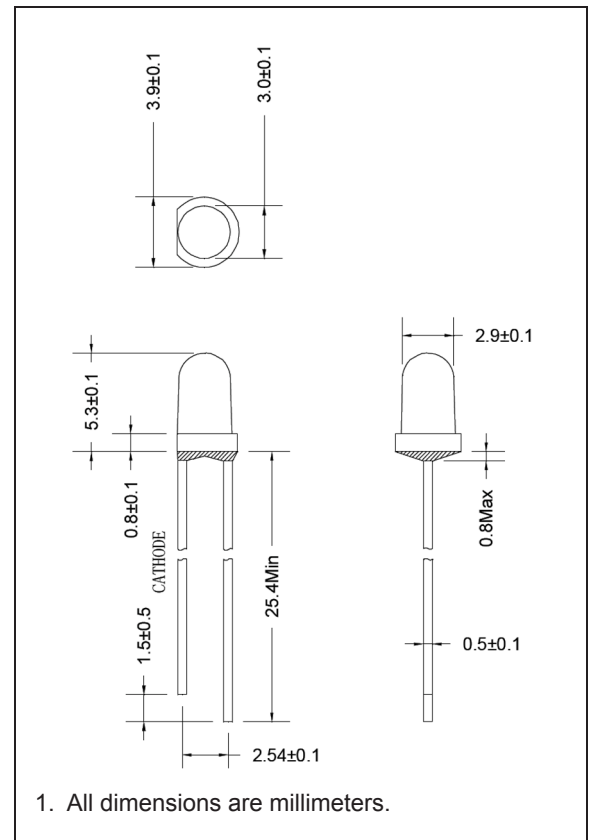
• Features

1. Chip material: InGaN
2. Emitted color: White
3. Lens appearance: Water Clear
4. Low power consumption
5. High efficiency
6. Versatile mounting on PC Poard
7. High reliability and long life
8. 3mm diameter package
9. RoHS compliant

• Applications

1. Panel Indicator
2. Monitor
3. Audio Indicator
4. Computer
5. Circuit board

• Package Dimensions



• Absolute Maximum Ratings ($T_a = 25^\circ \text{C}$)

| Parameter | Symbol | Rating | Unit |
|-----------------------------------------|-----------|-----------|------------------|
| Power Dissipation | P_D | 90 | mW |
| Forward Current | I_F | 25 | mA |
| Peak Forward Current * | I_P | 100 | mA |
| Reverse Voltage ($I_r=30\mu\text{A}$) | V_R | 5 | V |
| Operating Temperature | T_{OPR} | -20 ~ 85 | $^\circ\text{C}$ |
| Storage Temperature | T_{STG} | -25 ~ 100 | $^\circ\text{C}$ |
| Soldering Temperature | T_{SOL} | 260** | $^\circ\text{C}$ |

* Condition for I_{FP} is pulse of 1/10 duty and 0.1 msec width.

** for 5 seconds

• **Electrical and Optical Characteristics** ($T_a = 25^\circ \text{C}$)

| Parameter | Symbol | Condition | Min. | Typ. | Max. | Unit |
|--------------------|-----------------|-------------------|------|------|------|---------------|
| Forward Voltage | V_F | $I_F=20\text{mA}$ | - | 3.2 | 3.6 | V |
| Reverse Current | I_R | $V_R=5\text{V}$ | - | - | 30 | μA |
| Luminous Intensity | I_V | $I_F=20\text{mA}$ | - | 5000 | - | mcd |
| Viewing Angle | $2\theta_{1/2}$ | $I_F=20\text{mA}$ | - | 30 | - | deg |

• **Chromaticity Color Boundary Coordinates**

| | | | | |
|----------|-----|-----|-----|-----|
| X | .24 | .22 | .38 | .39 |
| Y | .20 | .23 | .38 | .44 |

• **Typical Electro-optical Characteristic Curves**

