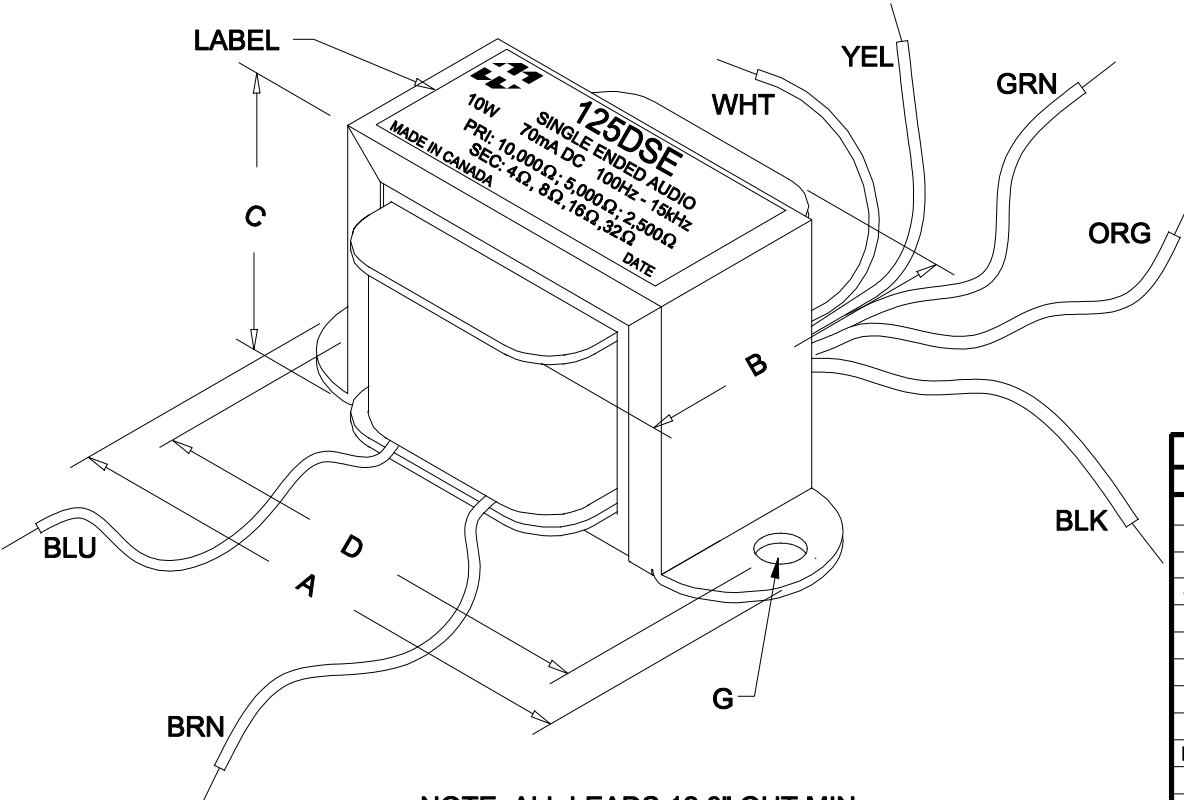
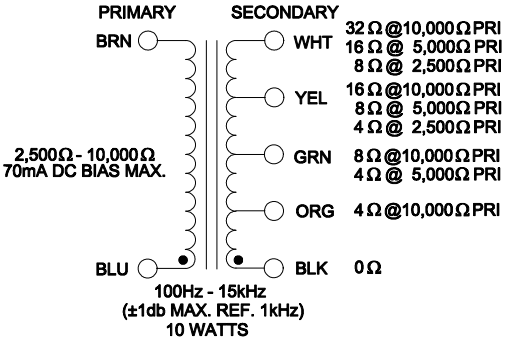


DIMENSIONS:	
A	4.000" ±0.063
B	2.100" ±0.125
C	2.625" ±0.063
D	3.563" ±0.063
G	0.187" ±0.015



NOTE: ALL LEADS 12.0" OUT MIN.

ELECTRICAL DATA:		
TESTS	CONDITIONS	ACCEPTANCE CRITERIA
Iex	@ 240V, 60Hz, BLU - BRN	20.83mA - 28.75mA
Sec. N.L.V	@ 240V, 60Hz, BLU - BRN	
	BLK - ORG =	4.893V ±2%
	BLK - GRN =	6.784V ±2%
	BLK - YEL =	9.676V ±2%
	BLK - WHT =	13.57V ±2%
DCR	@ 20°C, BLU - BRN =	115.0 Ω ±20%
	@ 20°C, BLK - WHT =	0.590 Ω ±20%
HIPOT	PRIMARY - SECONDARY	1500V, 60Hz, 1 SEC

REV.#	REVISION	DATE	HAMMOND MANUFACTURING™			ELECTRONIC DIVISION	
0	RELEASED. C.I.	10/08/15	52 RANKIN PLACE, WATERLOO, ONTARIO, N2J 3Z5			PH # (519) 886-6181 FAX # (519) 886-9540	
			DWG. BY: C. ILIE	CHK'D BY:	TITLE: SINGLE ENDED	DWG. NO.	
			DATE: 10/08/15	APP'D. BY:	AUDIO TRANSFORMER	125DSE	
				DIMENSIONS: IN(X) MM()			