

4

3

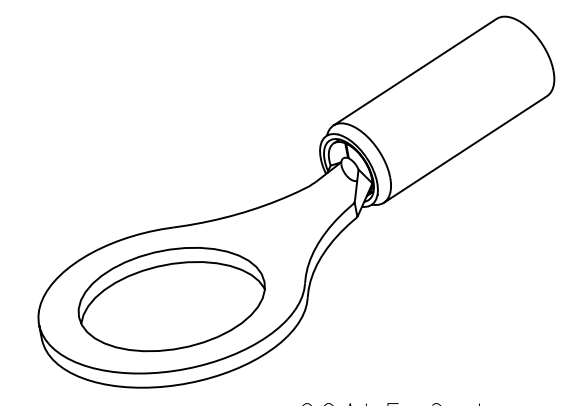
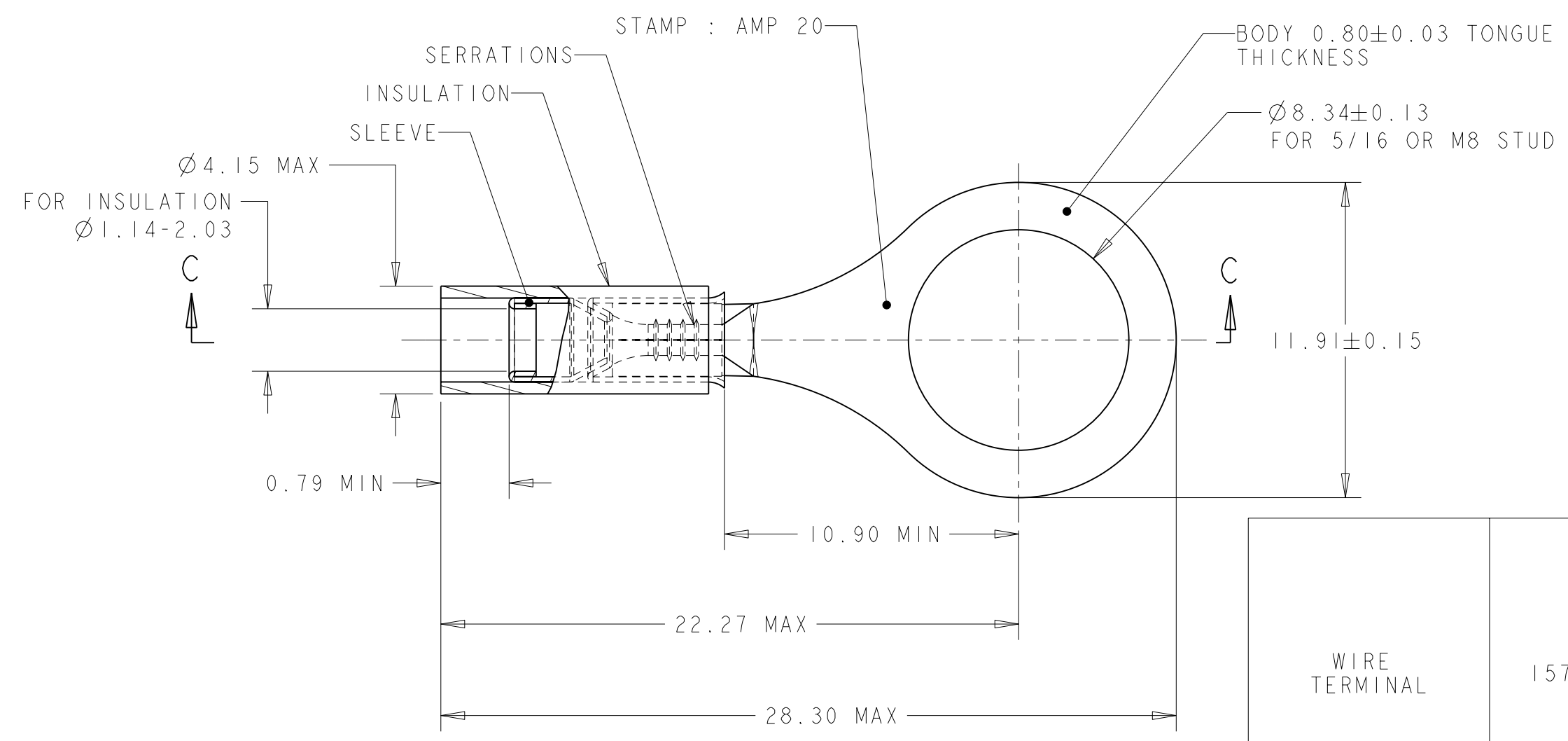
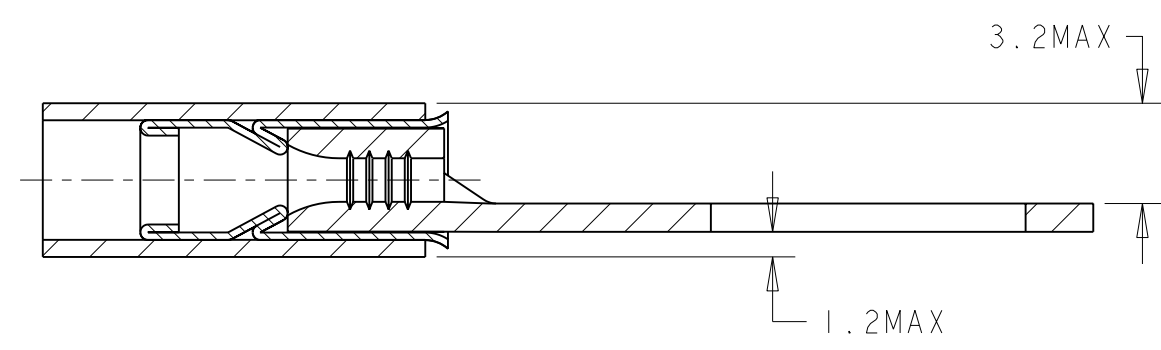
2

1

THIS DRAWING IS UNPUBLISHED. RELEASED FOR PUBLICATION 20
 © COPYRIGHT 20 BY TYCO ELECTRONICS CORPORATION. ALL RIGHTS RESERVED.

LOC	DIST	REVISIONS			
P	LTR	DESCRIPTION	DATE	DWN	APVD
F	00	B	09JUN2006	JJD	YP
		C	25OCT2007	JT	GR

COUPE C-C



SCALE 3:1

WIRE TERMINAL	1577628-1	BODY : COPPER ANNEALED FINISH : NICKEL PLATED
		SLEEVE : COPPER ANNEALED FINISH : NICKEL PLATED
		INSULATION : PEEK COLOR : GREY
DESCRIPTION	PART NUMBER	MATERIAL & FINISH

THIS DRAWING IS A CONTROLLED DOCUMENT FOR TYCO ELECTRONICS CORPORATION IT IS SUBJECT TO CHANGE AND THE CONTROLLING ENGINEERING ORGANIZATION SHOULD BE CONTACTED FOR THE LATEST REVISION.		DWN	02NOV2005	TYCO ELECTRONICS France SAS BP 30039, 95301 CERGY-PONTOISE Cedex							
DIMENSIONS: mm		CHK	02NOV2005								
TOLERANCES UNLESS OTHERWISE SPECIFIED: 0 PLC ±- 1 PLC ±0.3 2 PLC ±- 3 PLC ±- 4 PLC ±- ANGLES ±5		APVD	02NOV2005								
MATERIAL SEE TABLE		FINISH	SEE TABLE								
		PRODUCT SPEC	108-15356	NAME TERMINAL, PEEK PIDG STRATO, 20 AWG							
FINISH SEE TABLE		APPLICATION SPEC	114-15102								
MATERIAL SEE TABLE		WEIGHT	1,01 gr	SIZE	A3	CAGE CODE	00779	DRAWING NO	1577628	RESTRICTED TO	-
CUSTOMER DRAWING		SCALE		5:1	SHEET		1	OF	1	REV	C