

THIS DRAWING IS UNPUBLISHED. RELEASED FOR PUBLICATION
 © COPYRIGHT BY TYCO ELECTRONICS CORPORATION. ALL RIGHTS RESERVED.

LOC		DIST		REVISIONS			
GP	00	P	LTR	DESCRIPTION	DATE	DWN	APVD
		G		REVISED PER EC OS13-0259-02	10JUL03	JG	CC

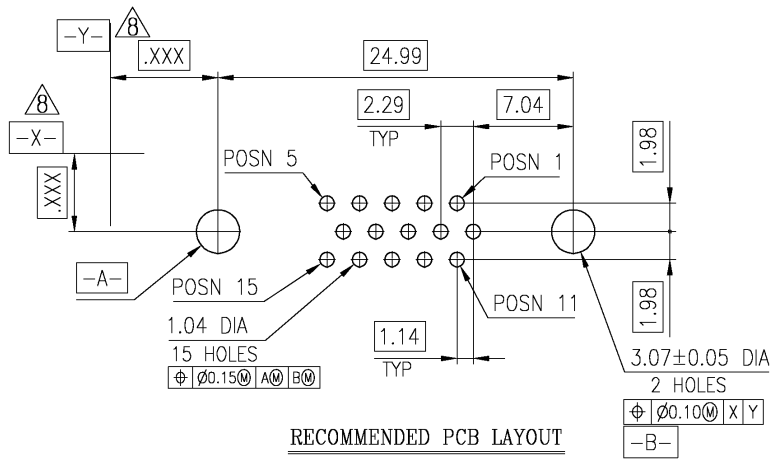
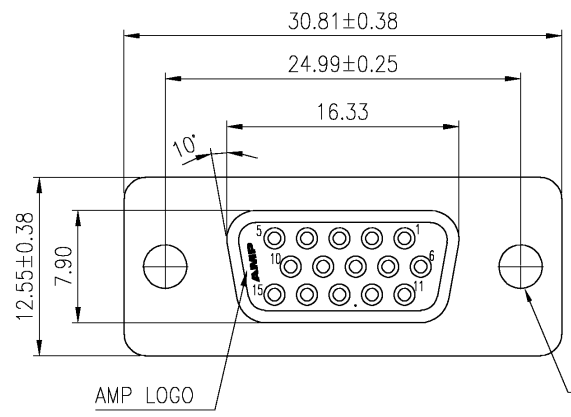
MATERIAL:

- Housing: Nylon, UL 94V-0 rated Glass filled, Black.
- Contact: Phos. Bronze.
- Contact Plated: Gold Plated over 50u" Nickel underplated.
- Solder Tail: Sn/Pb Plated 120u" over 50u" Nickel underplated.
- Shell: Steel, Nickel Plated.
- Rivet: Brass, Nickel plated 30u" Min.

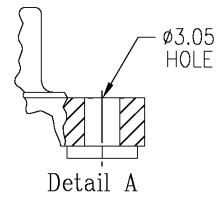
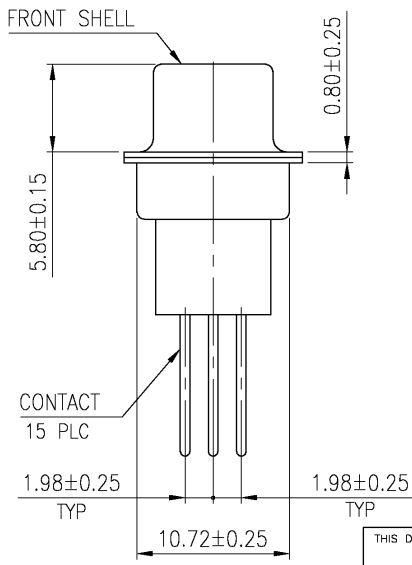
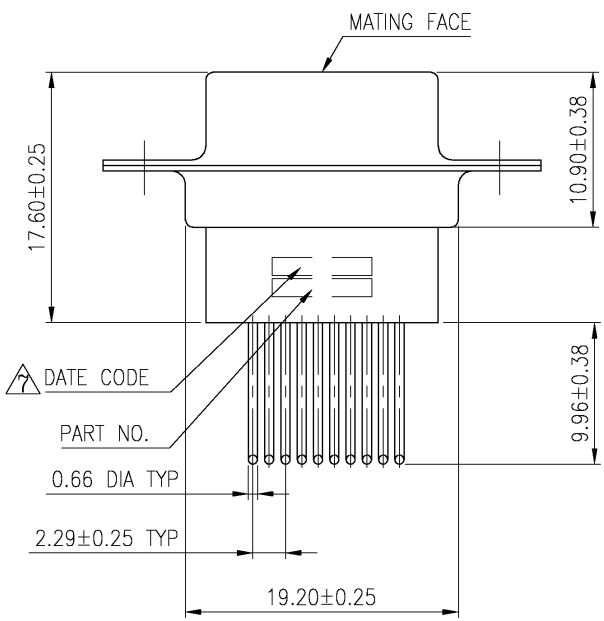
▲ Four digit date code in this format.

Year 01 45 Manufacturing Week

▲ Datums and basic dimensions established by customer.



RECOMMENDED PCB LAYOUT



Tray	Detail A	30 μ"	750360-4
Tray	Detail A	15 μ"	750360-3
Tray	Detail A	Gold flash	750360-1
Packaging	Mounting Flange	Contact Finish	AMP Part No

THIS DRAWING IS A CONTROLLED DOCUMENT.		DWN: J. BURWELL 29JULY02	Tyco Electronics Corporation	
DIMENSIONS: MM		CHK: C. CASH 29JULY02	Tyco Electronics	
TOLERANCES UNLESS OTHERWISE SPECIFIED:		APVD: -	NAME: -	
0 PLC	± -	PRODUCT SPEC: -		
1 PLC	± 0.30	APPLICATION SPEC: -		
2 PLC	± 0.20	SIZE: A2		
3 PLC	± 0.10	CAGE CODE: 00779		
4 PLC	± -	DRAWING NO: 750360		
ANGLES	± Z'	RESTRICTED TO: -		
MATERIAL: -	FINISH: -	WEIGHT: -		
CUSTOMER DRAWING		SCALE: 1:1 SHEET: 1 OF 1 REV: G		

750360