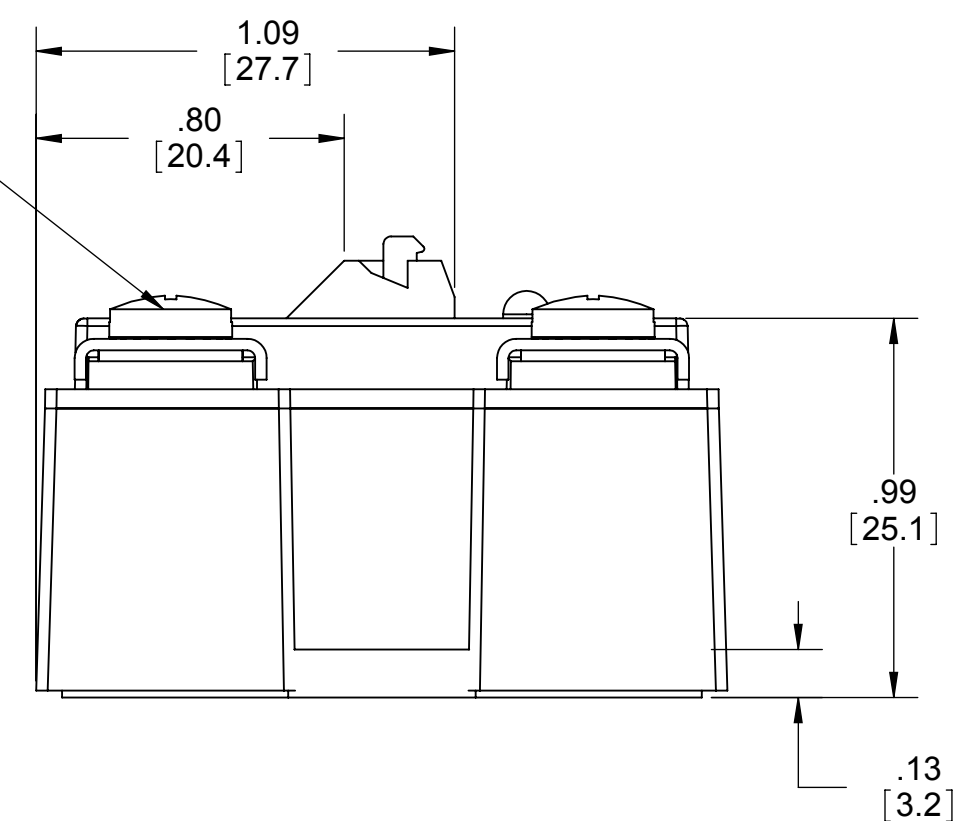


SCREW-SEM  
8-32x.375  
(4 PL)



Tolerances:  $\pm 0.02$  in / 0.5 mm. All dimensions are in: inches [millimeters]