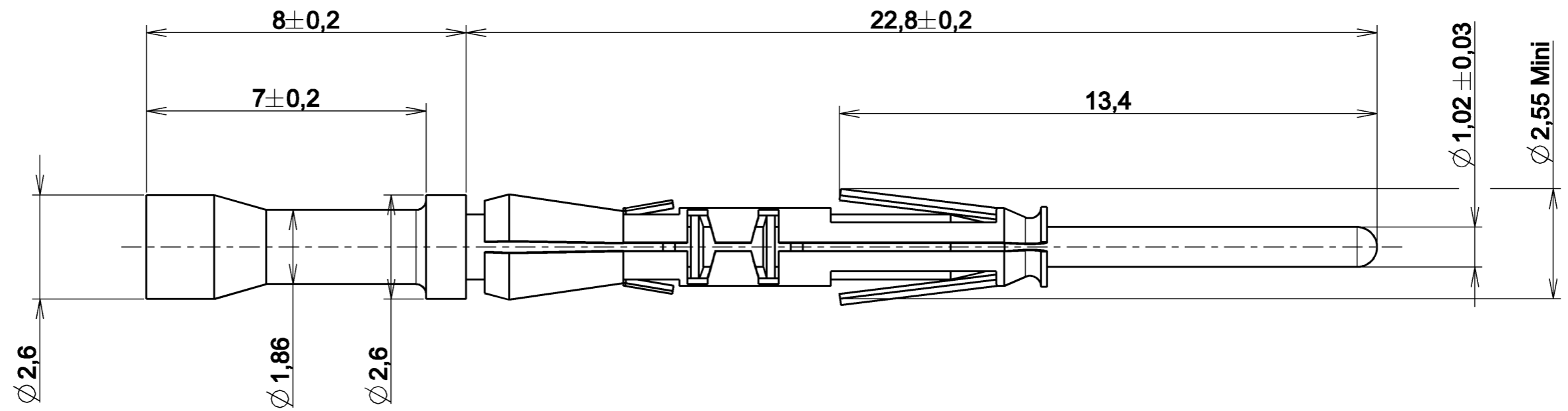


a : 1 : RL

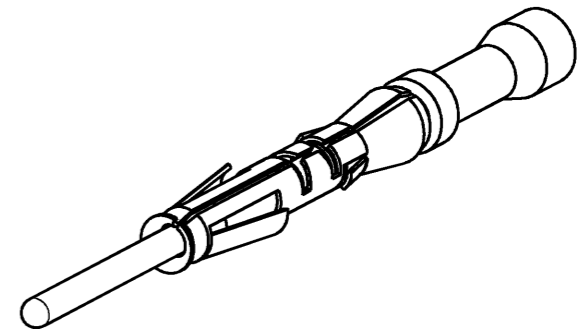


**Notes :**

- Machined contact
- Extraction tool : RX20D44
- Crimping tool : S20RCM

**Material :**

- Contact body:high conductive copper alloy  
:plating: K : 0.4 micron gold over nickel
- Retaining spring:stainless steel



ECHELLE 4/1

**P/N : RM20W3K**

**Performance Characteristics :**

- Contact retention in the body:50N max
- Contact insertion force:5N max
- Contact separation force:2N min
- Current rating:7.5 Amps
- Contact resistance:6mΩ max
- Dielectric withstanding voltage:1500 Vrms min
- Diameter over insulation 1.20 mm min up to 1.60 mm max
- Section of wire 0.32 mm<sup>2</sup> min up to 0.50 mm<sup>2</sup> max
- Wire strip length : 4,8 mm

<b>A</b>	04/03/11	FIRST ISSUE	21654
ISS	DATE	Latest modification - by:	MOD N°
Designed by: <b>MOREAU F.</b>		Date: 04/03/11	<b>CUSTOMER DRAWING</b>
<b>TITLE</b>		<b>MALE CRIMP CONTACT AWG 22 - 20 CONNECTOR UTOW</b>	
Scale		General linear Tolerances: ± 0.1	<b>NPRDS / PROJECT RM</b>
		<b>WWW.SOURIAU.COM</b>	This document is the property of SOURIAU It must not be reproduced or communicated without permission
FORMAT	<b>SOURIAU DRG N° RM20W3K-C01</b>		SHEET <b>1 / 1</b>
<b>A3</b>			