

THIS DRAWING IS UNPUBLISHED.

RELEASED FOR PUBLICATION

20

© COPYRIGHT 20

BY -

ALL RIGHTS RESERVED.

LOC
CE

DIST
16

REVISIONS

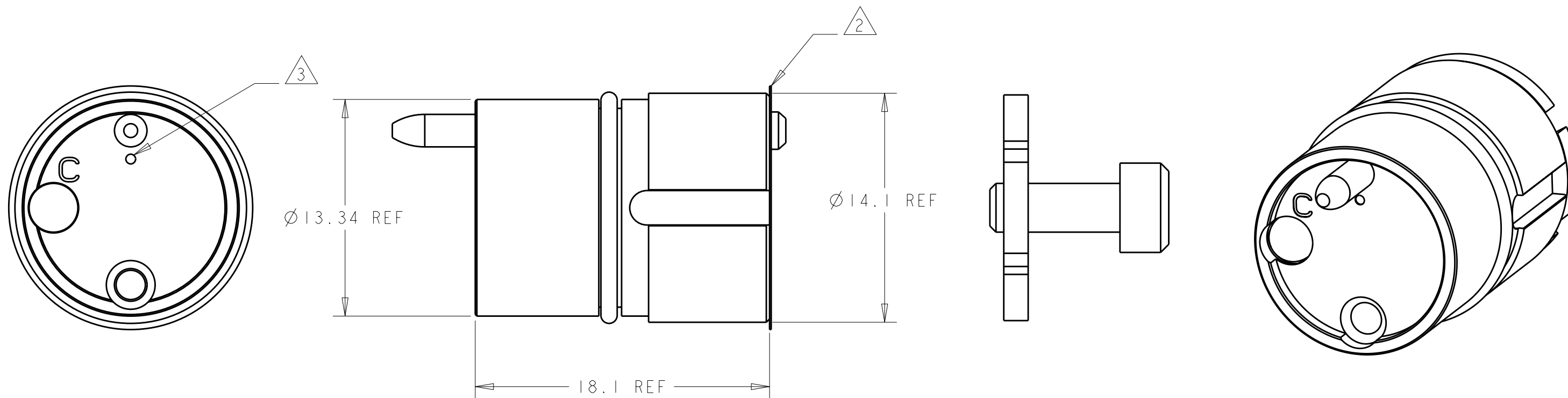
| P | LTR | DESCRIPTION | DATE | DWN | APVD |
|---|-----|---------------|-----------|-----|------|
| | F | ECR-09-007414 | 01JUN2009 | KG | DW |
| | | | | | |
| | | | | | |

1. USE WITH FERRULE ASSEMBLY KIT P/N 1588908-2 (125um), OR 1588908-1 (126um). QUANTITY OF 1 REQUIRED. FERRULE MUST BE PC-POLISHED DURING FIBER TERMINATION FOR BEST PERFORMANCE.


2. PROTECTIVE LABEL APPLIED AFTER FINAL CLEAN ROOM TEST TO PREVENT OPTICAL CAVITY CONTAMINATION. REMOVE ONLY WHEN READY TO ASSEMBLE.

3. SINGLEMODE IDENTIFIER

4. THIS PRODUCT HAS NOT COMPLETED VALIDATION TESTING.



| | | |
|-----------------|--------------------------------------|-------------|
| OBSOLETE | 1 CHANNEL, 1310nm SM, FLUOROSILICONE | 1515738-2 |
| | 1 CHANNEL, 1310nm SM, NBR | 1515738-1 |
| | DESCRIPTION | PART NUMBER |

| | | | | |
|---|--|-----------------------------------|---|---------------------|
| THIS DRAWING IS A CONTROLLED DOCUMENT. | | DWN K. GLATFELTER 16APR2004 |  TE Connectivity | |
| DIMENSIONS: mm | | CHK D. WERTMAN 07JUN2004 | | |
| TOLERANCES UNLESS OTHERWISE SPECIFIED: | | APVD D. WERTMAN 07JUN2004 | NAME INSERT ASSEMBLY, PRO BEAM JR., 1 CHANNEL, 1310nm SM | |
| 0 PLC ±- 1 PLC ±- 2 PLC ±- 3 PLC ±- 4 PLC ±- ANGLES ±- | | PRODUCT SPEC - | RESTRICTED TO - | |
| MATERIAL STAINLESS ALLOYS, NBR/FLUOROSILICONE | | FINISH N/A | APPLICATION SPEC - | SIZE A3 |
| | | WEIGHT - | SCALE 4:1 | CAGE CODE 300779 |
| | | CUSTOMER DRAWING | DRAWING NO C-1515738 | REV F |