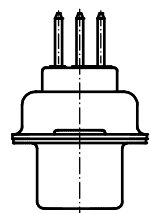
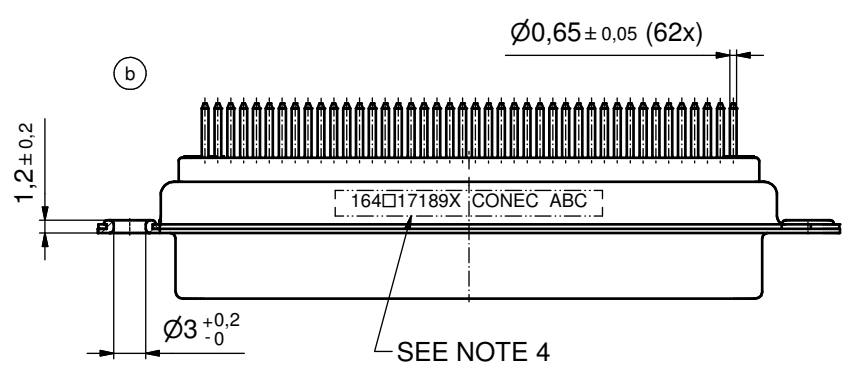
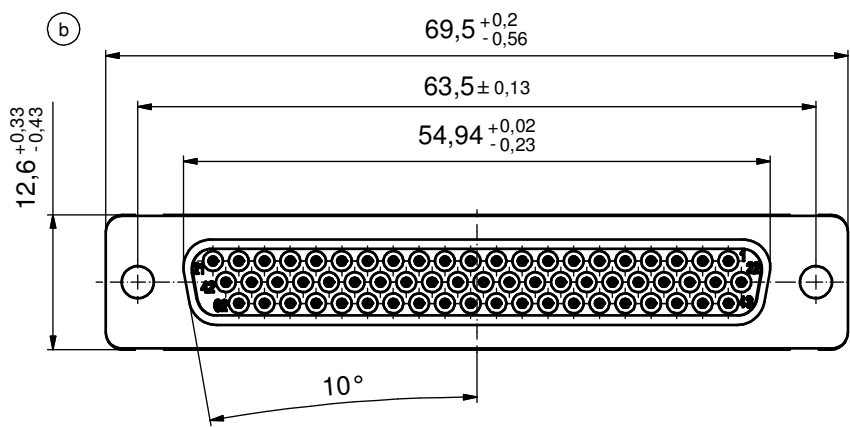
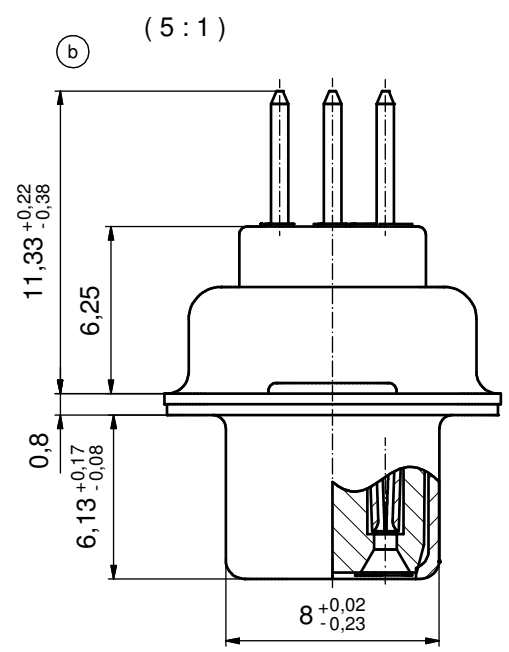
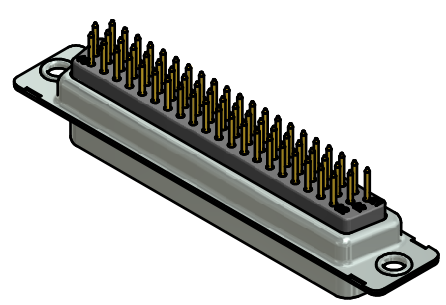


P.C.B. HOLE DRILLINGS
(P.C.B. TOP SIDE)



- NOTES:**
- METALSHELLS: STEEL; min. 315µm TIN over 40-80µm NICKEL
 - INSULATORS: PBT GF UL 94 V-0, BLACK
 - CONTACTS: COPPER ALLOY; PLATING (SEE PART NO):
 - PLEASE ADD A for GOLD FLASH over NICKEL (PREFERRED TYPE)
 - PLEASE ADD B for 20µm HARD GOLD over min. 50µm NICKEL
 - PLEASE ADD C for 30µm HARD GOLD over min. 50µm NICKEL
 - CONNECTOR IS PART MARKED: **164□17189X CONEC ABC** (see note 3)



Directive 2002/95/EC RoHS compliant

THIS DRAWING MAY NOT BE COPIED OR REPRODUCED IN ANY WAY, AND MAY NOT BE PASSED ON TO A THIRD PARTY WITHOUT WRITTEN PERMISSION. OWNERSHIP AND COPYRIGHT OF CONEC GmbH DO NOT ALTER CAD DRAWING BY HAND				tolerance		dim. in mm	scale: 2:1 (5:1)	
				date			material: SEE NOTES	
6 x b		Ä5160	21.07.14	K.H.		title: D-SUB HD FEMALE 62pos. SOLDER PIN STRAIGHT		
a		Original			dwg no: 16K1A3428		DIN-A3 sh: 1	
rev.		description	date	name		part no: (b) 164□17189X (see note 3)		