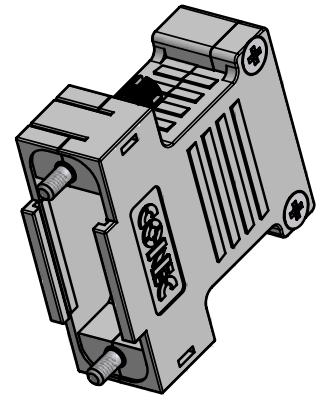


ISO VIEW1

Directive 2002/95/EC
"RoHS"
Compliant



ISO VIEW2

NOTES:
Plastic Material: PA 6.6 GF 25, UL 94 V-0
Color: Dolphin Grey

Screw Material: Steel
Screw Finish: Nickel plated

THIS DRAWING MAY NOT BE COPIED, OR REPRODUCED IN ANY WAY AND MAY NOT BE PASSED ON TO A THIRD PARTY WITHOUT WRITTEN PERMISSION. OWNERSHIP AND COPYRIGHT OF CONEC CORPORATION DOT NOT ALTER CAD DRAWING BY HAND	Customer:			Tolerance Unless otherwise specified	Scale: 1.5:1	Dim. in mm		
	Name Title Approval Date			Dimensional: +/- 0.25mm Angular: +/- 1 degree			Autodesk Inventor	Material: SEE NOTES
				2005	Date	Name	Title: 3W3 Hood (Straight) for 2 Power Contacts with OD=8.43 +/-0.15 AWG6 Cable	
				Draw.	Sept. 01	Vincent Ke		
				Appd.	Sept. 01	J. Chaudry		
				Norm				
				D-old			Drawing No.: C0412E26A	
								DIN A3
	Rev.	Changes	Date	Name			Part No.: 165X18169X	Sheet 1/1