

# Customer Information Sheet

DRAWING No.: S437-XX

SHEET 3 OF 3

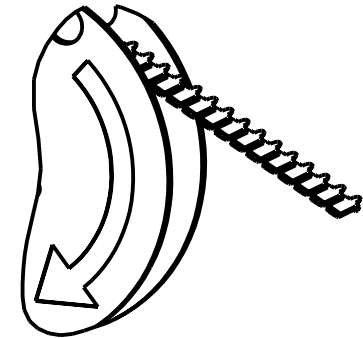
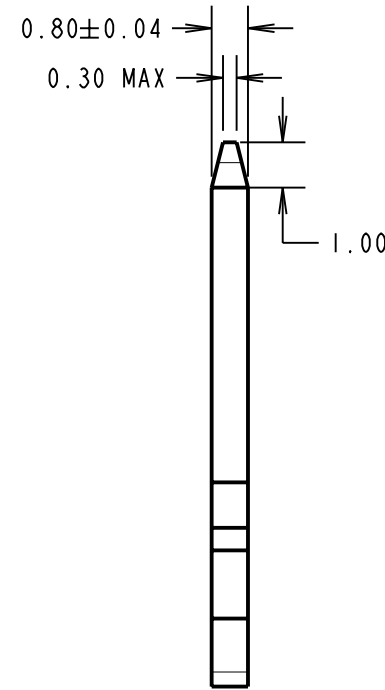
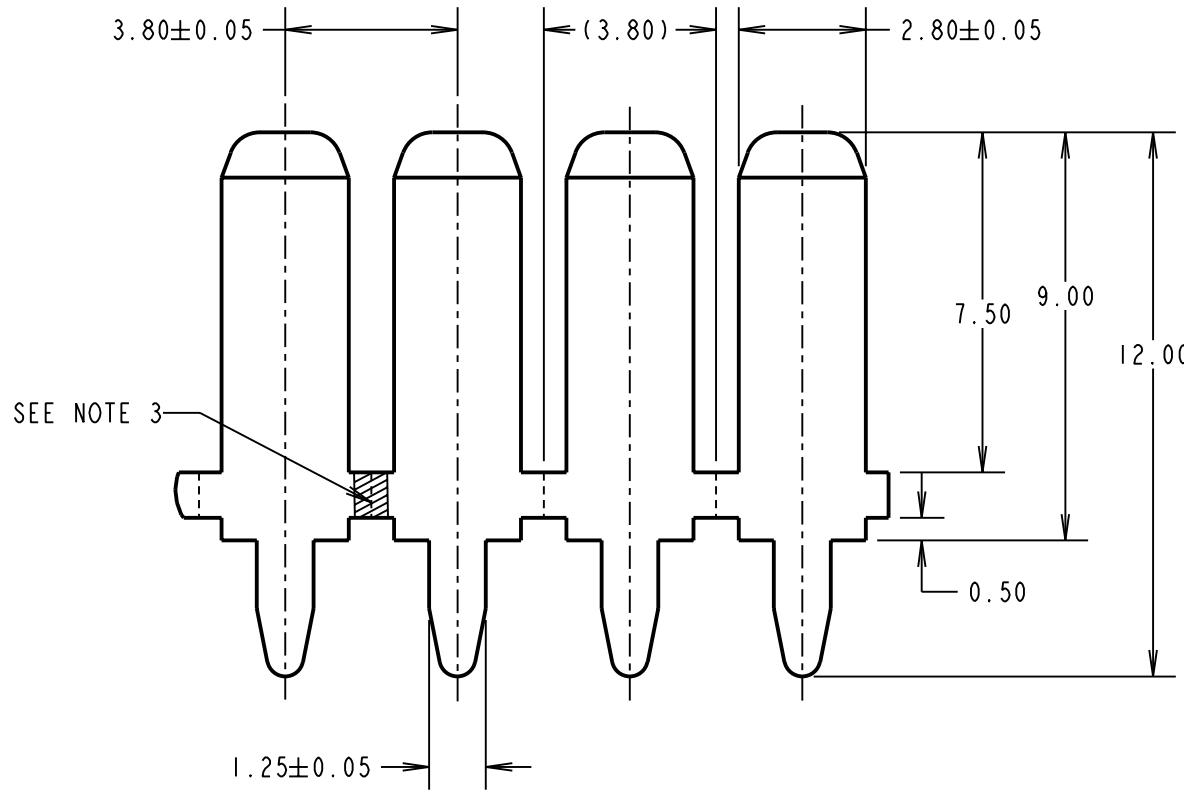
IF IN DOUBT - ASK

©

NOT TO SCALE

THIRD ANGLE PROJECTION

ALL DIMENSIONS IN mm



COMPONENTS SHOWN REELED  
READY FOR INSERTION

SEE NOTE 3

- NOTES:
1. QUANTITY OF TABS PER REEL = 20K.  
TOTAL WEIGHT PER REEL = 5.5kg (INCLUDING REEL).
  2. RECOMMENDED MOUNTING HOLE SIZE =  $\varnothing 1.30 \pm 0.06$ mm.
  3. THIS SECTION CAN BE CROPPED OUT WITH THE APPROPRIATE TOOLING.

ORDER CODE:  
**S437-XX**  
FINISH: \_\_\_\_\_  
~~06 = 4µ 90/10 TIN/LEAD~~  
37 = 5µ SILVER  
~~46 = 4µ 100% TIN~~

SB	4	22.03.11	10770
NAME	ISS.	DATE	C/NOTE
APPROVED:		S. BENNETT	
CHECKED:		R. ADDE	
DRAWN:		J. EVANS	
CUSTOMER REF.:			
ASSEMBLY DRG:			

## HARWIN

HARWIN USA TEL: 603 893 5376 FAX: 603 893 5396 mis@harwin.com	HARWIN Europe (UK) TEL: 023 9231 4545 FAX: 023 9231 4590 mis@harwin.co.uk	HARWIN Asia TEL: +65 6 779 4909 FAX: +65 6 779 3868 mis@harwin.com.sg
--	--	--

THIS DRAWING AND ANY INFORMATION OR DESCRIPTIVE MATTER SET OUT HEREON ARE CONFIDENTIAL AND COPYRIGHT PROPERTY OF THE HARWIN GROUP AND MUST NOT BE DISCLOSED, LOANED, COPIED OR USED FOR MANUFACTURING, TENDERING OR FOR ANY OTHER PURPOSE WITHOUT THEIR WRITTEN PERMISSION.

TOLERANCES  
X. =  $\pm 1$ mm  
X.X =  $\pm 0.25$ mm  
X.XX =  $\pm 0.10$ mm  
X.XXX =  $\pm 0.01$ mm  
ANGLES =  $\pm 5^\circ$   
UNLESS STATED

MATERIAL: BRASS CW508L TO BS EN 1652 (CuZn37 HARD)  
FINISH: SEE ABOVE  
S/AREA: mm<sup>2</sup>

TITLE: 2.8mm VERTICAL BLADE REELED TERMINAL (9mm HIGH)  
DRAWING NUMBER: **S437-XX**  
SHT 3 OF 3