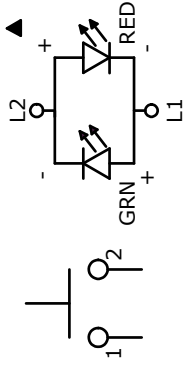
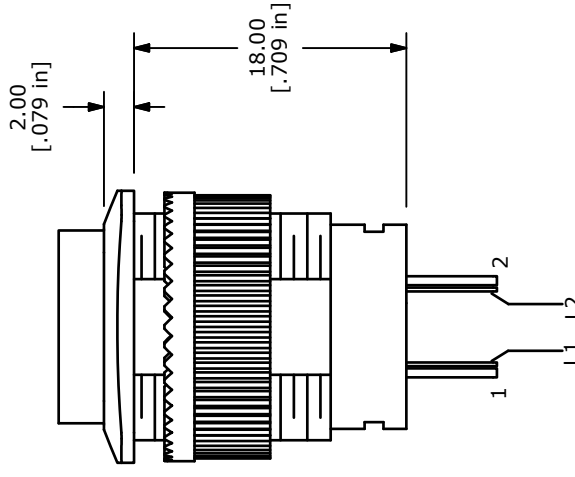
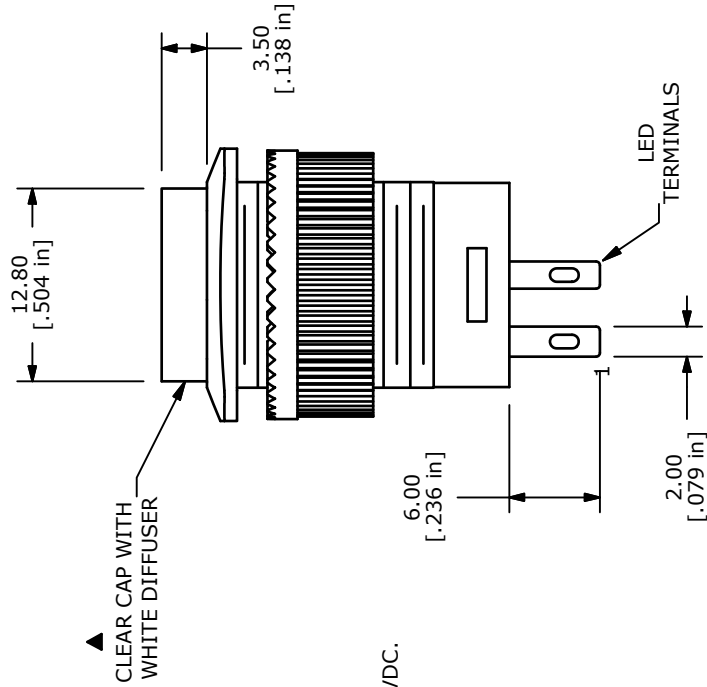
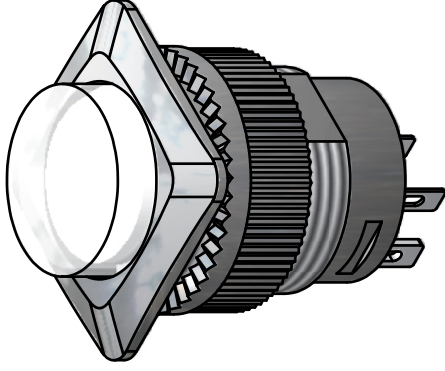
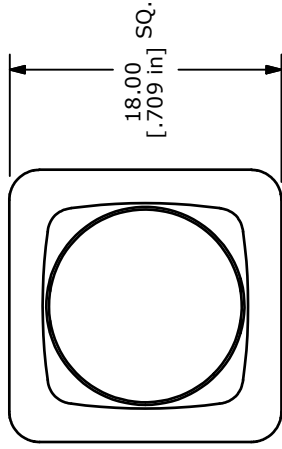


PANEL MOUNTING



CIRCUIT: SPST  
LATCHING



- NOTE:
1. ALL DIMENSIONS IN MM [INCH]
  2. GENERAL TOLERANCE: X.X=±0.4  
X.XX=±0.25
  3. TERMINAL NUMBERS FOR REF ONLY
  4. CIRCUIT: SPST OFF-MOMENTARY ON
  5. CONTACT RATING: 3A @ 125VAC, 1.5A @250VAC
  6. ELECTRIC LIFE: 6,000 CYCLES AT FULL LOAD MIN.
  7. CONTACT RESISTANCE: 50 milli-OHM max. (INITIAL)
  8. INSULATION RESISTANCE: 100 MEGA-OHM min. @ 500VDC.
  9. DIELECTRIC STRENGTH: 1,500VAC FOR 1 MINUTE.
  10. LED: 3V RED - GREEN
  11. OPERATING TEMPERATURE: -0°C TO +65°C.
  12. PANEL THICKNESS RANGE: 7.0 mm MAX.
  13. ▲DENOTES CRITICAL PARAMETER.
  14. 2002/95/EC (ROHS) COMPLIANT
  15. HARDWARE INCLUDED: Mounting Nut

▲ LED SPECS	UNITS	RED	GREEN
FORWARD CURRENT	mA	20	20
FORWARD VOLTAGE	V	1.8-2.4	2.0-2.6
LUMINOUS INTENSITY	MCD	100	20



E-SWITCH™

TITLE RP3508BBLKCLRREDGRNNS

C	19613	ADDED LED SPECS	1/20/11	BGL
B	19082	Added LED colors in schematic	5/19/10	rc
A	18852	Release for Production	2/5/10	BLR
REV	PCR NO	DESCRIPTION	DATE	BY

THE INFORMATION CONTAINED IN THIS DOCUMENT IS PROPRIETARY TO E-SWITCH AND IS NOT TO BE COPIED OR TRANSFERRED

SCALE 2 : 1

DATE 2/5/2010

DR BLR

DWG F130428

REV C