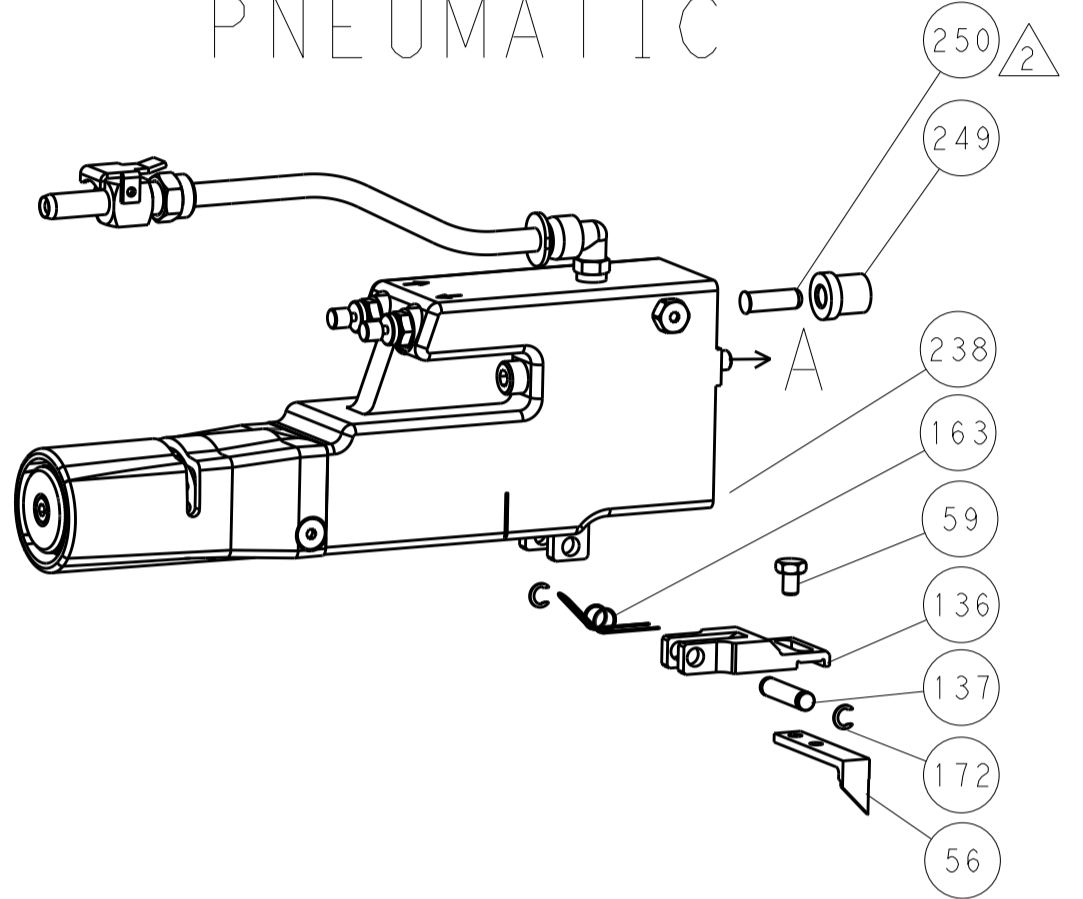


LOC		DIST		REVISIONS			
A	66	P	LTM	DESCRIPTION	DATE	OWN	APVD
		-	-	SEE SHEET 1	-	-	-

FEED TYPE MECHANICAL



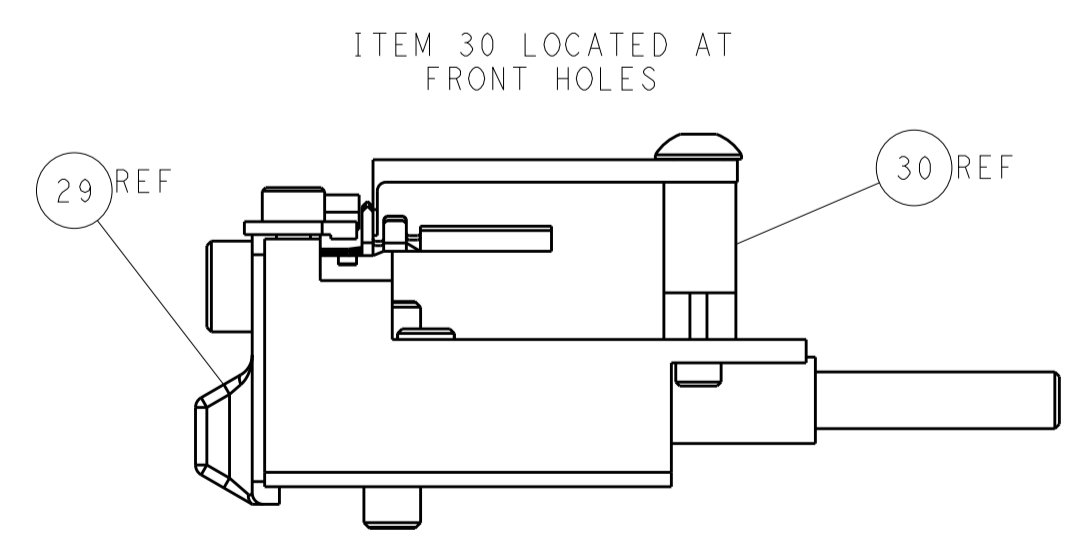
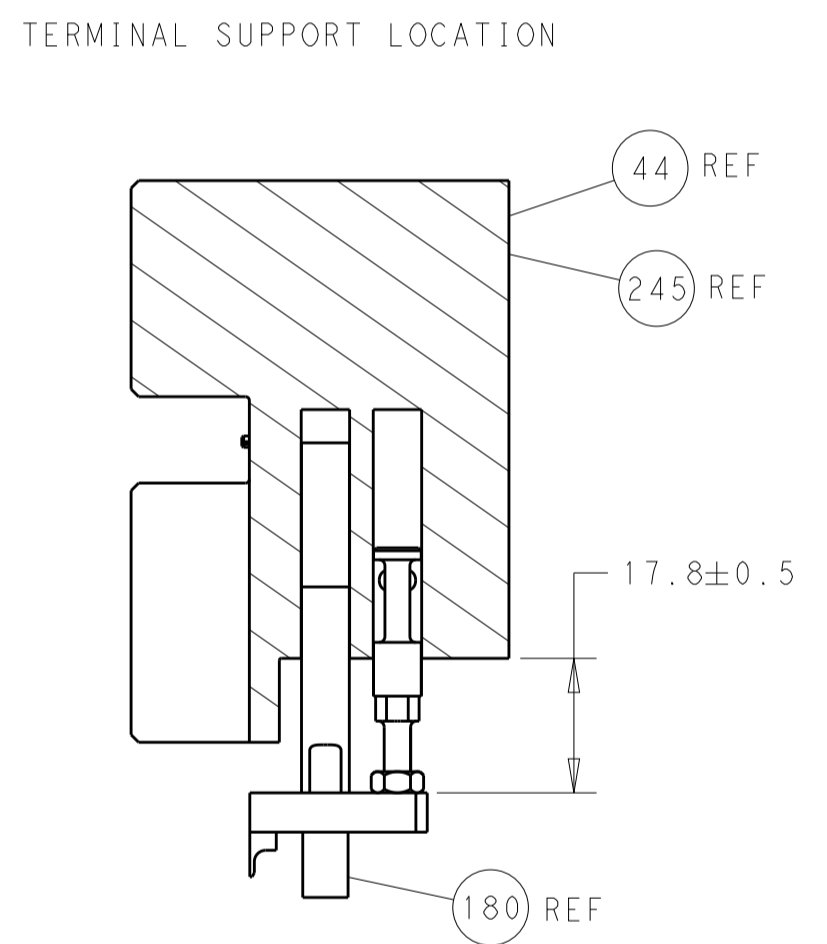
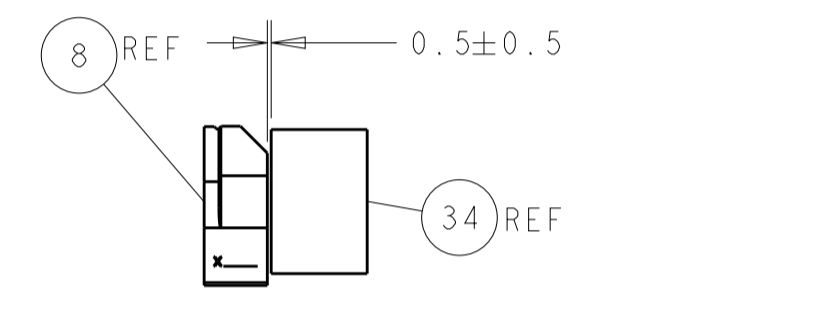
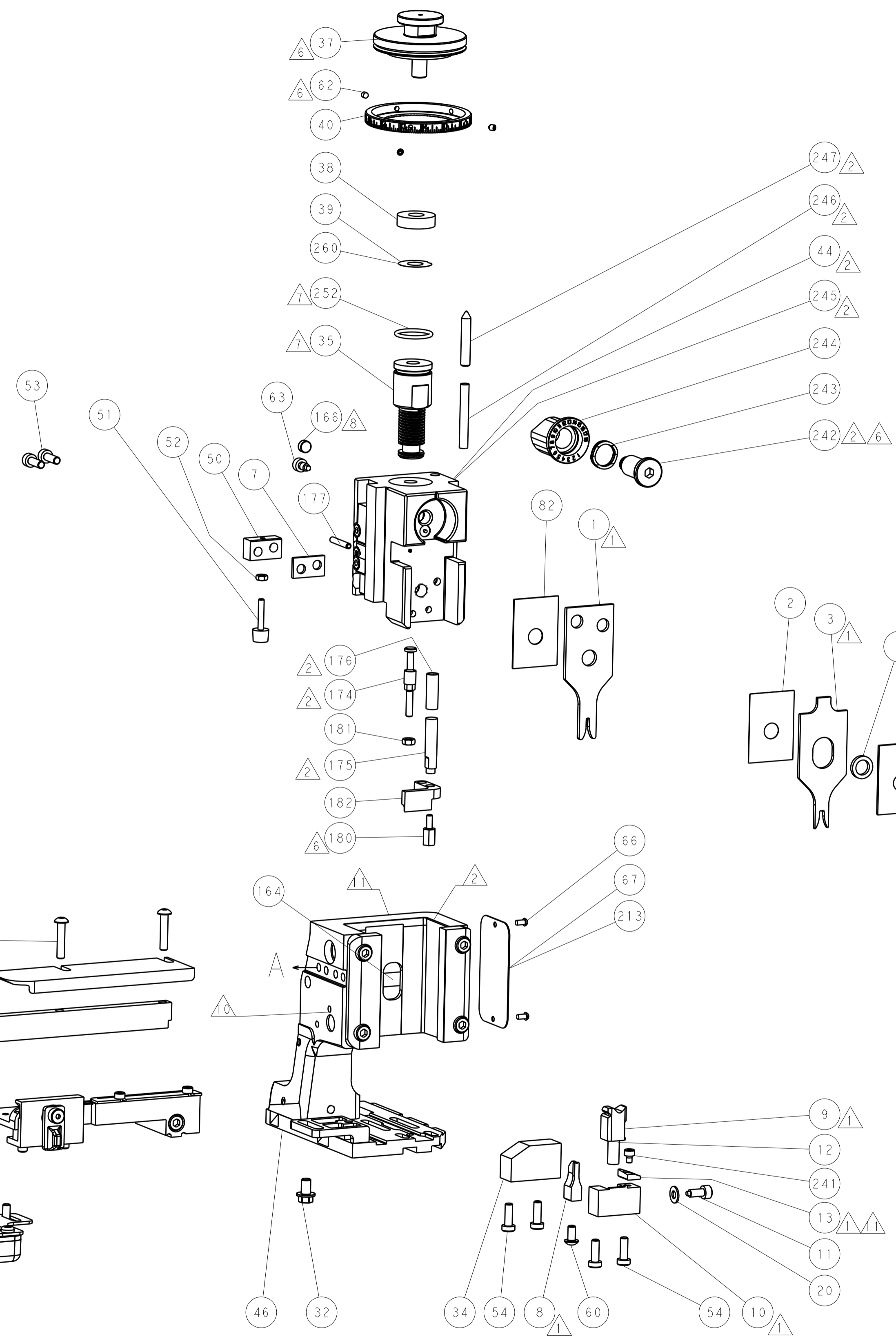
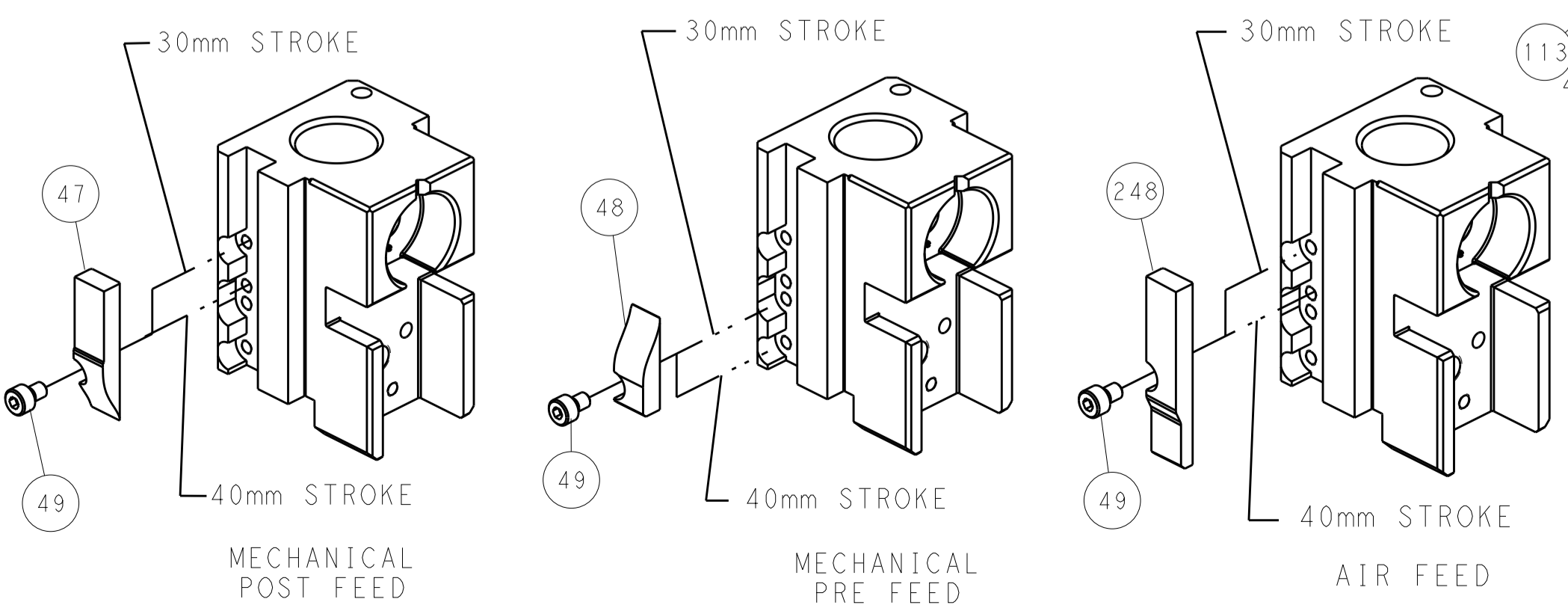
PNEUMATIC



SERVO LATCH PLATE



CAM POSITIONS



ATLANTIC VERSION
 Shown on sheets 1 of 4 & 2 of 4
 (Pacific version shown on sheets 3 of 4 & 4 of 4)

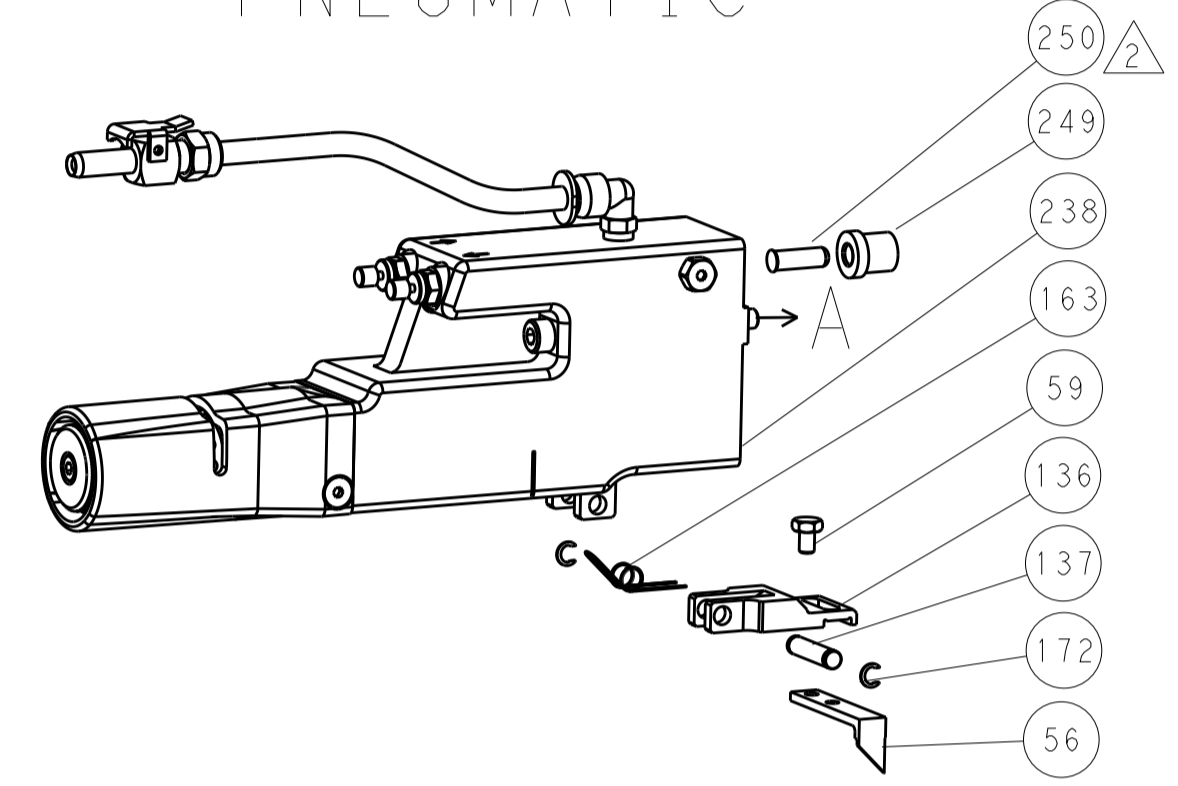
DIMENSIONS:		TOLERANCES UNLESS OTHERWISE SPECIFIED:		DWN 31MAR2014		TE Connectivity	
mm	0 PLC	±		EL_GROSS	31MAR2014	Harrisburg, PA 17105-3608	
	1 PLC	±		CHK T. ELBIN	31MAR2014	NAME	
	2 PLC	±		D. STOUGH	31MAR2014	Ocean Side Feed	
	3 PLC	±		APVD		Applicator	
	4 PLC	±		PRODUCT SPEC		RESTRICTED TO	
	ANGLES	±		APPLICATION SPEC		SIZE CAGE CODE DRAWING NO	
MATERIAL	FINISH			WEIGHT		A1 00779 C=2266248	
				Customer Accessible Production Drawing		SCALE	1:2 SHEET 2 OF 4 REV B

LOC		DIST		REVISONS			
A	66	P	LTM	DESCRIPTION	DATE	DWN	APVD
-	-	-	-	SEE SHEET 1	-	-	-

FEED TYPE MECHANICAL



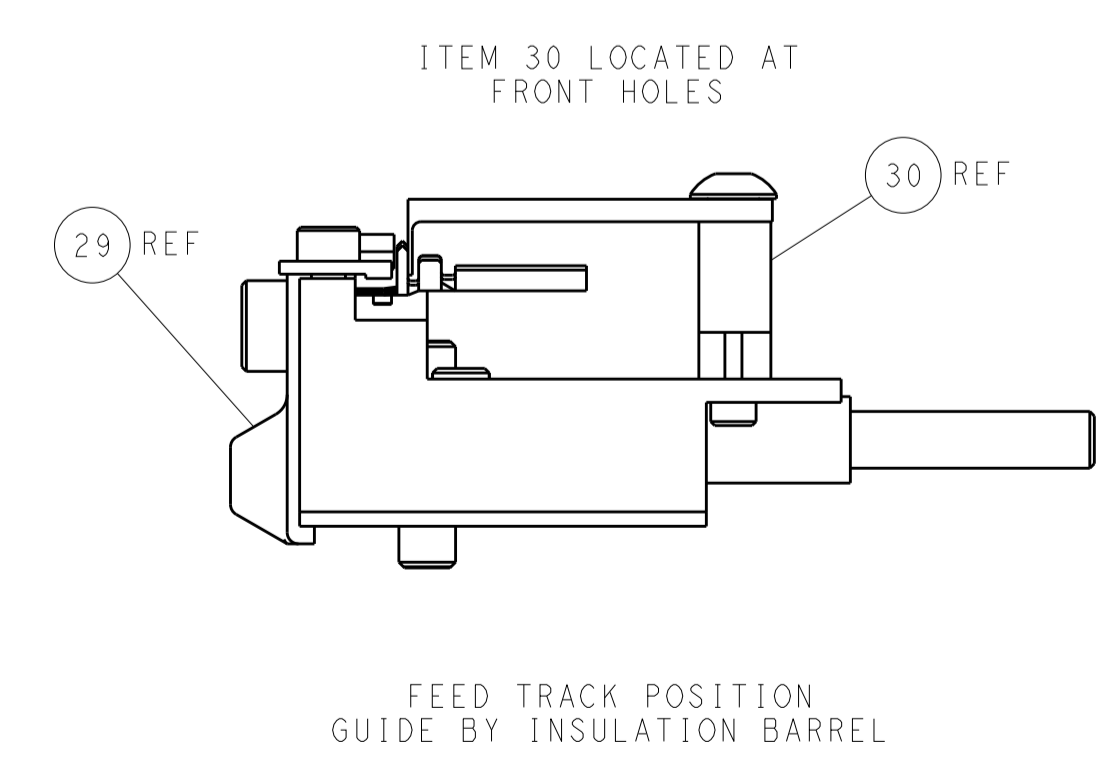
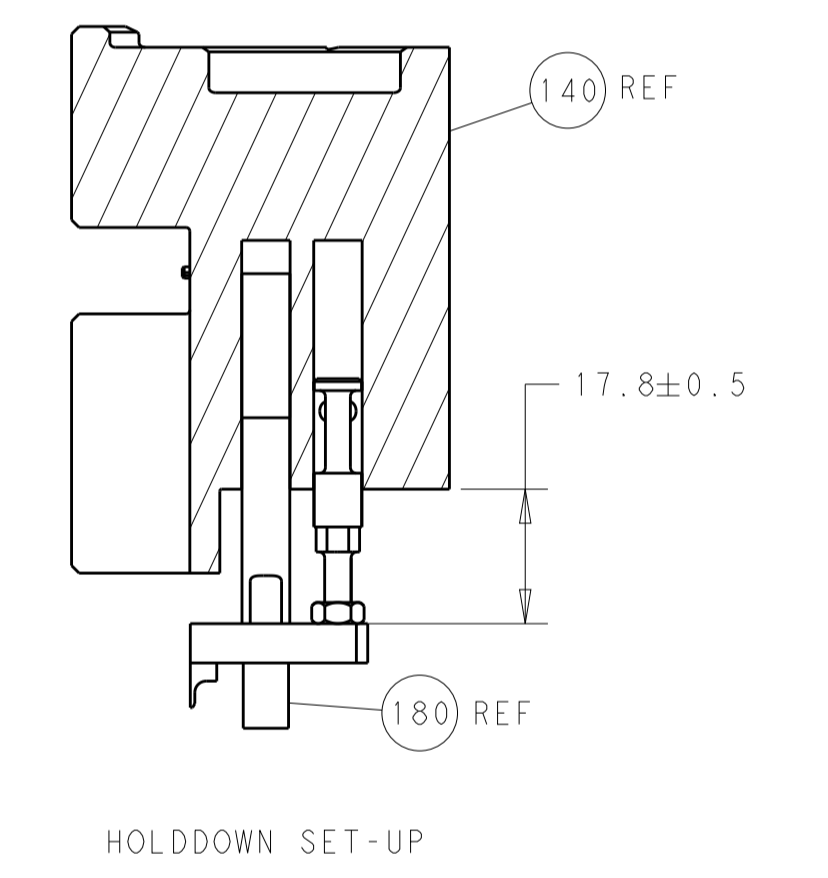
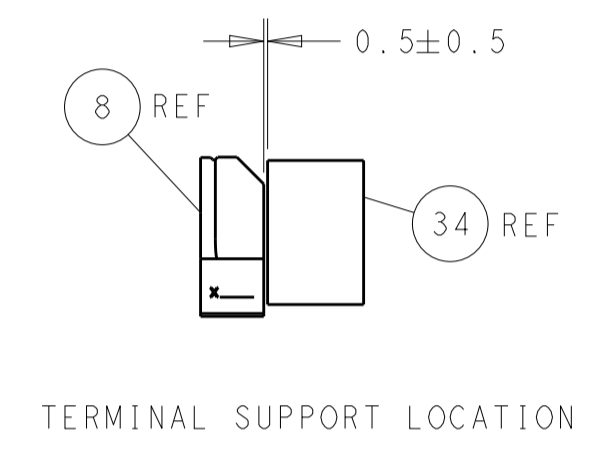
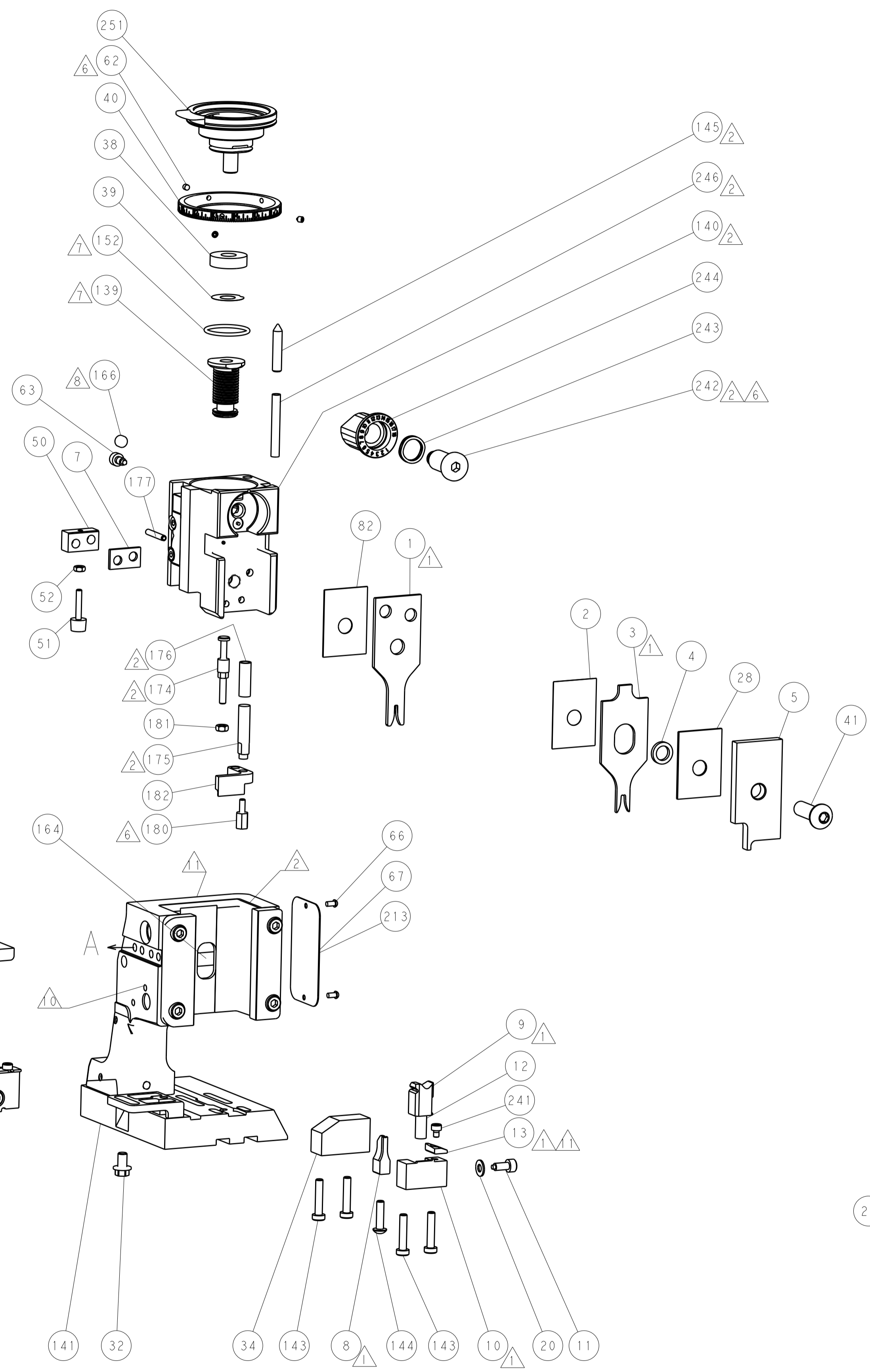
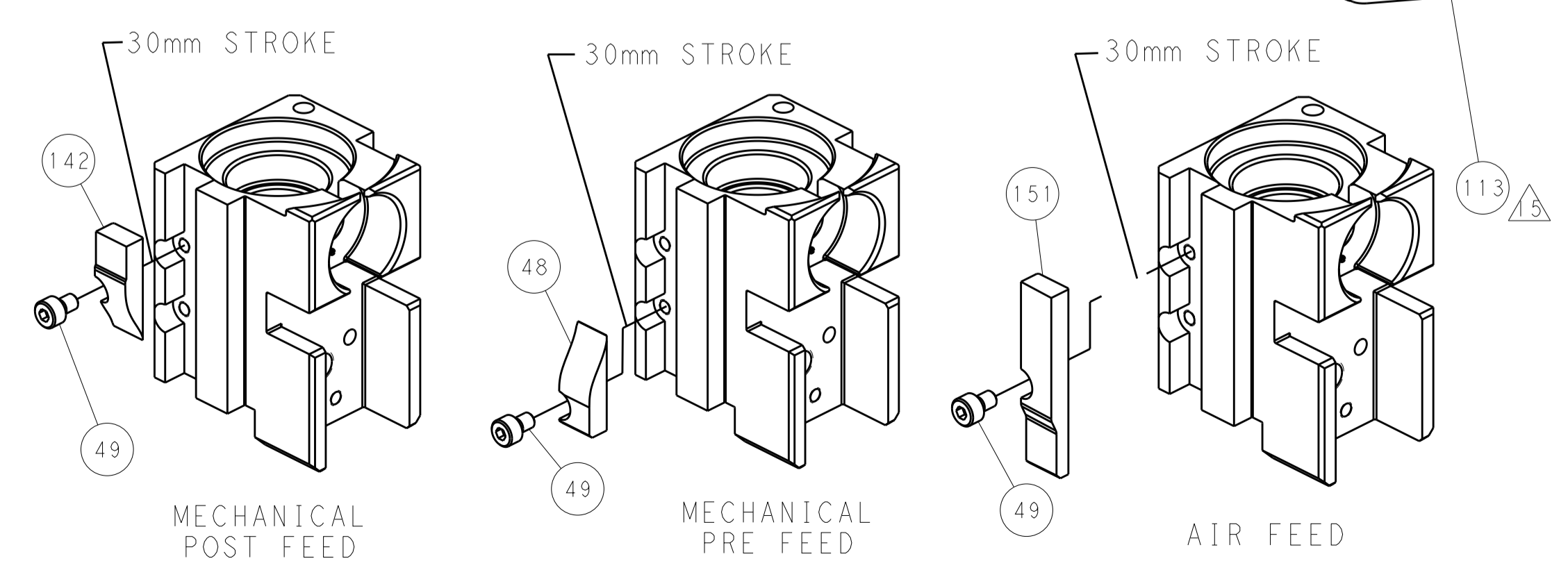
PNEUMATIC



SERVO LATCH PLATE



CAM POSITIONS



PACIFIC VERSION
 Shown on sheets 3 of 4 & 4 of 4
 (Atlantic version shown on sheets 1 of 4 & 2 of 4)

<small>THIS DRAWING IS UNPUBLISHED. RELEASED FOR PUBLICATION. IT IS THE PROPERTY OF TYCO ELECTRONICS CORPORATION. IT IS TO BE USED ONLY FOR THE PURPOSES AND IN THE ORGANIZATION SPECIFIED. IT IS NOT TO BE REPRODUCED, COPIED, OR DISTRIBUTED IN ANY MANNER WITHOUT THE WRITTEN PERMISSION OF TYCO ELECTRONICS CORPORATION.</small>		DWN EL GROSS 31MAR2014 CHK T. ELBIN 31MAR2014 APVD D. STOUGH 31MAR2014	NAME Ocean Side Feed Applicator	SIZE A1	CAGE CODE 00779	DRAWING NO. 2266248	RESTRICTED TO -
DIMENSIONS:	TOLERANCES UNLESS OTHERWISE SPECIFIED:	PRODUCT SPEC	APPLICATION SPEC	WEIGHT	SCALE	SHEET	REV
mm	0 PLC ± 1 PLC ± 2 PLC ± 3 PLC ± 4 PLC ± ANGLES ±				1:2	4 OF 4	B
MATERIAL	FINISH	Customer Accessible Production Drawing					