

Extension module - PSR-SPP- 24DC/TS/SDOR4/4X1 - 2986106

Please be informed that the data shown in this PDF Document is generated from our Online Catalog. Please find the complete data in the user's documentation. Our General Terms of Use for Downloads are valid (<http://phoenixcontact.com/download>)




PSR-TRISAFE-M relay output extension module with 4 safe relay output contacts (choice of 4 single-channel or 2 two-channel relay contacts), 4 signal outputs; up to SILCL 3, Cat. 4/PL e, SIL 3, EN 50156, plug-in spring-cage terminal block

The figure shows a version with a screw connection



Key Commercial Data

Packing unit	1 STK
GTIN	 4 046356 536547
GTIN	4046356536547

Technical data

Note

Utilization restriction	EMC: class A product, see manufacturer's declaration in the download area
-------------------------	---

Dimensions

Width	22.5 mm
Height	112 mm
Depth	114.5 mm

Ambient conditions

Ambient temperature (operation)	-20 °C ... 55 °C
Ambient temperature (storage/transport)	-20 °C ... 70 °C

Input data

Nominal input voltage U_N	24 V DC (via PSR-TBUS)
Input voltage range in reference to U_N	0.85 ... 1.1
Typical input current at U_N	120 mA
Protective circuit	Surge protection Suppressor diode

Extension module - PSR-SPP- 24DC/TS/SDOR4/4X1 - 2986106

Technical data

Input data

Status display	2 LEDs (green, red)
----------------	---------------------

Output data

Contact type	4 enabling current paths
	4 alarm outputs
Contact material	AgCuNi, + 0.2 µm Au
Minimum switching voltage	5 V AC/DC
Maximum switching voltage	250 V AC/DC
	24 V DC
Limiting continuous current	4 A (see derating curve)
Inrush current, minimum	5 mA
Maximum inrush current	6 A
Switching capacity min.	60 mW
Output fuse	6 A gL/gG
Response time	max. 50 ms

Alarm outputs

Number of outputs	4
Voltage	24 V DC (A1 / A2)
Limiting continuous current	50 mA
Electrical isolation	yes, against relay outputs
Short-circuit protection	Yes

General

Nominal operating mode	100% operating factor
Net weight	274.4 g
Mounting type	DIN rail mounting
Mounting position	horizontal
Degree of protection	IP54
	IP20
Min. degree of protection of inst. location	IP54
Control	one and two channel
Housing material	Polyamide PA non-reinforced
Housing color	yellow
Interfaces	DIN rail TBUS for connection to the master module, supplied as standard

Connection data

Connection method	Spring-cage connection
pluggable	Yes
Conductor cross section solid min.	0.2 mm ²
Conductor cross section solid max.	1.5 mm ²
Conductor cross section flexible min.	0.2 mm ²

Extension module - PSR-SPP- 24DC/TS/SDOR4/4X1 - 2986106

Technical data

Connection data

Conductor cross section flexible max.	1.5 mm ²
Conductor cross section AWG min.	24
Conductor cross section AWG max.	16
Stripping length	8 mm

Safety-related characteristic data

Designation	IEC 61508 - High demand
Safety Integrity Level (SIL)	3
Designation	IEC 61508 - Low demand
Safety Integrity Level (SIL)	3
Designation	EN ISO 13849
Performance level (PL)	e
Category	4
Designation	EN 62061
Safety Integrity Level Claim Limit (SIL CL)	3
Designation	EN 50156
Safety Integrity Level (SIL)	3

Standards and Regulations

Designation	Air clearances and creepage distances between the power circuits
Standards/regulations	DIN EN 50178
Rated insulation voltage	250 V
Rated surge voltage/insulation	4 kV / basic insulation between output contact current paths (13/14, 23/24, 33/34, 43/44); 6 kV / safe isolation, reinforced insulation between output contact current paths (13/14, 23/24, 33/34, 43/44) and the other circuits
Degree of pollution	2
Overvoltage category	III

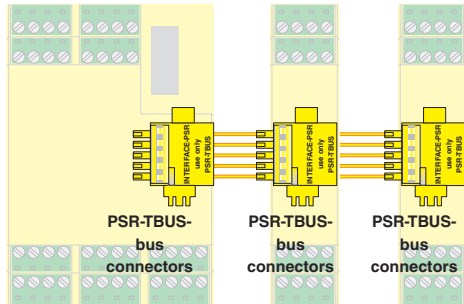
Environmental Product Compliance

China RoHS	Environmentally friendly use period: unlimited = EFUP-e
	No hazardous substances above threshold values

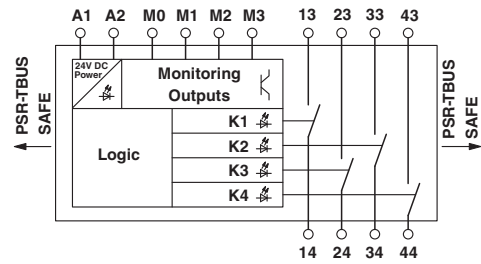
Drawings

Extension module - PSR-SPP- 24DC/TS/SDOR4/4X1 - 2986106

Connection diagram



Circuit diagram



PSR-TBUS DIN rail connectors are used for cross-wiring between the modules.

Approvals

Approvals

Approvals

UL Listed / cUL Listed / Functional Safety / EAC / cULus Listed

Ex Approvals

Approval details

UL Listed		http://database.ul.com/cgi-bin/XYV/template/LISEXT/1FRAME/index.htm	FILE E 140324
cUL Listed		http://database.ul.com/cgi-bin/XYV/template/LISEXT/1FRAME/index.htm	FILE E 140324
Functional Safety			01/205/5151.01/16
EAC			RU C- DE.A*30.B.01082

Extension module - PSR-SPP- 24DC/TS/SDOR4/4X1 - 2986106

Approvals

cULus Listed



Phoenix Contact 2017 © - all rights reserved
<http://www.phoenixcontact.com>

PHOENIX CONTACT GmbH & Co. KG
Flachsmarktstr. 8
32825 Blomberg
Germany
Tel. +49 5235 300
Fax +49 5235 3 41200
<http://www.phoenixcontact.com>