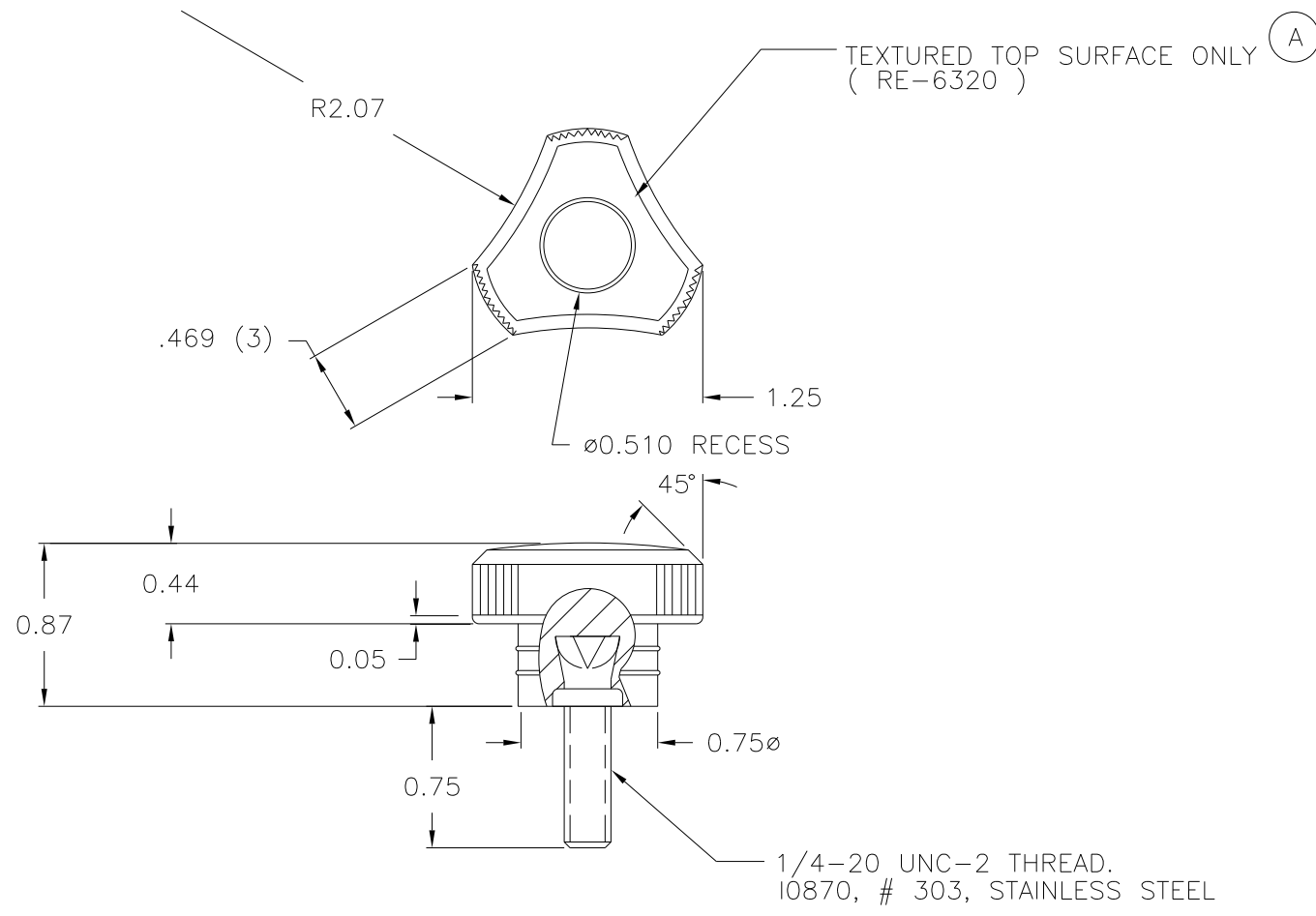


PART NAME: KNOB      SCALE: 1:1      DATE: 6/30/92      DR. BY HD

THIS DRAWING IS THE PROPERTY OF DAVIES MOLDING COMPANY, IS SUBMITTED SOLELY AS A DESIGN OR ENGINEERING PROJECT. WE ACCEPT NO RESPONSIBILITY WHATSOEVER FOR THE PRACTICAL APPLICATION OF THE PIECES MADE TO THIS DESIGN.



P/N	3072AL
M NO.	3025
CAV.	3072
PLUNGER	3072
PIN	3000-H
SHIMS	1/8+3/16
INSERT	I0870
SPACER BAR UNDER LEG(S)	1.734
PLUNGER KEY	1/4x1/4x5/8
CAVITY KEY	1/4x1/4x1/2



MATERIAL: G.P. PHENOLIC (B11)  
COLOR: BLACK

TOLERANCES: UNLESS OTHERWISE SPECIFIED	DO NOT SCALE DRAWING			
DECIMALS: X.XXX ± .005 X.XX ± .015	MM: X.XX ± 0.15MM X.X ± 0.4MM	-	UPDATED DWG.	HD 8/5/97
FRACTIONS ± 1/64	ANG. ± 1°	A	PIN+SHIM REVI.	HD 12/22/93
CHANGES				