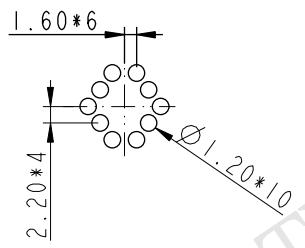
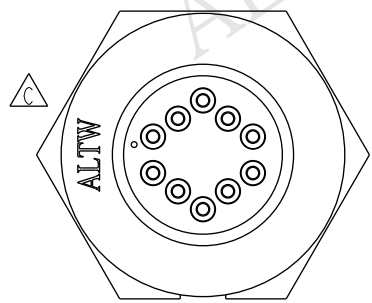
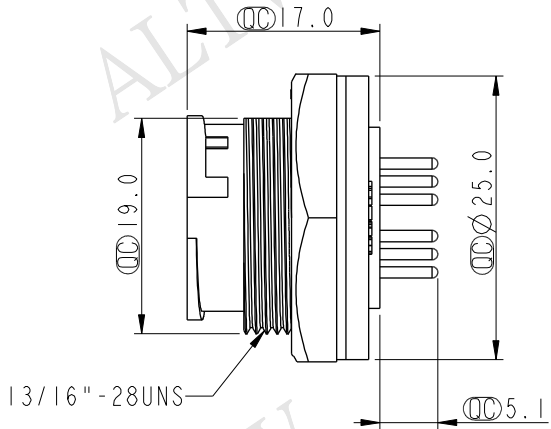
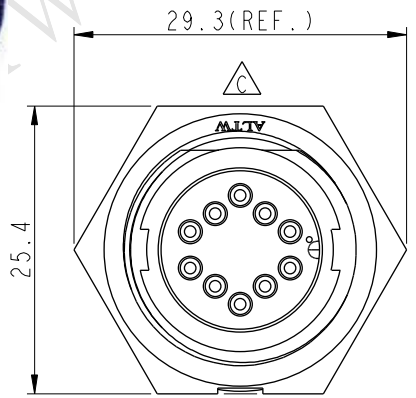
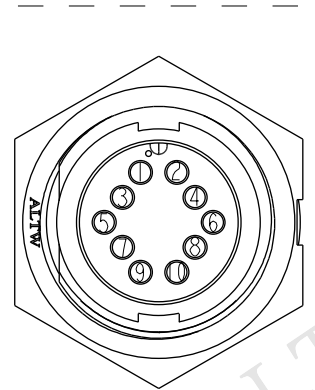
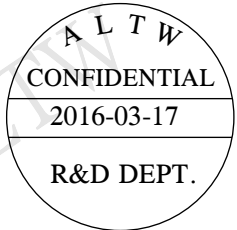


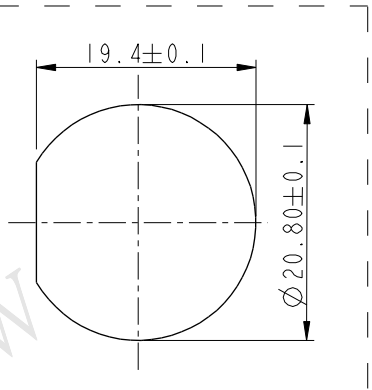
REV.	ECN NO.	DATE	SIGN	DESCRIPTION
B	LEN-8B0077	2008/09/25	Shin	Add Note
C	LEN1630522	2016/03/17	Ruru	Change Logo



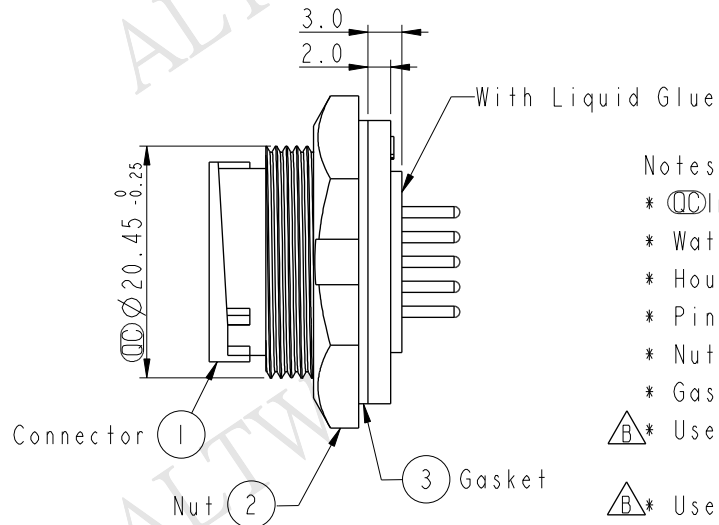
10Pin Male Connector
Male Pin PCB Layout



Pin Assignments
Front View



Recommended Panel Cut-Out



- Notes:
- * \varnothing Important Dimension To Check.
 - * Waterproof Rate: IP67
 - * Housing: Black, Nylon+GF
 - * Pin: Copper Alloy, Gold Plated
 - * Nut: Nylon+GF
 - * Gasket: EPDM
 - \triangle * Use with waterproof cap or dust cap
Panel Thickness Max: 3.0mm
 - \triangle * Use without waterproof cap or dust cap
Panel Thickness Max: 4.0mm

UNIT:mm		TITLE Middle Panel Lock 10Pin M Conn M Pin			Amphenol LTW 安費諾亮泰企業股份有限公司	ITEM NO	DRAWN BY	DATE
		SCALE 1:1	SIZE A4	SHEET 1 OF 1		CD-10PMMP-LC7001	Ruru	2016-03-17
TOLERANCE .X ±0.25 .XX ±0.1 .XXX ±0.05 ANGLES ±1°		REV. C	WC-REV. A.2	\varnothing : Inspection item	DWG NO CD-10PMMP-LC7001	CHECKED BY Rita	DATE 2016-03-17	
					CUSTOMER ALTW	APPROVED BY Lisa	DATE 2016-03-17	

THIS DOCUMENT IS SUBJECT TO CHANGE WITHOUT NOTICE. IT IS CONFIDENTIAL AND A PROPERTY OF Amphenol LTW. DISCLOSURE TO THIRD PARTY HAS TO BE AUTHORIZED BY Amphenol LTW.