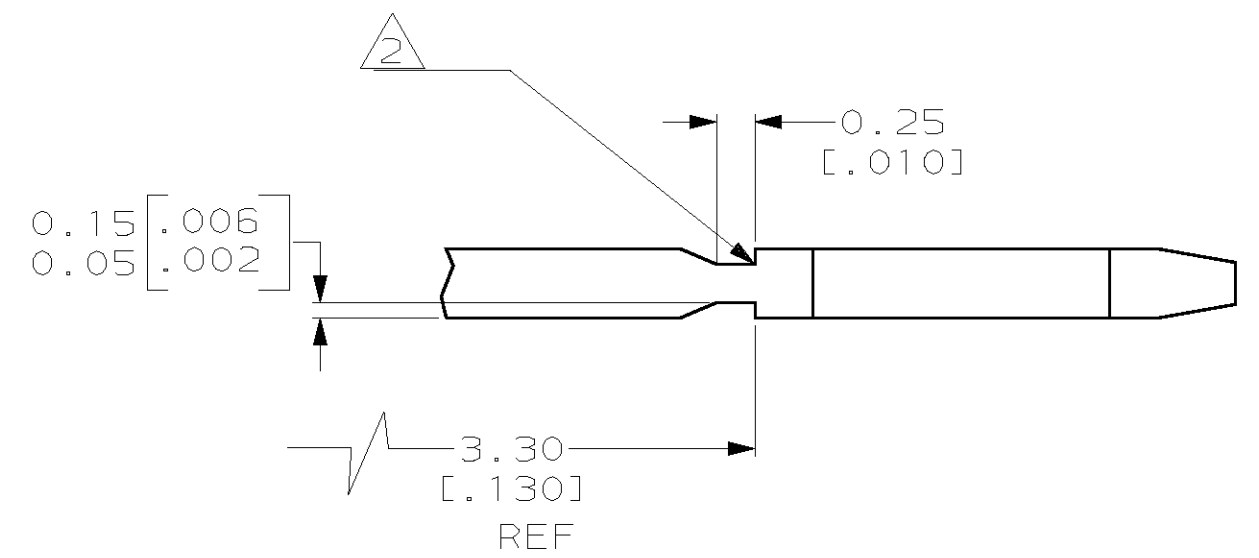
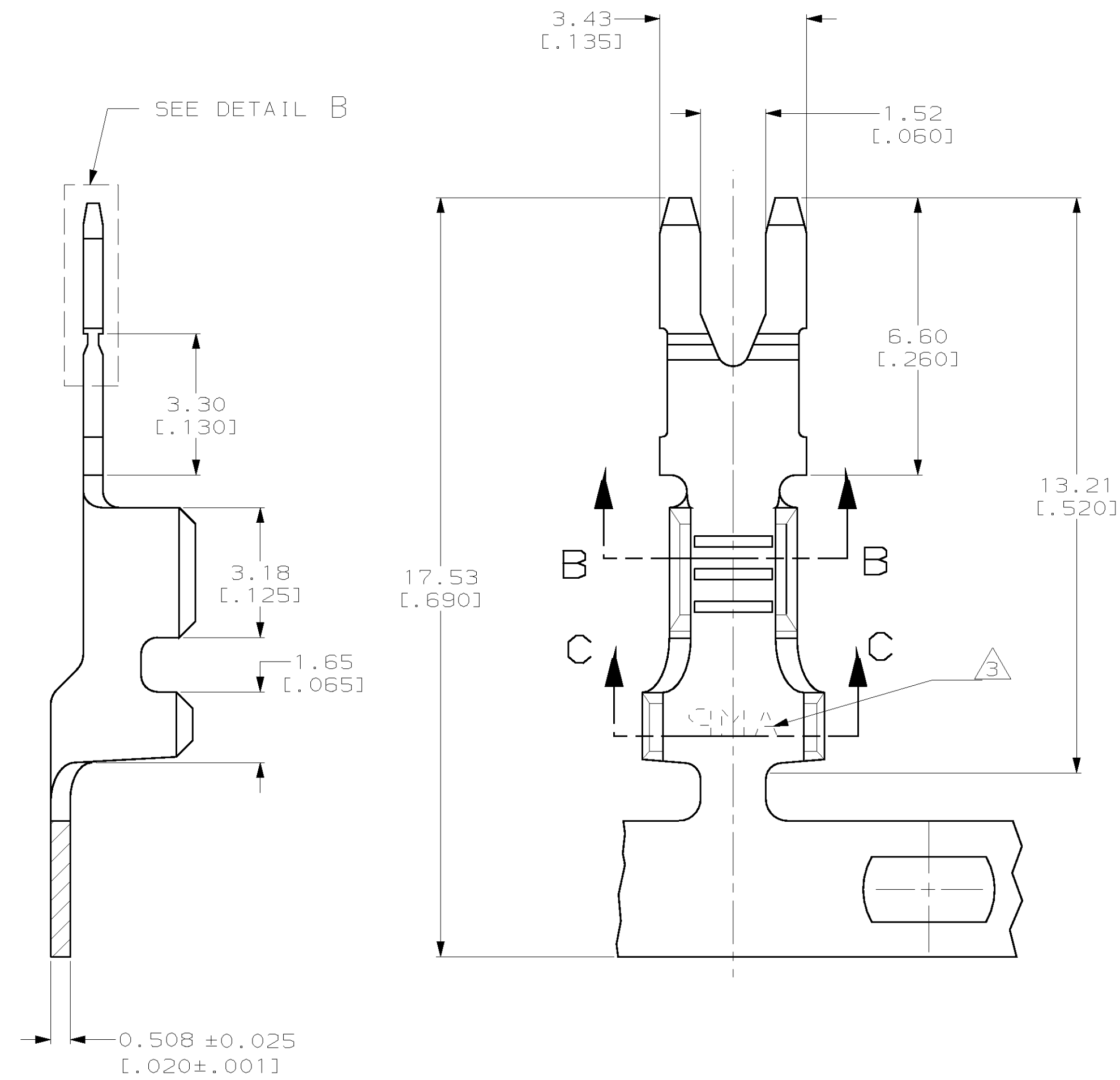


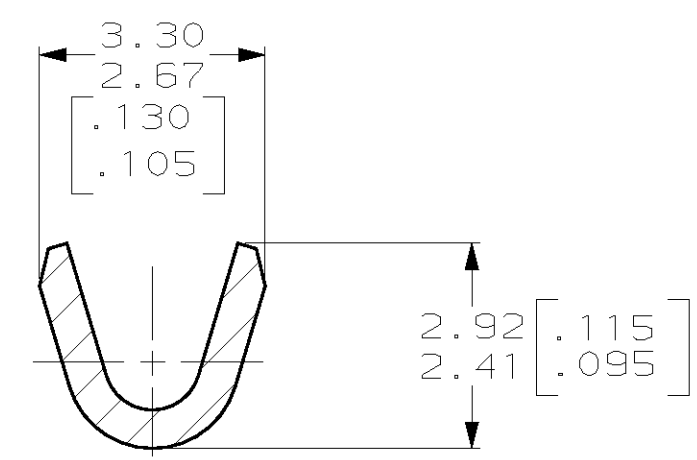
THIS DRAWING IS UNPUBLISHED. RELEASED FOR PUBLICATION
 (C) COPYRIGHT 19 BY AMP INCORPORATED. ALL RIGHTS RESERVED.

LOC	DIST	REVISIONS			
P	LTR	DESCRIPTION	DATE	DWN	APVD
AF	50	REV PER 0L10-0048-98	26FEB98	RG	GP

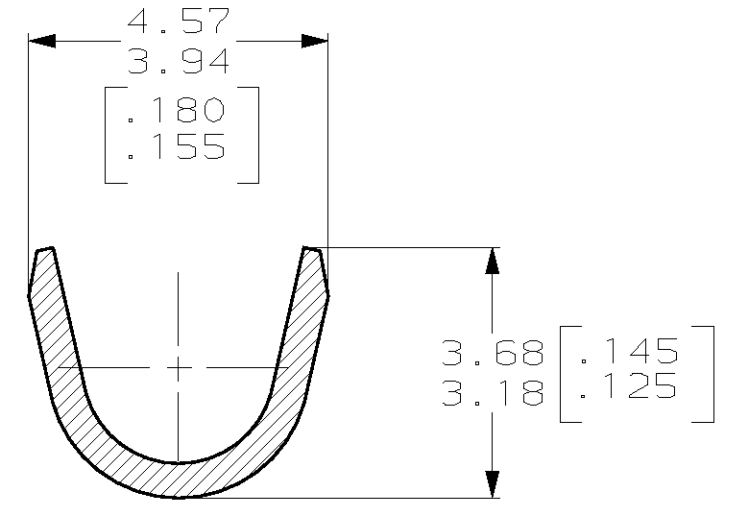
1 CONTINUOUS STRIP ON REELS
 2 FOR OPTIMUM RETENTION IN POKE-IN TYPE MAG-MATE TERMINALS, THE SERRATION AS SHOWN MUST BE ENGAGED WITH THE EDGE OF THE LEAF



DETAIL B
 SCALE 20:1
 ROTATED 90° C.W.



SECTION A-A



SECTION C-C

1.52-2.54 [.060-.100] DIA	0.3-0.8mm ² [#22-#18]	62898-1
INSULATION RANGE	WIRE RANGE	PART NUMBER

THIS DRAWING IS A CONTROLLED DOCUMENT.		DWN R.GRZYBOWSKI 26NOV96	AMP Incorporated Harrisburg, PA 17105-3608	
DIMENSIONS: mm [INCHES]	TOLERANCES UNLESS OTHERWISE SPECIFIED:	CHK M.S.FEHER 26NOV96	NAME G.PORTA	
0 PLC ±-	1 PLC ±-	APVD G.PORTA 26NOV96	PRODUCT SPEC -	
2 PLC ±0.25 [.010]	3 PLC ±-	APPLICATION SPEC 114-2050	SIZE A2	CAGE CODE 00779
4 PLC ±-	ANGLES ±-	MATERIAL 082 BRASS	WEIGHT -	DRAWING NO C-62898
		FINISH 0.002032 [.000080] MIN PRE-TIN MIL-T-10727	CUSTOMER DRAWING	SCALE 10:1 SHEET 1 OF 1 REV T