

4

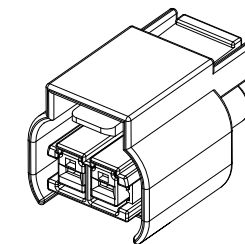
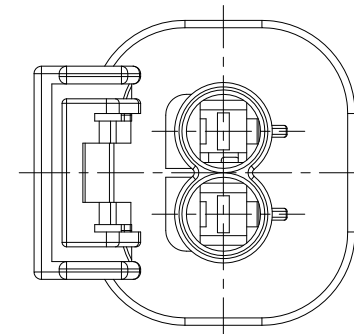
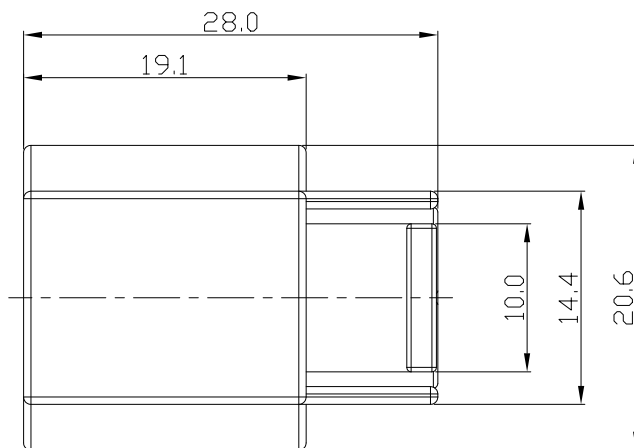
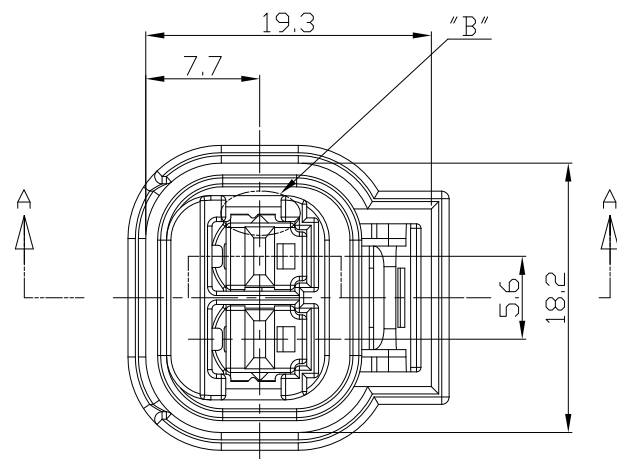
3

2

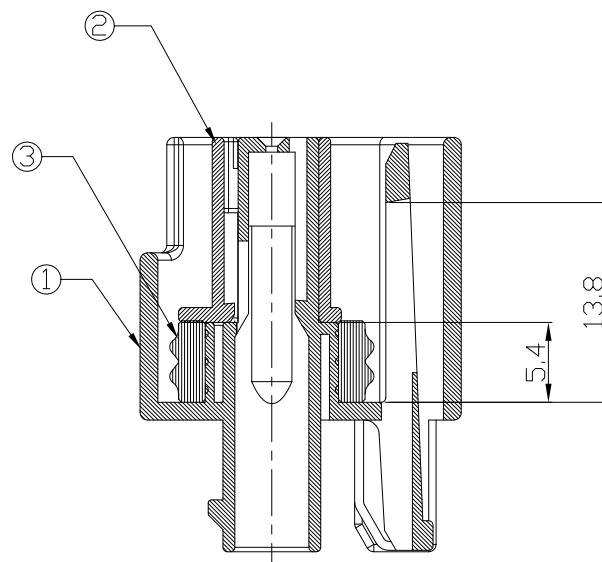
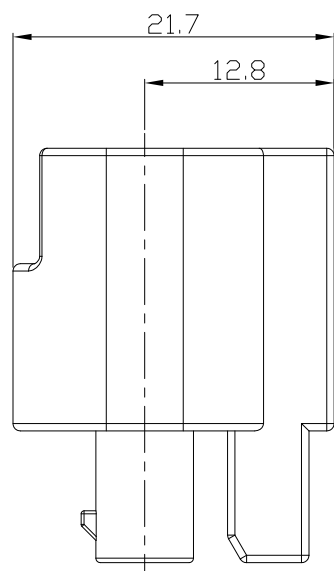
1

THIS DRAWING IS UNPUBLISHED. RELEASED FOR PUBLICATION  
© COPYRIGHT BY TYCO ELECTRONICS CORPORATION, ALL RIGHTS RESERVED.

LOC	DIST	REVISIONS					
DS	-	P	LTR	DESCRIPTION	DATE	DWN	APVD
			A	REVISED PER FC00-0252-04	14.OCT.'04	CH	CS
			A1	REVISED (ECR-09-008548)	16.APR.'09	KT	HG



3D VIEW  
(SCALE: 1/1)



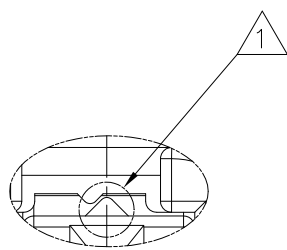
A-A

NOTES

- 1. CONDITION OF DELIVERY : DBL PLATE IN OPEN POSITION.
- 2. APPLIED RECEPTACLE CONTACT P/N:

CONTACT	JPT TERMINAL		
Part NO.	927772-3	927770-3	927766-3
WIRE SIZE(mm <sup>2</sup> )	0.3	0.5-1.0	1.5-2.5

- 3. APPLIED MALE CONNECTOR P/N : 936291-1
- 4. APPLIED WIRE COVER HSG P/N : 936311-1  
(CORRUGATOR DIA : Ø5)



DETAIL "B"  
SCALE 5:1

THIS DRAWING IS A CONTROLLED DOCUMENT FOR TYCO ELECTRONICS CORPORATION  
IT IS SUBJECT TO CHANGE AND THE CONTROLLING ENGINEERING ORGANIZATION  
SHOULD BE CONTACTED FOR THE LATEST REVISION.

DIMENSIONS: MM	TOLERANCES UNLESS OTHERWISE SPECIFIED: 0 <XX<10 ± 0.2 10<XX<30 ± 0.25 30<XX ± 0.3 ANGLES ± 3°
MATERIAL SEE TABLE	FINISH

DWN KT JUNG	 AMP KOREA, Kyungsan, Korea
CHK JW JUNG	
APVD HG CHD	
PRODUCT SPEC -	NAME .090 SEALED 2P PLUG ASS'Y
APPLICATION SPEC -	SIZE A3
WEIGHT -	CAGE CODE 00779
CUSTOMER DRAWING	DRAWING NO C-936248
	RESTRICTED TO -
	SCALE 2/1 SHEET 1 OF 1 REV A1

ASSY P/N  
936248-2 (A1)