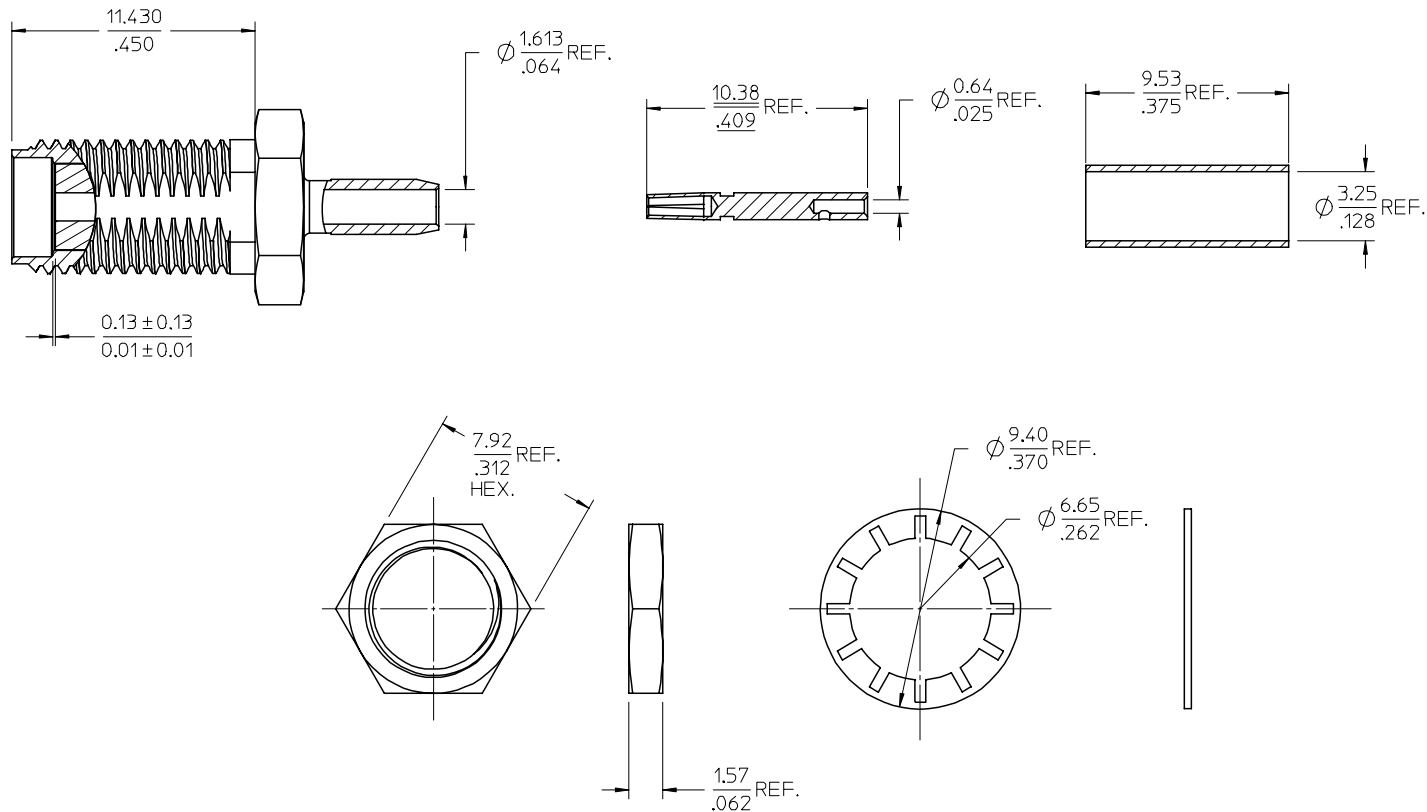
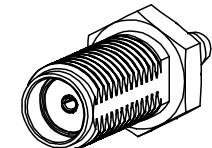


MATERIALS AND FINISHES

- J BODY STAINLESS STEEL
PLATED PASSIVATED
- I CENTER CONTACT BERYLLIUM COPPER
PLATED GOLD
- H INSULATOR TEFLON
- H CRIMP TUBE BRASS
PLATED NICKEL
- G JAM NUT STAINLESS STEEL
PLATED PASSIVATED
- G LOCK WASHER PHOSPHOR BRONZE
PLATED NICKEL



PART # 73251-1960

AS-89678-8940	CABLE ASSY. INSTRUCTION
PS-89675-1170	ELECTRO./MECH PERFORMANCE
MIL-STD-348A, FIG. 310-2	INTERFACE
SPECIFICATION	DESCRIPTION

73251-1961	73251-1960 BY TRAY (20 CAV.)
PART NO.	PACKAGING

QUALITY SYMBOLS $\blacktriangledown = 0$ $\nabla = 0$	GENERAL TOLERANCES (UNLESS SPECIFIED) mm INCH 4 PLACES ± --- ± --- 3 PLACES ± --- ± --- 2 PLACES ± --- ± --- 1 PLACE ± --- ± --- ANGULAR ± 2 °	DIMENSION STYLE MM/IN DRAWN BY DATE 2002/9/13 CHECKED BY DATE SSS 2002/9/13 APPROVED BY DATE GMH 2002/9/13	SCALE DESIGN UNITS METRIC THIRD ANGLE PROJECTION
	SMA JACK BULKHEAD FOR RG316/RG174/RG188 SMA-JC		MOLEX INCORPORATED SD-73251-196
DRAFT WHERE APPLICABLE MUST REMAIN WITHIN DIMENSIONS		SEE TABLE	SHEET NO. 1 OF 1

ADDED P/N: 73251-1961
 EC NO: URF2007-0497
 DRAWN: LIN 2007/06/15
 CHKD: 2007/06/21
 APPR: MHIANG 2007/06/21
 REVISION DESCRIPTION