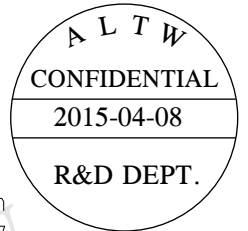
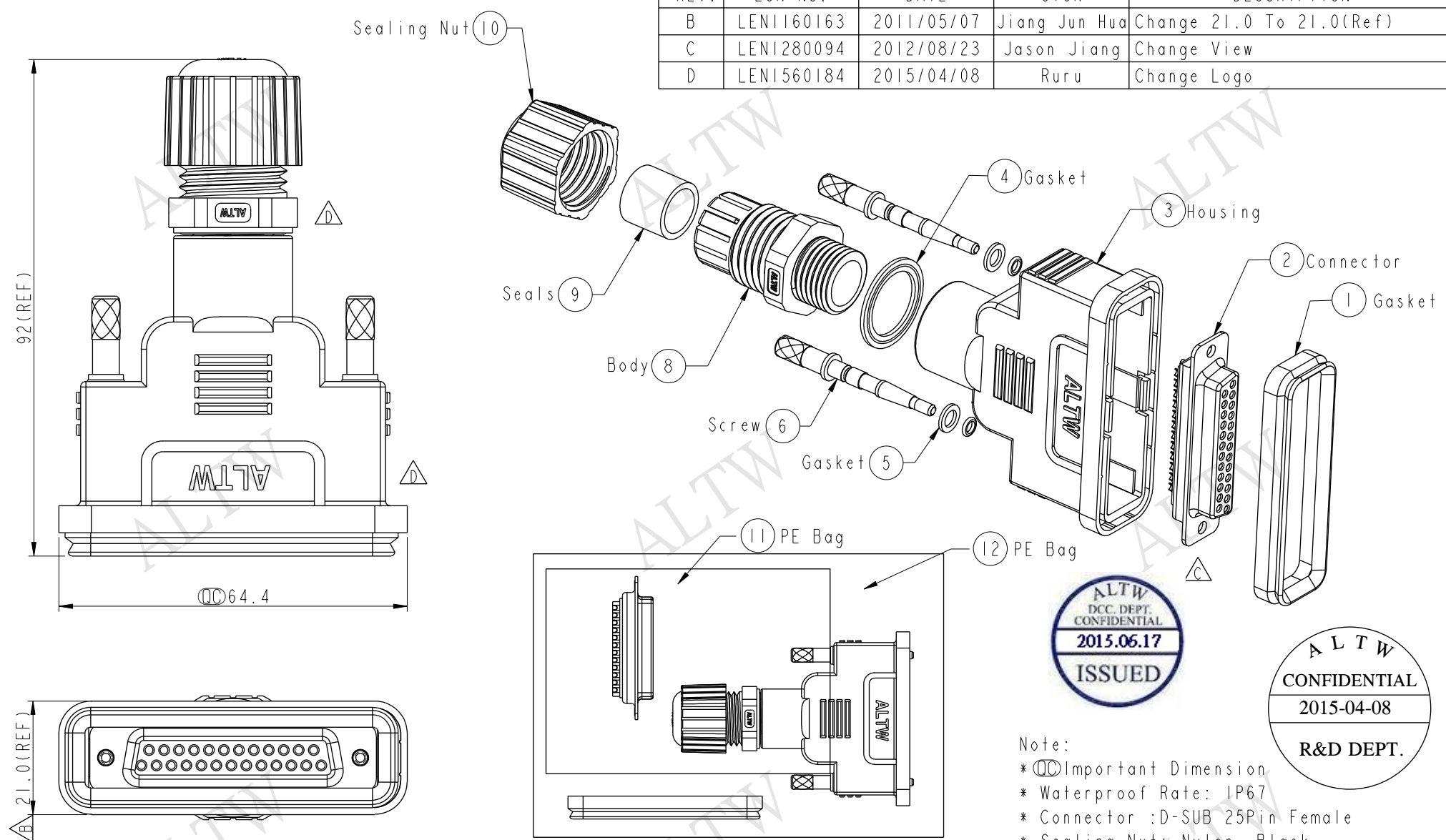


THIS DOCUMENT IS SUBJECT TO CHANGE WITHOUT NOTICE. IT IS CONFIDENTIAL AND A PROPERTY OF Amphenol LTW. DISCLOSURE TO THIRD PARTY HAS TO BE AUTHORIZED BY Amphenol LTW.

REV.	ECN NO.	DATE	SIGN	DESCRIPTION
B	LEN1160163	2011/05/07	Jiang Jun Hua	Change 21.0 To 21.0(Ref)
C	LEN1280094	2012/08/23	Jason Jiang	Change View
D	LEN1560184	2015/04/08	Ruru	Change Logo



Note:
 * \varnothing Important Dimension
 * Waterproof Rate: IP67
 * Connector : D-SUB 25Pin Female
 * Sealing Nut: Nylon, Black.
 * Seals For Cable OD: \varnothing 6.0mm~ \varnothing 10.0mm
 * One Set Unassembled In One PE Bag

UNIT:mm	
TOLERANCE	$\pm 0.5mm$

TITLE DSUB Conn Assy Screw DB25P F Conn F Pin			
SCALE 1:1	SIZE A4	SHEET 1 OF 1	
REV. D	WC-REV. A.3	\varnothing : Inspection item	

Amphenol LTW
 安費諾亮泰企業股份有限公司

ITEM NO SDB-25BFFA-SL7001	DRAWN BY Ruru	DATE 2015-04-08
DWG NO SDB-25BFFA-SL7001	CHECKED BY Rita	DATE 2015-04-08
CUSTOMER ALTW	APPROVED BY Lion	DATE 2015-04-08