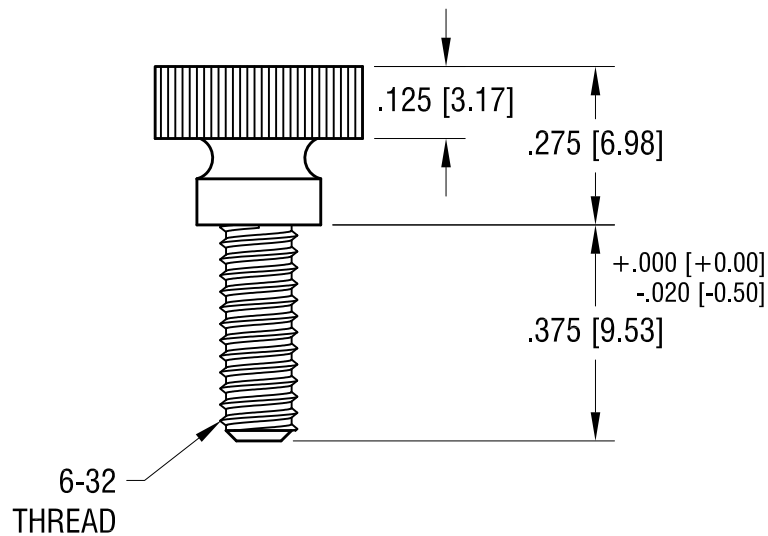
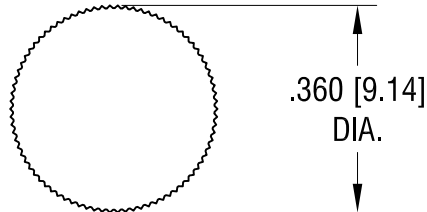
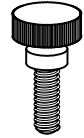


THIS DOCUMENT IS THE PROPERTY OF  
KEYSTONE ELECTRONICS CORP. AND  
SHALL NOT BE REPRODUCED, DISTRIBUTED  
OR USED AS A BASIS FOR MANUFACTURE  
WITHOUT PRIOR WRITTEN PERMISSION  
FROM KEYSTONE ELECTRONICS CORP.

ACTUAL SIZE



**KEYSTONE ELECTRONICS CORP.**

www.keyelco.com • ASTORIA, N.Y. 11105-2017 • Tel (718) 956-8900

PART NAME

KNURL HEAD THUMB SCREW

MATERIAL

NYLON 6/6

FINISH

-

DRN BY

NT

DATE

3.22.11

APP'D

LN

SCALE

3X

8.04.11 CHANGE AS PER ECN 11-100

A

TOLERANCES

INCH [MM]

DECIMAL ± .010 [± 0.25]

ANGULAR ± 1°  
UNLESS OTHERWISE SPECIFIED

CODE

C

DWG NO.

2504

DATE

DESCRIPTION

REV.