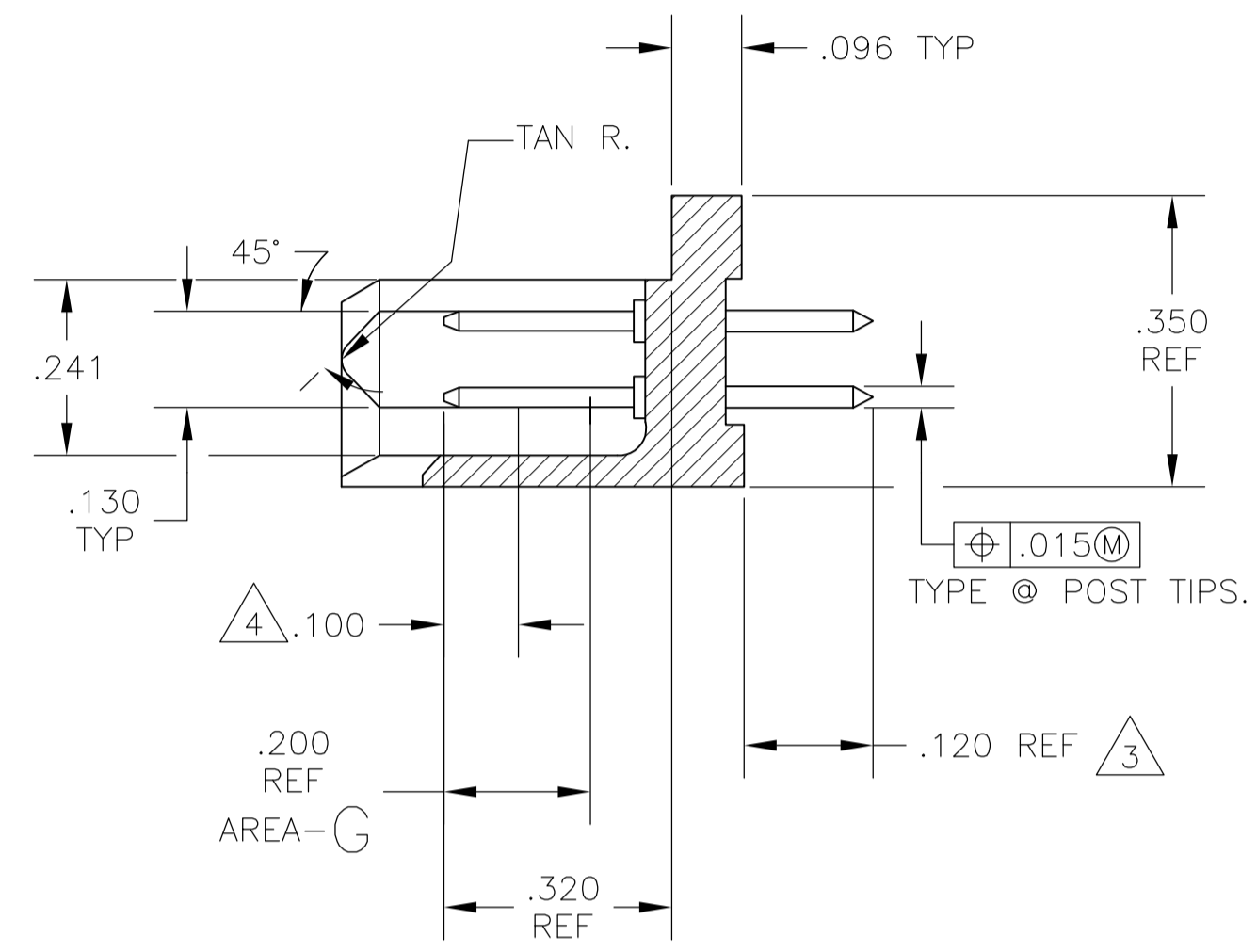
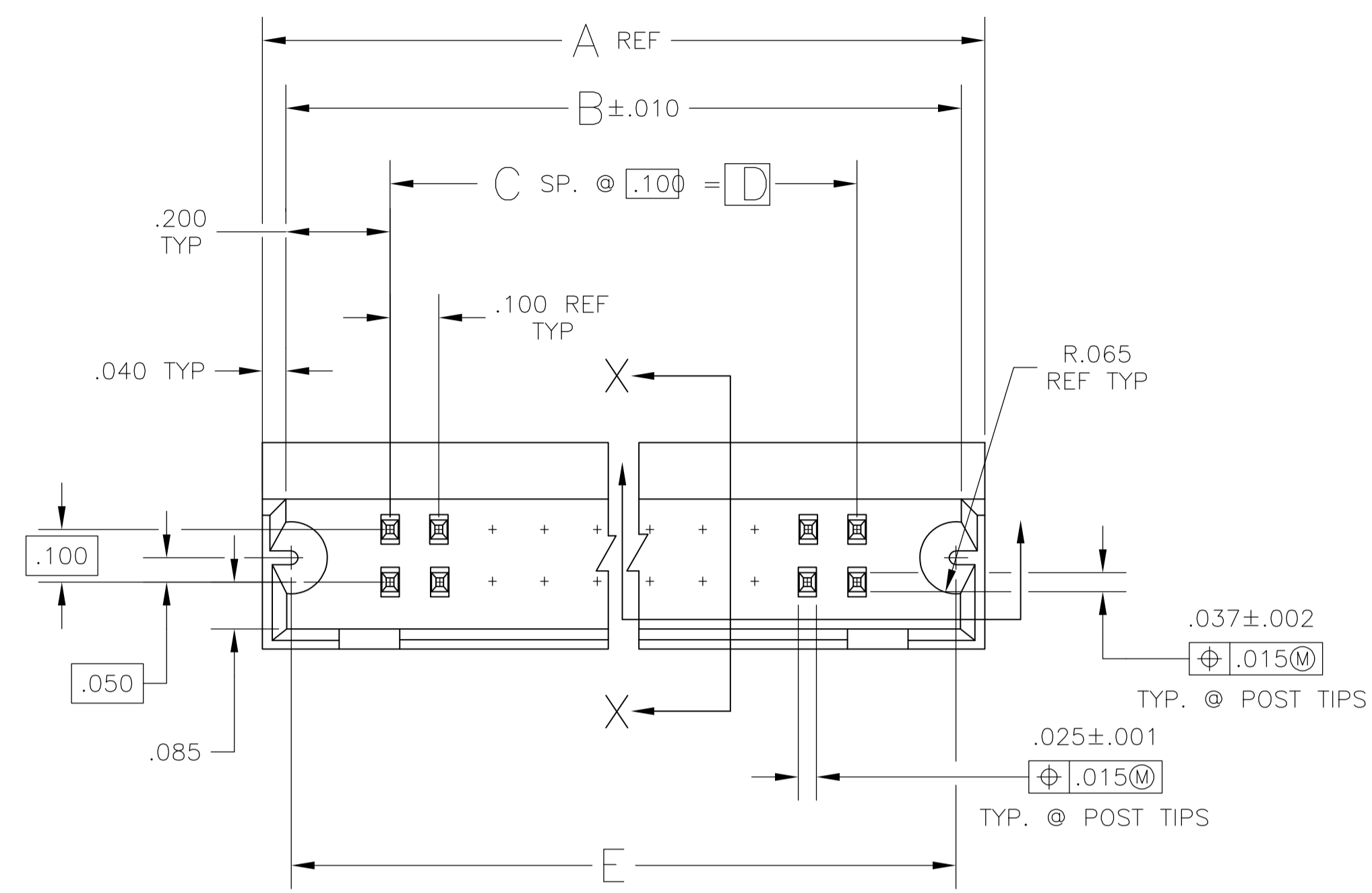
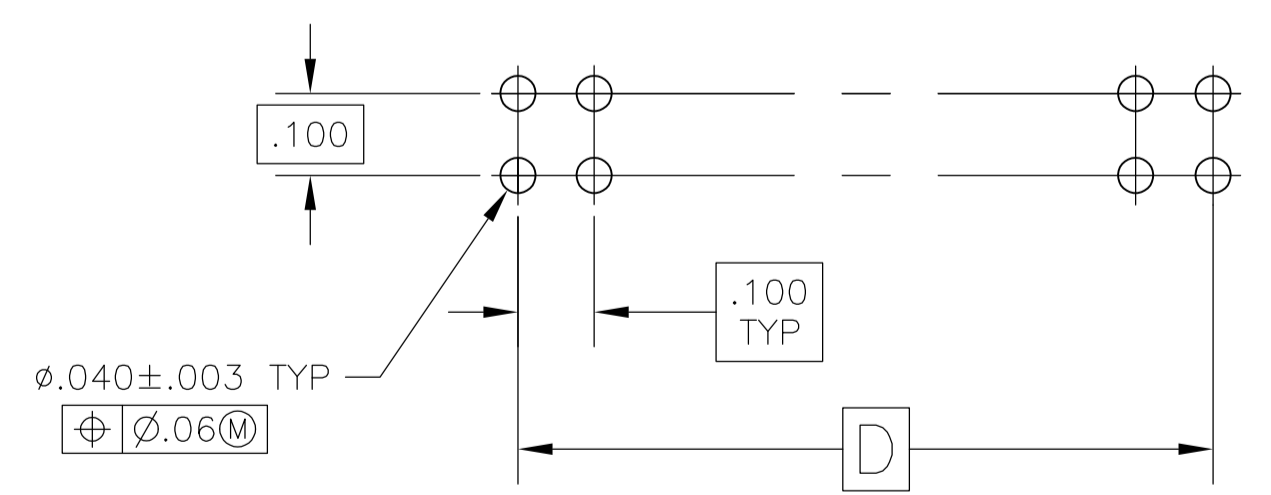
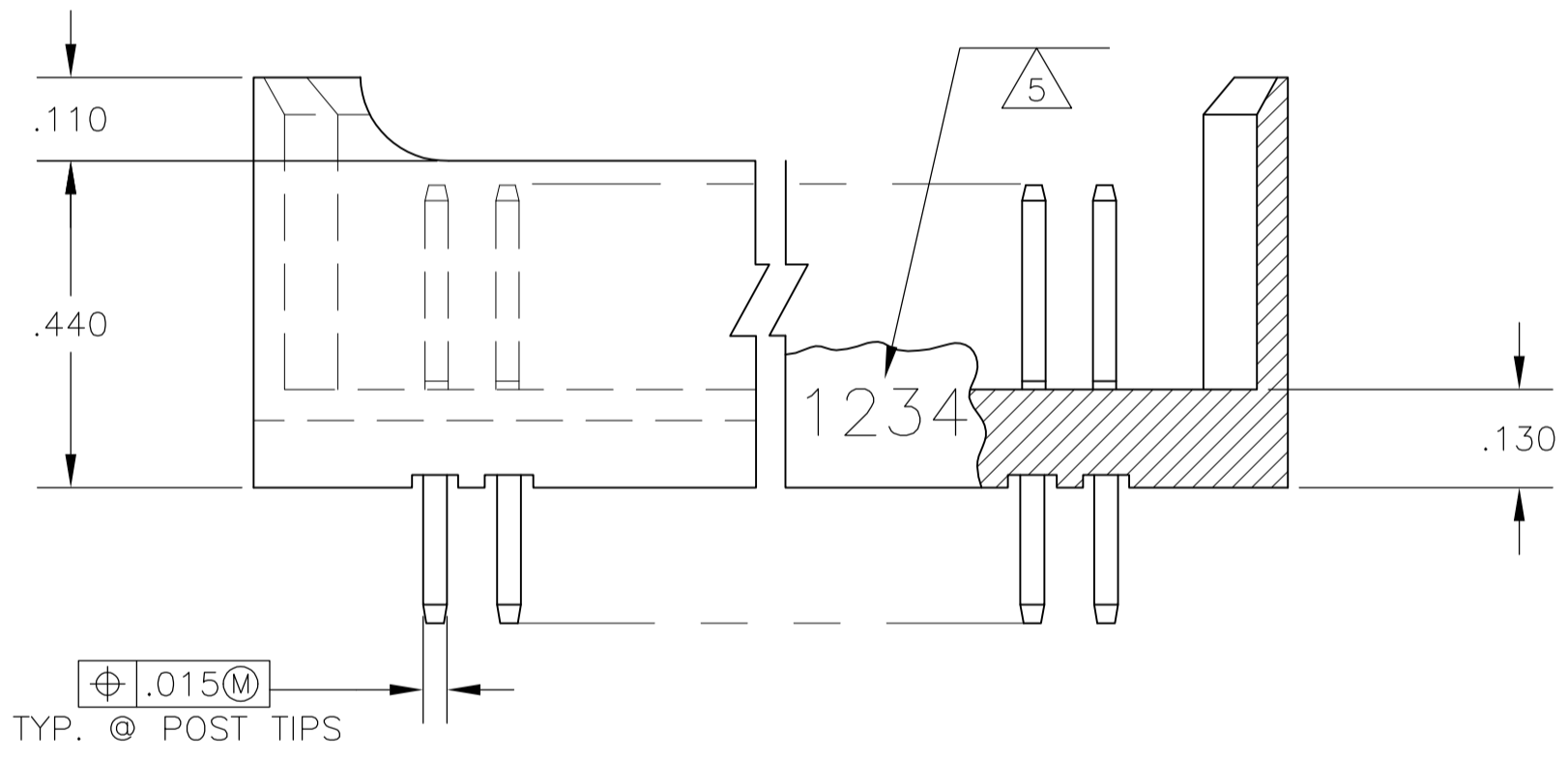


LOC		DIST		REVISIONS			
P	LTR	DESCRIPTION	DATE	DWN	APVD		
B1	ECO-06-016522		24AUG06	BSV	JO		
B2	REV PER ECO-10-000443		13JAN10	KK	AEG		



SECTION X-X



RECOMMENDED P.C. BOARD HOLE LAYOUT

NOTES:

- 1 HOUSING : FLAME RETARDANT THERMOPLASTIC, COLOR-BLACK.
- 2 CONTACT : COPPER ALLOY.
- 3 .00003 GOLD OVER .000050 NICKEL @ AREA "G", .000100-.000200 BRIGHT TIN-LEAD OVER .000050 NICKEL ON SOLDER POST AREA.
- 4 POINT OF MEASUREMENT FOR PLATING THICKNESS.
- 5 RECESSED DATE CODE.
- 6 .000030 GOLD OVER .000050 NICKEL AT AREA "G". .000100-.000200 MATTE TIN OVER .000050 NICKEL ON SOLDER POST AREA.
- 7 ROHS 2002/95/EC COMPLIANT.
- 8 OBSOLETE PARTS: OBSOLETE CIS STREAMLINING PER D.RENAUD/D.SINISI

	6	3.870	3.500	35	3.900	3.980	72	5-535516-9
	6	5.270	4.900	49	5.300	5.380	100	5-535516-8
	6	3.270	2.900	29	3.300	3.380	60	5-535516-5
	6	2.270	1.900	19	2.300	2.380	40	5-535516-4
	6	2.770	2.400	24	2.800	2.880	50	5-535516-3
	6	1.270	.900	9	1.300	1.380	20	5-535516-2
	6	1.770	1.400	14	1.800	1.880	30	5-535516-1
8	3	3.870	3.500	35	3.900	3.980	72	535516-9
OBSOLETE	3	5.270	4.900	49	5.300	5.380	100	535516-8
OBSOLETE	3	4.270	3.900	39	4.300	4.380	80	535516-7
OBSOLETE	3	3.770	3.400	34	3.800	3.880	70	535516-6
8	3	3.270	2.900	29	3.300	3.380	60	535516-5
OBSOLETE	3	2.270	1.900	19	2.300	2.380	40	535516-4
OBSOLETE	3	2.770	2.400	24	2.800	2.880	50	535516-3
OBSOLETE	3	1.270	.900	9	1.300	1.380	20	535516-2
8	3	1.770	1.400	14	1.800	1.880	30	535516-1
FINISH		E	D	C	B	A	NO. POSN.	PART NO.

THIS DRAWING IS A CONTROLLED DOCUMENT.

DIMENSIONS: INCHES	TOLERANCES UNLESS OTHERWISE SPECIFIED:	DIN 21MAR88	tyco Electronics	Tyco Electronics Corporation Harrisburg, Pa 17105-3608
0 PLC ± -	1 PLC ± -	21MAR88	NAME	HEADER ASSEMBLY, MOD II, DOUBLE ROW, .100 X .100 Q, .025 SQ. SOLDER POST.
2 PLC ± -	3 PLC ± .005	APVD 21MAR88	SIZE	CAGE CODE
4 PLC ± -	ANGLES ± -		WEIGHT	DRAWING NO
			A1	00779
			C=	535516
			CUSTOMER DRAWING	SCALE 4:1 SHEET 1 OF 1 REV B2