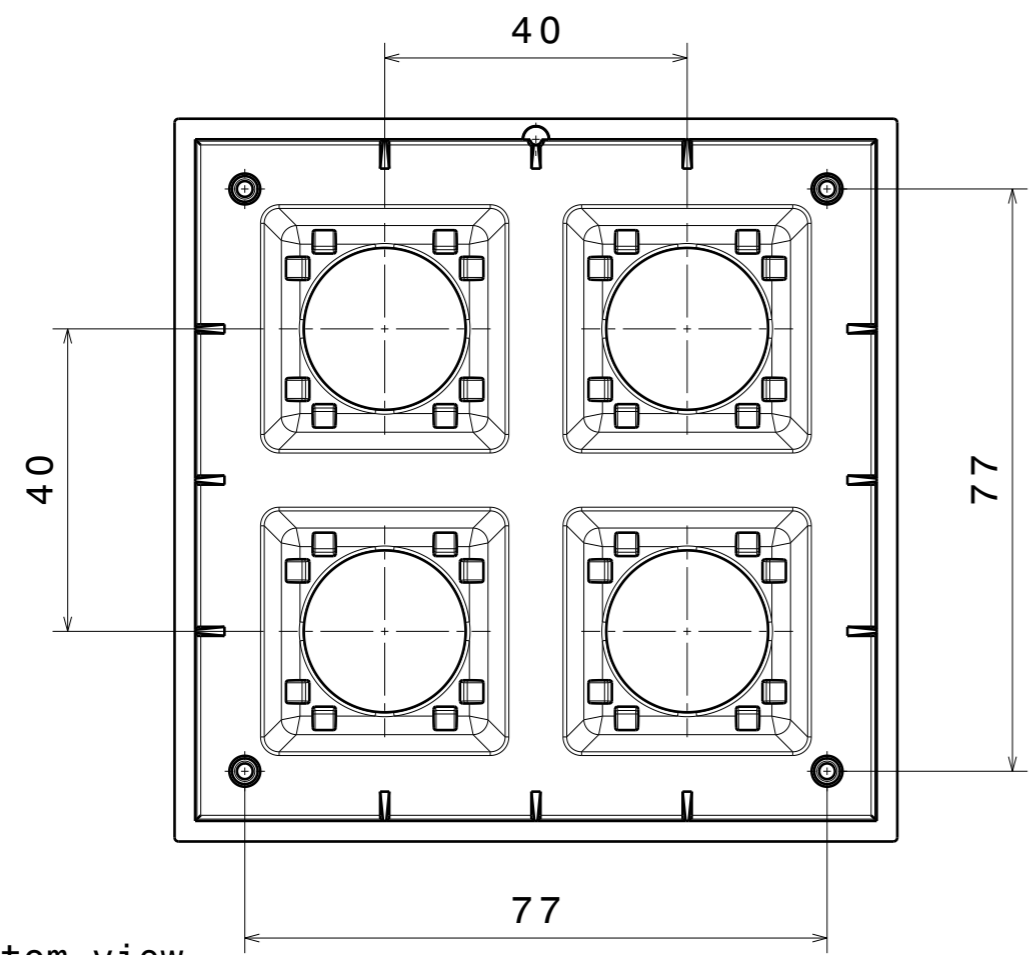
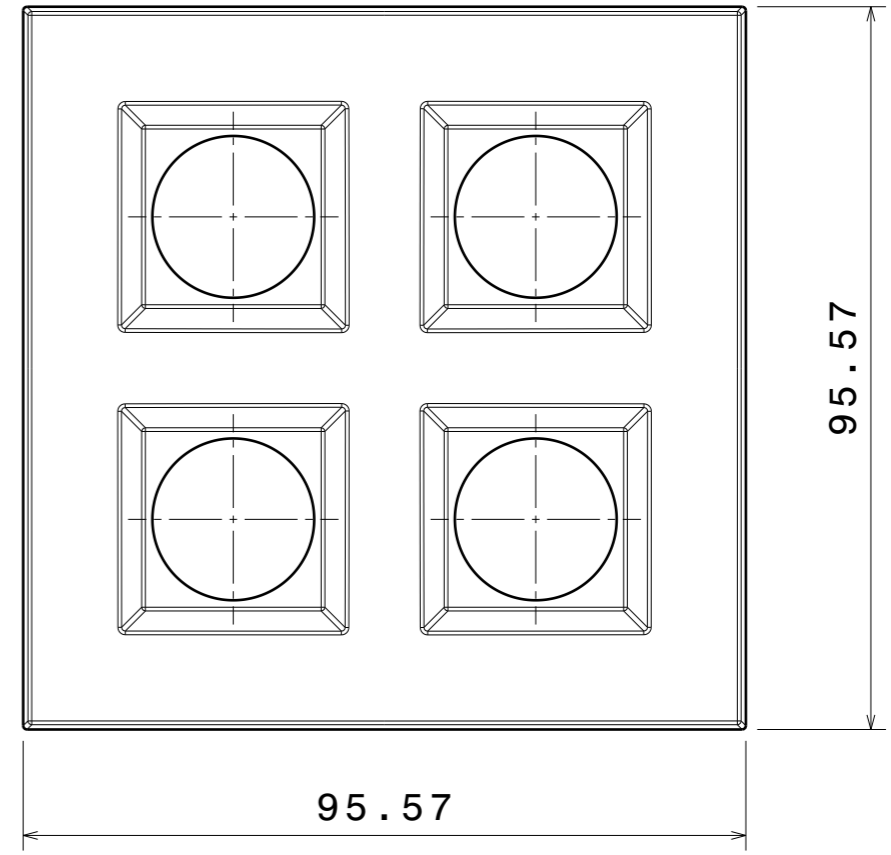


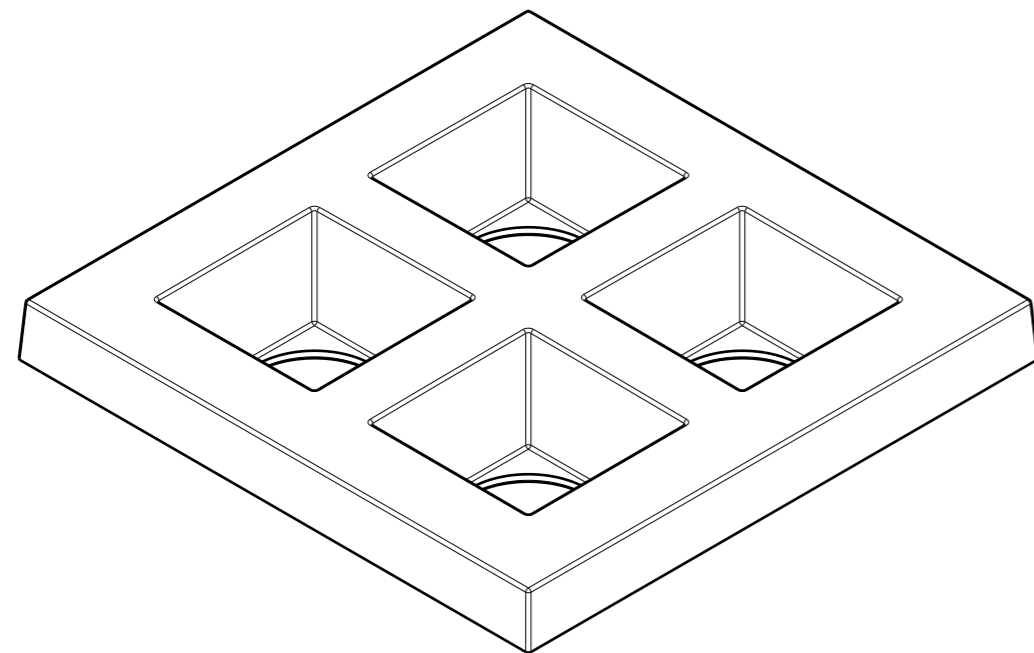
H G F E D C B A



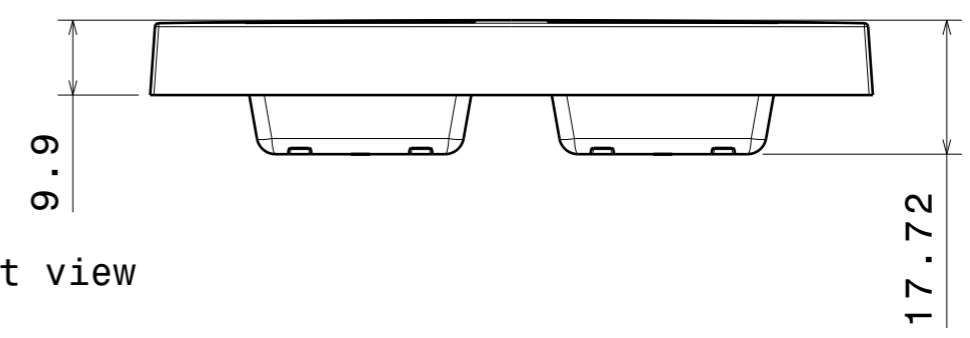
Bottom view



Top view



Isometric view



Front view

INDEX	PART NO	DESCRIPTION	MATERIAL	COLOUR
1	C14960	FLORENTINA-2X2-SHD-WHT	PC	white

Tolerances if not otherwise shown  
 According to DIN ISO 2768-1  
 Linear measures:  
 up to 30mm class M, otherwise class C  
 According to DIN ISO 2768-2  
 Form and position: class L

**LEDiL** LediL Oy  
 Salorankatu 10  
 FIN 24240 SALO  
 Finland

THIRD ANGLE PROJECTION:

DRAWING TITLE  
**C14960\_FLORENTINA-2X2-SHD-WHT**

This drawing is the property  
 of LEDiL Oy. It may not be  
 reproduced, copied or  
 communicated without a written  
 agreement with LEDiL Oy.

SIZE	PART NUMBER
<b>A3</b>	<b>C14960</b>

SCALE	1:1	WEIGHT	35,98 g	SHEET	1/1
-------	-----	--------	---------	-------	-----

H G B A